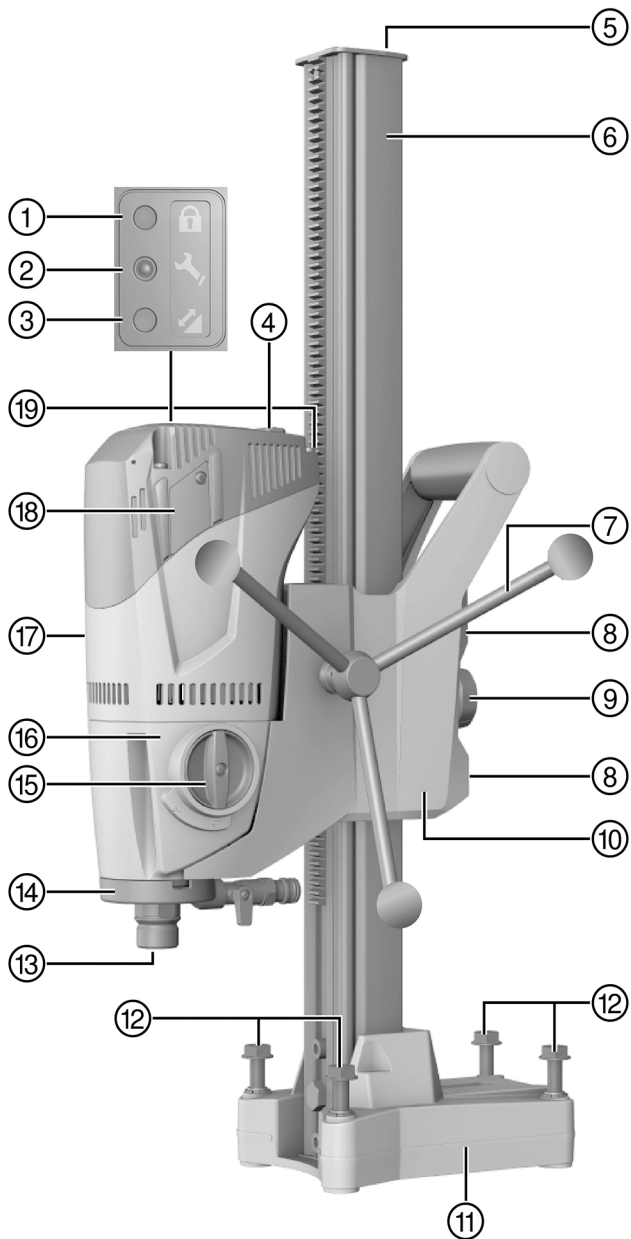
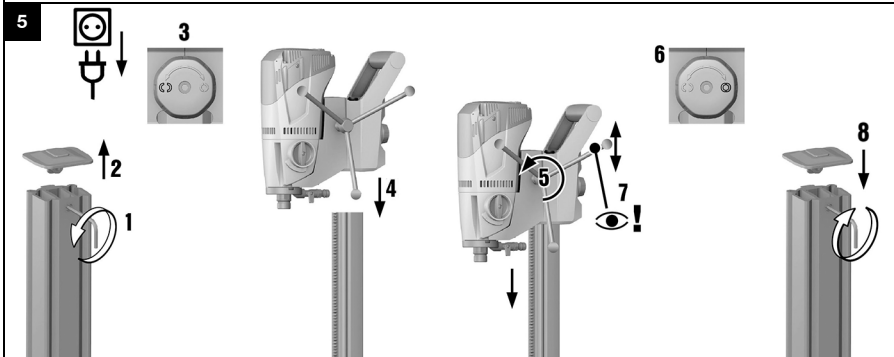
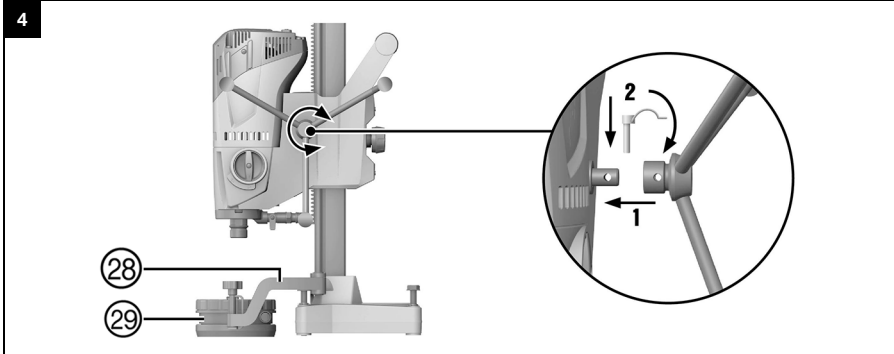
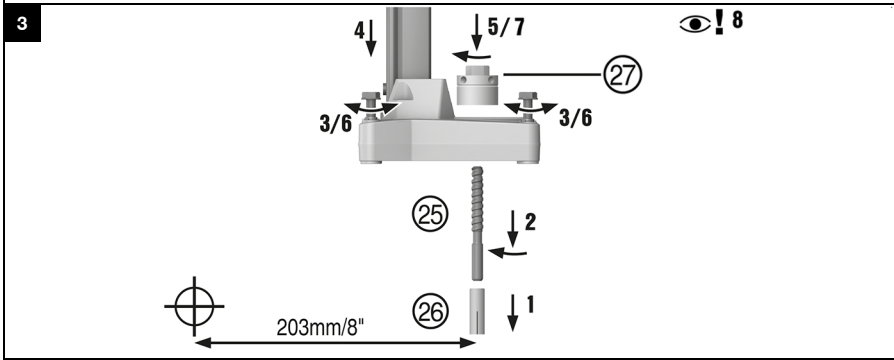
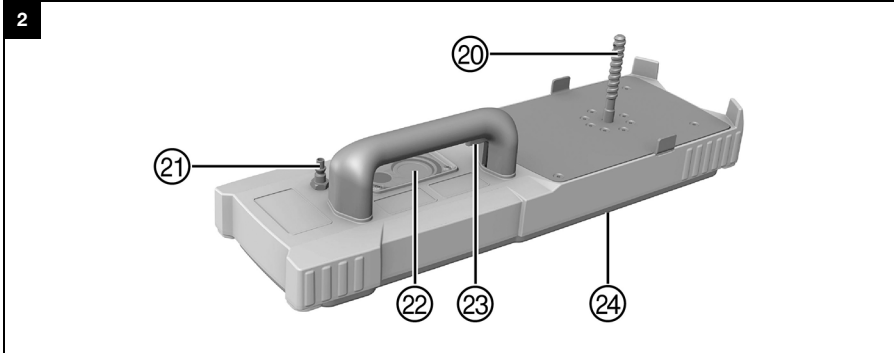


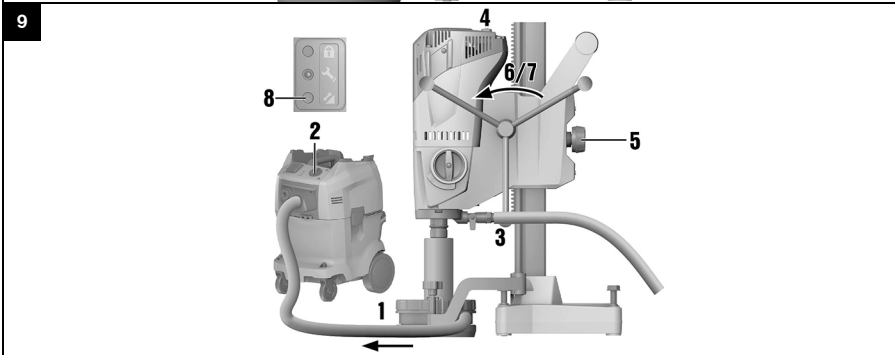
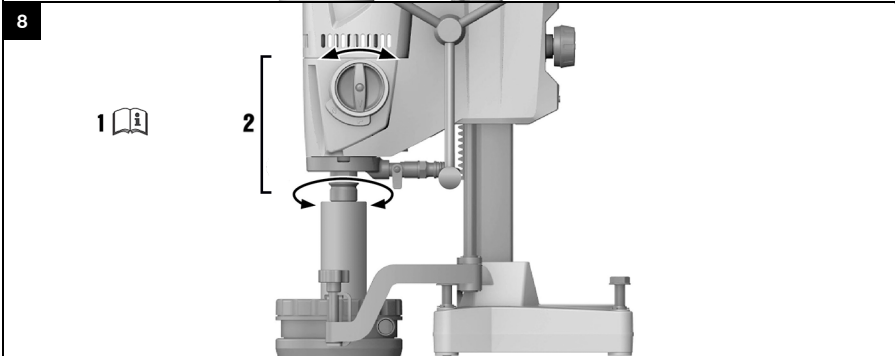
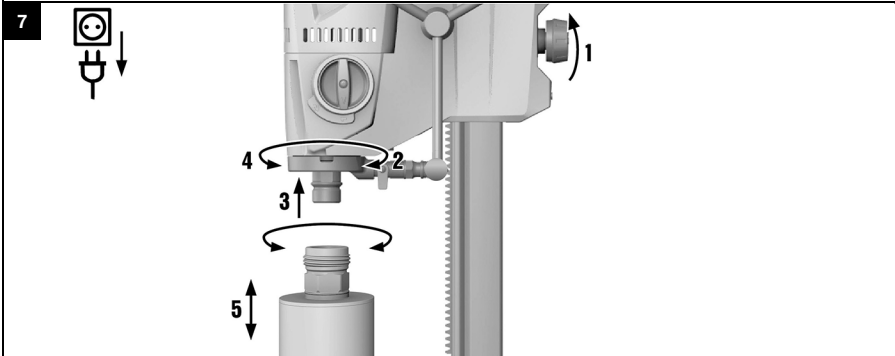
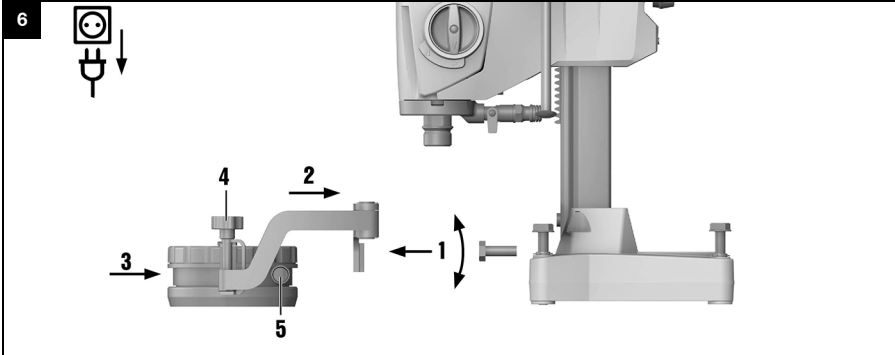


# DD 120

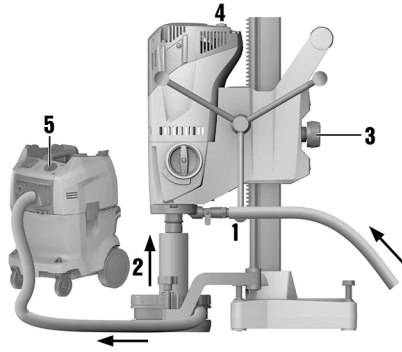
English	1
Français	20
Русский	40
Українська	61
Қазақ	82
Türkçe	102
عربي	121
日本語	140
한국어	158
繁體中文	175
中文	191



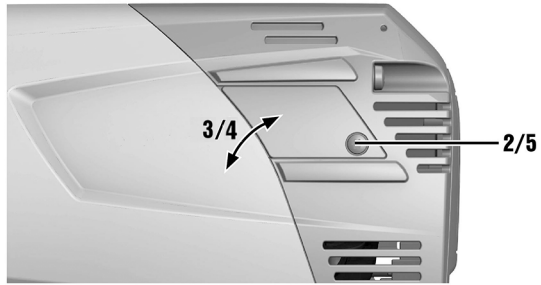




10



11



# DD 120

en	Original operating instructions . . . . .	1
fr	Mode d'emploi original . . . . .	20
ru	Оригинальное руководство по эксплуатации . . . . .	40
uk	Оригінальна інструкція з експлуатації . . . . .	61
kk	Түпнұсқа пайдалану бойынша нұсқаулық . . . . .	82
tr	Orijinal kullanım kılavuzu . . . . .	102
ar	دليل الاستعمال الأصلي! . . . . .	121
ja	オリジナル取扱説明書 . . . . .	140
ko	오리지널 사용 설명서 . . . . .	158
zh	原始操作說明 . . . . .	175
cn	原版操作说明 . . . . .	191

# 1 Information about the documentation

## 1.1 About this documentation

- Read this documentation before initial operation or use. This is a prerequisite for safe, trouble-free handling and use of the product.
- Observe the safety instructions and warnings in this documentation and on the product.
- Always keep the operating instructions with the product and make sure that the operating instructions are with the product when it is given to other persons.

## 1.2 Explanation of symbols used

### 1.2.1 Warnings

Warnings alert persons to hazards that occur when handling or using the product. The following signal words are used:



**DANGER !**

- ▶ Draws attention to imminent danger that will lead to serious personal injury or fatality.



**WARNING !**

- ▶ Draws attention to a potential threat of danger that can lead to serious injury or fatality.



**CAUTION !**

- ▶ Draws attention to a potentially dangerous situation that could lead to slight personal injury or damage to the equipment or other property.

### 1.2.2 Symbols in the documentation

The following symbols are used in this document:

	Read the operating instructions before use.
	Instructions for use and other useful information
	Dealing with recyclable materials
	Do not dispose of electric equipment and batteries as household waste

### 1.2.3 Symbols in the illustrations

The following symbols are used in illustrations:

	These numbers refer to the corresponding illustrations found at the beginning of these operating instructions
	The numbering reflects the sequence of operations shown in the illustrations and may deviate from the steps described in the text
	Item reference numbers are used in the <b>overview illustrations</b> and refer to the numbers used in the <b>product overview section</b>
	This symbol is intended to draw special attention to certain points when handling the product.

## 1.3 Product-dependent symbols

### 1.3.1 "Must do" symbols

The following "must do" symbols are used:



2215649

English

1

	Wear eye protection
	Wear a hard hat
	Wear ear protection
	Wear protective gloves
	Wear protective footwear
	Wear light respiratory protection

### 1.3.2 Symbols on the product

The following symbols can be used on the product:

	Theft protection indicator
	Service indicator
	Drilling performance indicator
	Protective ground
$n_0$	Rated speed under no load
	Wireless data transfer

## 1.4 Information notices

### On the drill stand, base plate or diamond core drilling machine

	<p><b>On the vacuum base plate</b></p> <p><b>Upper half of the image:</b> An additional means of securing the drill stand must be employed when the machine is used for horizontal drilling with the vacuum securing method.</p> <p><b>Lower half of the image:</b> Use of the vacuum securing method without an additional means of securing is prohibited for drilling in an upward direction.</p>
	<p><b>On the diamond core drilling machine</b></p> <p>Use of the water collection system in conjunction with a wet-type industrial vacuum extractor is a mandatory requirement for working overhead.</p>
	<p><b>On the diamond core drilling machine</b></p> <p>Operate the system only with a fully functional PRCD.</p>





## 1.5 Product information

**HILTI** products are designed for professional users and only trained, authorized personnel are permitted to operate, service and maintain the products. This personnel must be specifically informed about the possible hazards. The product and its ancillary equipment can present hazards if used incorrectly by untrained personnel or if used not in accordance with the intended use.

The type designation and serial number are printed on the rating plate.

- ▶ Write down the serial number in the table below. You will be required to state the product details when contacting Hilti Service or your local Hilti organization to inquire about the product.

### Product information

Diamond core drilling machine	DD 120
Generation	01
Serial no.	

## 1.6 Declaration of conformity

We declare, on our sole responsibility, that the product described here complies with the applicable directives and standards. A copy of the declaration of conformity can be found at the end of this documentation.

The technical documentation is filed here:

Hilti Entwicklungsgesellschaft mbH | Tool Certification | Hiltistrasse 6 | 86916 Kaufering, Germany

## 2 Safety

### 2.1 General power tool safety warnings

**⚠ WARNING** Read all safety warnings, instructions, illustrations and specifications provided with this power tool. Failure to follow all instructions listed below may result in electric shock, fire and/or serious injury. Save all warnings and instructions for future reference.

The term "power tool" in the warnings refers to your mains-operated (corded) power tool or battery-operated (cordless) power tool.

#### Work area safety

- ▶ **Keep work area clean and well lit.** Cluttered or dark areas invite accidents.
- ▶ **Do not operate power tools in explosive atmospheres, such as in the presence of flammable liquids, gases or dust.** Power tools create sparks which may ignite the dust or fumes.
- ▶ **Keep children and bystanders away while operating a power tool.** Distractions can cause you to lose control.

#### Electrical safety

- ▶ **Power tool plugs must match the outlet. Never modify the plug in any way. Do not use any adapter plugs with earthed (grounded) power tools.** Unmodified plugs and matching outlets will reduce risk of electric shock.
- ▶ **Avoid body contact with earthed or grounded surfaces, such as pipes, radiators, ranges and refrigerators.** There is an increased risk of electric shock if your body is earthed or grounded.
- ▶ **Do not expose power tools to rain or wet conditions.** Water entering a power tool will increase the risk of electric shock.
- ▶ **Do not abuse the cord. Never use the cord for carrying, pulling or unplugging the power tool. Keep cord away from heat, oil, sharp edges or moving parts.** Damaged or entangled cords increase the risk of electric shock.
- ▶ **When operating a power tool outdoors, use an extension cord suitable for outdoor use.** Use of a cord suitable for outdoor use reduces the risk of electric shock.
- ▶ **If operating a power tool in a damp location is unavoidable, use a residual current device (RCD) protected supply.** Use of an RCD reduces the risk of electric shock.

#### Personal safety

- ▶ **Stay alert, watch what you are doing and use common sense when operating a power tool. Do not use a power tool while you are tired or under the influence of drugs, alcohol or medication.** A moment of inattention while operating power tools may result in serious personal injury.
- ▶ **Use personal protective equipment. Always wear eye protection.** Protective equipment such as a dust mask, non-skid safety shoes, hard hat or hearing protection used for appropriate conditions will reduce personal injuries.



2215649

English

3

- ▶ **Prevent unintentional starting. Ensure the switch is in the off-position before connecting to power source and/or battery pack, picking up or carrying the tool.** Carrying power tools with your finger on the switch or energising power tools that have the switch on invites accidents.
- ▶ **Remove any adjusting key or wrench before turning the power tool on.** A wrench or a key left attached to a rotating part of the power tool may result in personal injury.
- ▶ **Do not overreach. Keep proper footing and balance at all times.** This enables better control of the power tool in unexpected situations.
- ▶ **Dress properly. Do not wear loose clothing or jewellery. Keep your hair, clothing and gloves away from moving parts.** Loose clothes, jewellery or long hair can be caught in moving parts.
- ▶ **If devices are provided for the connection of dust extraction and collection facilities, ensure these are connected and properly used.** Use of dust collection can reduce dust-related hazards.
- ▶ **Do not let familiarity gained from frequent use of tools allow you to become complacent and ignore tool safety principles.** A careless action can cause severe injury within a fraction of a second.

#### Power tool use and care

- ▶ **Do not force the power tool. Use the correct power tool for your application.** The correct power tool will do the job better and safer at the rate for which it was designed.
- ▶ **Do not use the power tool if the switch does not turn it on and off.** Any power tool that cannot be controlled with the switch is dangerous and must be repaired.
- ▶ **Disconnect the plug from the power source and/or remove the battery pack, if detachable, from the power tool before making any adjustments, changing accessories, or storing power tools.** Such preventive safety measures reduce the risk of starting the power tool accidentally.
- ▶ **Store idle power tools out of the reach of children and do not allow persons unfamiliar with the power tool or these instructions to operate the power tool.** Power tools are dangerous in the hands of untrained users.
- ▶ **Maintain power tools and accessories. Check for misalignment or binding of moving parts, breakage of parts and any other condition that may affect the power tool's operation. If damaged, have the power tool repaired before use.** Many accidents are caused by poorly maintained power tools.
- ▶ **Keep cutting tools sharp and clean.** Properly maintained cutting tools with sharp cutting edges are less likely to bind and are easier to control.
- ▶ **Use the power tool, accessories and tool bits etc. in accordance with these instructions, taking into account the working conditions and the work to be performed.** Use of the power tool for operations different from those intended could result in a hazardous situation.
- ▶ **Keep handles and grasping surfaces dry, clean and free from oil and grease.** Slippery handles and grasping surfaces do not allow for safe handling and control of the tool in unexpected situations.

#### Service

- ▶ **Have your power tool serviced by a qualified repair person using only identical replacement parts.** This will ensure that the safety of the power tool is maintained.

## 2.2 Diamond drill safety warnings

- ▶ **When performing drilling that requires the use of water, route the water away from the operator's work area or use a liquid collection device.** Such precautionary measures keep the operator's work area dry and reduce the risk of electrical shock.
- ▶ **Operate power tool by insulated grasping surfaces, when performing an operation where the cutting accessory may contact hidden wiring or its own cord.** Cutting accessory contacting a "live" wire may make exposed metal parts of the power tool "live" and could give the operator an electric shock.
- ▶ **Wear hearing protection when diamond drilling.** Exposure to noise can cause hearing loss.
- ▶ **When the bit is jammed, stop applying downward pressure and turn off the tool.** Investigate and take corrective actions to eliminate the cause of the bit jamming.
- ▶ **When restarting a diamond drill in the workpiece check that the bit rotates freely before starting.** If the bit is jammed, it may not start, may overload the tool, or may cause the diamond drill to release from the workpiece.
- ▶ **When securing the drill stand with anchors and fasteners to the workpiece, ensure that the anchoring used is capable of holding and restraining the machine during use.** If the workpiece is weak or porous, the anchor may pull out causing the drill stand to release from the workpiece.
- ▶ **When securing the drill stand with a vacuum pad to the workpiece, install the pad on a smooth, clean, non-porous surface. Do not secure to laminated surfaces such as tiles and composite coating.** If the workpiece is not smooth, flat or well affixed, the pad may pull away from the workpiece.



- ▶ **Ensure there is sufficient vacuum before and during drilling.** If the vacuum is insufficient, the pad may release from the workpiece.
- ▶ **Never perform drilling with the machine secured by the vacuum pad only, except when drilling downwards.** If the vacuum is lost, the pad will release from the workpiece.
- ▶ **When drilling through walls or ceilings, ensure to protect persons and the work area on the other side.** The bit may extend through the hole or the core may fall out on the other side.
- ▶ **When drilling overhead, always use the liquid collection device specified in the instructions. Do not allow water to flow into the tool.** Water entering the power tool will increase the risk of electric shock.

## 2.3 Additional safety instructions

### Personal safety

- ▶ **Do not tamper with or attempt to make alterations to the machine.**
- ▶ **The machine is not intended for use by debilitated persons who have received no special training.**
- ▶ Keep the machine out of reach of children.
- ▶ **Do not touch rotating parts. Switch the machine on only after it is in position at the workpiece.** Touching rotating parts, especially rotating accessory tools, can result in injury.
- ▶ **Avoid skin contact with drilling slurry.**
- ▶ Dust from materials such as lead-based paint, certain types of wood and concrete/masonry/stone containing quartz, minerals or metal can be harmful to health. Contact with or inhalation of the dust can cause allergic reactions and/or respiratory or other diseases among operators or bystanders. Certain kinds of dust such as oakwood and beechwood dust are classified as carcinogenic, especially in conjunction with additives for wood conditioning (chromate, wood preservative). Only specialists are permitted to handle material containing asbestos. Use as effective a dust removal system as possible. To achieve a high level of dust collection, use a suitable vacuum extractor of the type recommended by Hilti for wood dust and/or mineral dust and which is designed for use with this power tool. Make sure that the workplace is well ventilated. It is advisable to wear a respirator appropriate for the type of dust generated. Comply with national regulations applicable to the materials you will be working with.
- ▶ The diamond core drilling machine and the diamond core bit are heavy. There is a risk of crushing parts of the body. **The user and persons in the vicinity must wear suitable protective goggles, a hard hat, ear defenders, protective gloves and protective footwear while the machine is in use.**

### Power tool use and care

- ▶ **Make sure that the machine is correctly secured to the drill stand.**
- ▶ **Always make sure that an end stop is installed on the drill stand as otherwise the safety-relevant end-stop function is not implemented.**
- ▶ **Check that accessory tools are compatible with the machine's chuck/drive system and that they are installed and secured correctly.**

### Electrical safety

- ▶ **Do not use extension cords with multiple power outlets powering two or more devices in operation at the same time.**
- ▶ **Operate the machine only when it is connected to an adequately rated power supply with a ground conductor.**
- ▶ **Before beginning work, check the working area (e.g. using a metal detector) to ensure that no concealed electric cables or gas and water pipes are present.** External metal parts of the machine can become live, for example if you inadvertently damage electric wiring. This constitutes a serious risk of electric shock.
- ▶ **Make sure that the supply cord cannot be damaged as the carriage advances.**
- ▶ **Never operate the machine without the accompanying PRCD (machines without PRCD: Never operate the machine without an isolating transformer). Test the PRCD each time before use.**
- ▶ **Check the machine's supply cord at regular intervals and have it replaced by a qualified specialist if found to be damaged. If the machine's supply cord is damaged it must be replaced with a specially prepared and approved supply cord available from Hilti Customer Service. Check extension cords at regular intervals and replace them if found to be damaged. Do not touch the supply cord or extension cord if it is damaged while working. Disconnect the supply cord plug from the power outlet. Damaged supply cords or extension cords present a risk of electric shock.**
- ▶ **Never operate the machine when it is dirty or wet.** Dust (especially dust from conductive materials) or dampness adhering to the surface of the machine may, under unfavorable conditions, lead to electric shock. Dirty or dusty machines should thus be checked by Hilti Service at regular intervals, especially if used frequently for working on conductive materials.



**Workplace**

- ▶ **Approval must be obtained from the site engineer or architect prior to beginning drilling work.** Drilling work on buildings and other structures may influence the static equilibrium of the structure, especially when steel reinforcing bars or load-bearing components are cut through.
- ▶ **If the drill stand has not been fastened correctly, always move the machine mounted on the drill stand all the way down in order to prevent the stand from falling over.**
- ▶ **Keep the supply cord, extension cord, water hose and vacuum hose away from rotating parts of the machine.**
- ▶ **Use of the water collection system in conjunction with a wet-type industrial vacuum extractor is a mandatory requirement for wet drilling overhead.**
- ▶ **Use of the vacuum securing method without an additional means of fastening is prohibited for drilling in an upward direction.**
- ▶ **An additional means of securing the drill stand must be employed when the machine is secured with the vacuum securing method (accessory) for horizontal drilling.**

### 3 Description

---

#### 3.1 Intended use

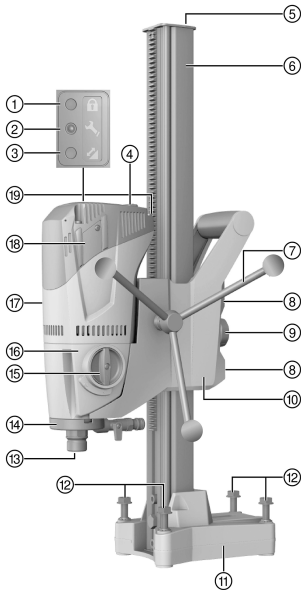
The product described is an electrically powered diamond core drilling machine. It is designed for drilling through-holes and blind holes in (reinforced) mineral base materials using a drill stand and the wet drilling technique. **Hand-held use of the diamond core drilling machine is not permitted.**

The product described is designed for professional use and only trained, authorized personnel are permitted to operate, service and maintain the product. This personnel must be specifically informed about the possible hazards. The product described and its ancillary equipment can present hazards if used incorrectly by untrained personnel or if used not in accordance with the intended use.

- ▶ Always use a drill stand when using the diamond core drilling machine. The drill stand must be sufficiently anchored in the base material by an anchor base plate or vacuum base plate.
- ▶ Do not use a hammer or other heavy object to adjustment the base plate.
- ▶ Operate the machine only when it is connected to a power supply providing a voltage and frequency in compliance with the information given on its type identification plate.
- ▶ Comply with national health and safety requirements.
- ▶ Comply with the safety rules and operating instructions for the accessories used.
- ▶ To reduce the risk of injury, use only genuine **Hilti** core bits and accessories.



## 3.2 Parts and operating controls 1



### DD 120 diamond core drilling system

- ① Theft protection indicator (optional)
- ② Service indicator
- ③ Drilling performance indicator
- ④ On/off switch
- ⑤ End stop
- ⑥ Rail
- ⑦ Hand wheel
- ⑧ Adjusting screws for carriage play (4x)
- ⑨ Carriage lock
- ⑩ Carriage
- ⑪ Anchor base plate
- ⑫ Leveling screws (4x)
- ⑬ Chuck
- ⑭ Water swivel
- ⑮ Gear switch
- ⑯ Gearing section
- ⑰ Motor
- ⑱ Carbon-brush cover
- ⑲ Supply cord with PRCD

### 3.2.1 Vacuum base plate (accessory) 2

- ⑳ Clamping spindle
- ㉑ Vacuum hose connector
- ㉒ Pressure gauge
- ㉓ Vacuum relief valve
- ㉔ Vacuum seal

### 3.2.2 Fastening accessories 3

- ㉕ Clamping spindle
- ㉖ Anchor
- ㉗ Clamping spindle nut

### 3.2.3 Water collection system 4

- ㉘ Water collector holder
- ㉙ Water collector

## 3.3 Service indicator

The product is equipped with a service indicator LED.

## 3.4 Items supplied

Diamond core drilling machine, hand wheel, operating instructions.

The drill stand is supplied as a separate unit. Other system products approved for use with this product can be found at your local **Hilti Store** or at: [www.hilti.group](http://www.hilti.group).

## 3.5 Using a generator or transformer

This machine can be powered by a generator or transformer when the following conditions are fulfilled: The generator or transformer's power output must be at least twice the rated input power shown on the machine's type identification plate, the operating voltage of the transformer or generator must always be within +5 % and -15 % of the machine's rated voltage and the frequency must be 50 to 60 Hz and never above 65 Hz and the transformer or generator must have automatic voltage regulation with starting boost.



2215649

English

7



Switching other power tools, machines or appliances on and off can cause undervoltage and/or overvoltage peaks, resulting in damage to the machine.

## 4 Technical data

### 4.1 Technical data

<b>Weight (600 mm rail) in accordance with EPTA procedure 01</b>	9.8 kg
<b>Max. permissible water supply pressure</b>	6 bar
<b>Rated speed under no load, 1st gear</b>	740 /min
<b>Rated speed under no load, 2nd gear</b>	1,580 /min
<b>Dimensions of drill stand, short rail (L x W x H)</b>	330 mm x 147 mm x 600 mm
<b>Dimensions of drill stand, medium-length rail (L x W x H)</b>	330 mm x 147 mm x 720 mm
<b>Dimensions of drill stand, long rail (L x W x H)</b>	330 mm x 147 mm x 830 mm
<b>Protection class</b>	Protection class I (earthed)

### 4.2 Gears and corresponding core bit diameters



\* Your machine's core bit diameter is stated on the type identification plate.

Second gear can be used to achieve faster progress when drilling holes up to  $\varnothing$  82 mm (3 1/2 in) in lightly reinforced concrete.

Gear	Core bit diameter	Idling speed
1	57 ... 132 (*162) mm	740 /min
2	16 ... 52 mm	1,580 /min

### 4.3 Noise information and vibration values in accordance with EN 62841

The sound pressure and vibration values given in these instructions were measured in accordance with a standardized test and can be used to compare one power tool with another. They can also be used for a preliminary assessment of exposure.

The data given represent the main applications of the power tool. However, if the power tool is used for different applications, with different accessory tools, or is poorly maintained, the data can vary. This can significantly increase exposure over the total working period.

An accurate estimation of exposure should also take into account the times when the tool is switched off, or when it is running but not actually being used for a job. This can significantly reduce exposure over the total working period.

Identify additional safety measures to protect the operator from the effects of noise and/or vibration, for example: maintaining the power tool and accessory tools, keeping the hands warm, organization of work patterns.

#### Noise information

<b>Typical A-weighted sound power level</b>	102 dB
<b>Typical A-weighted emission sound pressure level</b>	89 dB
<b>Uncertainty for the given sound pressure level</b>	3 dB

#### Vibration values

<b>Drilling in concrete (wet), <math>a_h</math></b>	2.5 m/s <sup>2</sup>
<b>Uncertainty (K)</b>	1.5 m/s <sup>2</sup>



## 5 Preparations at the workplace

### WARNING

**Risk of injury!** The drill stand can rotate or topple if not securely fastened.

- ▶ Before using the diamond core drilling machine, secure the drill stand to the work surface with anchors or with a vacuum base plate.
- ▶ Use only anchors suitable for the base material and comply with the anchor manufacturer's instructions.
- ▶ Use a vacuum base plate only when the work surface is suitable for securing the drill stand by the vacuum method.

### 5.1 Install the hand wheel on the diamond core drilling machine

1. Remove the retaining pin and fit the hand wheel on to the shaft.
2. Secure the hand wheel by inserting the retaining pin.



The hand wheel can be installed on either side of the carriage.

### 5.2 Securing the diamond core drilling machine to the drill stand

#### CAUTION

**Risk of injury** Hazard presented by inadvertent starting of the diamond core drilling machine.

- ▶ The diamond core drilling machine should not be connected to the power supply during set-up.
1. Use the hex key to slacken the screw on the inside.
  2. Remove the end stop from the rail.
  3. Open the carriage lock by turning the knob all the way in the opening direction.
  4. Using the opening provided for the purpose, set the diamond core drilling machine on the rail.
  5. Use the hand wheel to advance the diamond core drilling machine fully on to the rail.
  6. Lock the diamond core drilling machine by fully tightening the carriage lock.
  7. Check that the diamond core drilling machine is locked by lightly turning the hand wheel.
  8. Install the end stop on the rail and check that it is secure.



Check carriage play; adjust if necessary. → page 15

### 5.3 Securing the drill stand with an anchor

#### WARNING

**Risk of injury due to use of wrong anchors!** The machine can break loose and cause damage.

- ▶ Use anchors suitable for the material on which you are working and observe the anchor manufacturer's instructions.



Hilti metal expansion anchors M12 are usually suitable for use as anchors for diamond core drilling equipment in uncracked concrete. Under certain conditions, however, it may be necessary to use an alternative fastening method. Contact **Hilti** Technical Service if you have questions about secure fastening.

1. Set an anchor suitable for the base material at a distance of 203 mm (8 in) from where the center point of the drillhole will be.
2. Screw the clamping spindle into the anchor.
3. Back off all leveling screws until the base plate is flush with the surface.
4. Slip the drill stand over the clamping spindle and align the drill stand.
5. Screw the clamping spindle nut on to the clamping spindle but do not tighten it.
6. Level the base plate by turning the 4 leveling screws.



All leveling screws must be seated firmly on the surface.



7. Secure the drill stand by tightening the clamping spindle nut with a 19 mm open-ended wrench.(SW 19)
8. Check that the drill stand is secure.

#### 5.4 Fastening the drill stand with the vacuum base plate (accessory)

##### **DANGER**

##### **Risk of injury if the diamond core drilling machine falls !**

- ▶ Fastening the drill stand to the ceiling only by means of the vacuum securing method is not permissible. A heavy structural support or a threaded spindle, for example, can serve as an additional means of fastening.

##### **WARNING**

##### **Risk of injury if pressure is not checked !**

- ▶ Before and during drilling, check that the pressure gage pointer remains in the green zone.



Make sure that the core bit selected for use will not damage the vacuum base plate.

Before positioning the drill stand, check that you have sufficient space for assembly and operation.

Use the vacuum fastening method only together with core bits  $\leq 300$  mm ( $\leq 12$  in) in diameter and when no spacer is fitted.

1. From the center point of the hole to be drilled, draw an orientation line approx. 800 mm (31.5 in) toward and past where the diamond core drilling machine will be positioned.
2. Draw a positioning line intersecting the orientation line at right angles 203 mm (8 in) from the center point of the hole to be drilled.
3. Back off all leveling screws until the anchor base plate is flush with the surface.
4. Slip the drill stand over the spindle and on to the vacuum base plate.
  - ↳ The anchor base plate is seated flush with the end stops of the vacuum base plate.
5. Secure the drill stand by tightening the clamping spindle nut with a 19 mm open-ended wrench.SW 19
6. Connect the vacuum connector on the vacuum base plate to the vacuum pump.
7. Switch on the vacuum pump and press the vacuum base plate against the surface.
8. To align the diamond core drilling machine, press and hold down the vacuum relief valve.



Use the mark on the anchor base plate and the positioning line for alignment.

9. Release the vacuum relief valve and press the vacuum base plate against the surface.
10. Check that the drill stand is secure.
11. Level the diamond core drilling machine, if necessary, by turning the 4 leveling screws.

#### 5.5 Fitting the water connection (accessory)

##### **ATTENTION**

**Hazard due to incorrect use!** Incorrect use can result in irreparable damage to the hose.

- ▶ Regularly check the hoses for damage and make sure that the maximum permissible water supply pressure of 6 bar is not exceeded.
- ▶ Make sure that the hose does not come into contact with rotating parts.
- ▶ Make sure that the hose is not damaged as the carriage advances.
- ▶ Maximum water temperature: 40 °C.
- ▶ Check the water supply system to ensure there are no leaks.



To avoid damage to the components, use only fresh water containing no dirt particles.

A flow meter can be inserted as an accessory between the machine and the water supply.

1. Connect the water flow regulator to the diamond core drilling machine.
2. Connect the water supply (hose connection).





## 5.6 installing the water collection system (accessory) 6

### WARNING

**Danger of electric shock!** There is a possibility of water flowing over the motor and cover if the vacuum removal system is faulty.

- ▶ Cease operations immediately if the vacuum removal system is not working.

### CAUTION

**Risk of injury!** Inadvertent starting of the product.

- ▶ Unplug the supply cord before making adjustments to the power tool or before changing accessories.



For drilling upward, the diamond core drilling machine must be at a 90° angle to the underside of the slab. The water collection system sealing disc must match the diamond core bit diameter.

Use of the water collection system allows water to be led away under control, thus preventing the surrounding area from being heavily soiled.

1. Remove the screw from the drill stand.
2. Install the water collector holder on the drill stand with the screw.
3. Position the water collector, with seal and water collector sealing disc installed, between the two movable arms of the water collector holder.
4. Press the water collector against the work surface by turning the two screws on the water collector holder.
5. Connect a wet-type industrial vacuum extractor to the water collector or establish a hose connection through which the water can drain away.

## 5.7 Inserting a diamond core bit (BI+ chuck) 7

### DANGER

**Risk of injury** Fragments of the workpiece or of broken insert tools may be ejected and cause injury beyond the immediate area of operation.

- ▶ Do not use damaged insert tools. Check the insert tools for chipping, cracks, or heavy wear each time before use.

### CAUTION

**Risk of injury!** Inadvertent starting of the product.

- ▶ Unplug the supply cord before making adjustments to the power tool or before changing accessories.



Replace diamond core bits as soon as their cutting performance and/or rate of drilling progress drops significantly. This generally is the case when the diamond segments wear to a height of less than 2 mm (1/16 in).

A 27 mm open-ended wrench is required for C-Rod, A-Rod, M27 and BR chucks.SW 27

1. Lock the diamond core drilling machine by fully tightening the carriage lock.
2. Open the chuck (BI+) by turning it in the direction indicated by the "open brackets" symbol.
3. From below, push the connection end of the diamond core bit into the splines of the chuck on the diamond core drilling machine.
4. Close the chuck by turning it in the direction indicated by the "closed brackets" symbol.
5. Check that the diamond core bit is seated securely in the chuck.

## 5.8 Selecting the speed 8

### CAUTION

**Risk of wear and tear** Risk of damage to the gearing

- ▶ Do not attempt to change gear while the machine is running. Wait until the arbor comes to a complete stop.



1. Set the selector switch to suit the diameter of the core bit used.
2. Turn the switch to the recommended setting while turning the core bit by hand at the same time.

## 5.9 Removing the diamond core bit (BI+ chuck)

### DANGER

**Risk of injury** Fragments of the workpiece or of broken insert tools may be ejected and cause injury beyond the immediate area of operation.

- ▶ Do not use damaged insert tools. Check the insert tools for chipping, cracks, or heavy wear each time before use.

### CAUTION

**Risk of injury!** Inadvertent starting of the product.

- ▶ Unplug the supply cord before making adjustments to the power tool or before changing accessories.



C-Rod, A-Rod, M27 SW 27 or BR chucks require the use of a 27 mm open-ended wrench to lock the arbor and a suitable open-ended wrench for removing the core bit.

1. Lock the diamond core drilling machine by fully tightening the carriage lock.
2. Open the chuck (BI+) by turning it in the direction of the open brackets symbol.
3. Pull the sleeve toward the machine, as indicated by the arrow, to unlock the core bit.
4. Remove the core bit from the chuck (BI+).

## 6 Operation

### 6.1 TPS theft protection system (optional)

The product can be equipped with the optional TPS theft protection system. It can then be unlocked and made ready for operation only through use of the corresponding TPS key.

### 6.2 Enabling a machine equipped with theft protection system (TPS)

1. Plug the supply cord of the diamond core drilling machine into the power outlet.
2. Press the "Reset" or "I" button on the PRCD.
  - ↳ The yellow theft protection indicator LED flashes.
3. Hold the TPS key directly against the lock symbol.
  - ↳ The yellow theft protection indicator LED goes out and the machine is enabled.



If the power supply is interrupted, the product remains ready for operation for approximately 20 minutes. If the interruption is longer, the theft protection system has to be deactivated again with the TPS key.

### 6.3 Portable residual current device (PRCD)

1. Plug the diamond core drilling machine's mains plug into an earthed/grounded power outlet.
2. Press the "I" or "RESET" button on the PRCD.
  - ↳ The indicator lights up.
3. Press the "0" or "TEST" button on the PRCD.
  - ↳ The indicator goes out.

### WARNING

**Risk of injury due to electric shock!** Do not continue operating the diamond core drilling machine if the indicator on the ground fault circuit interrupter does not go out when the **0** or the **TEST** button is pressed.

- ▶ Have your diamond core drilling machine repaired by **Hilti Service**.

4. Press the "I" or "RESET" button on the PRCD.
  - ↳ The indicator lights up.



## 6.4 Operating diamond core drilling machine without a wet-type industrial vacuum extractor

1. Slowly open the water flow regulator until the water flows at the desired rate.



The diamond core drilling machine can be operated with or without water collection system. With the water collection system, the cooling water is drained away through a hose, without the water collection system the water runs off in an uncontrolled manner. For operation with water collection system, first install the water collection system → page 11.

In both applications, upward drilling is not allowed.

2. Push the ON/OFF switch to the "I" position.
3. Release the carriage lock.
4. Turn the hand wheel until the diamond core bit is in contact with the work surface.
5. When you start drilling apply only light pressure until the core bit has centered itself and only then, increase the pressure against the working surface.
6. Observe the drilling performance indicator.



Initially, the drilling performance indicator shows orange. Optimum drilling performance is achieved when the drilling performance indicator shows green. Reduce the pressure against the work surface if the drilling performance indicator shows red.

## 6.5 Operating diamond core drilling machine with a wet-type industrial vacuum extractor



### WARNING

**Danger of electric shock!** There is a possibility of water flowing over the motor and cover if the vacuum removal system is faulty.

- ▶ Cease operations immediately if the vacuum removal system is not working.

1. Install the water collection system → page 11 and connect the wet-type industrial vacuum extractor.
2. Switch on the wet-type industrial vacuum extractor; do not use automatic mode.
3. Slowly open the water flow regulator until the water flows at the desired rate.
4. Push the ON/OFF switch to the "I" position.
5. Release the carriage lock.
6. Turn the hand wheel until the diamond core bit is in contact with the work surface.
7. When you start drilling apply only light pressure until the core bit has centered itself and only then, increase the pressure against the working surface.
8. Observe the drilling performance indicator.



Initially, the drilling performance indicator shows orange. Optimum drilling performance is achieved when the drilling performance indicator shows green. Reduce the pressure against the work surface if the drilling performance indicator shows red.

## 6.6 Procedure in the event of the core bit jamming

If the bit jams the safety clutch disengages. The electronic control system then switches the motor off and subsequently on again; this is done twice without manual intervention by the user. If this does not free the core bit, the electronic control system switches the motor off for 90 seconds. You can free a jammed bit manually, as follows:

### 6.6.1 Using an open-end wrench to free the core bit

1. Unplug the supply cord from the power outlet.
2. Grip the diamond core bit with a suitable open-end wrench close to the connection end and turn the diamond core bit to free it.
3. Plug the supply cord into the power outlet.
4. Resume the drilling operation.

### 6.6.2 Using the hand wheel to free the core bit

1. Unplug the supply cord from the power outlet.
2. Free the core bit from the base material by turning the hand wheel.
3. Plug the supply cord into the power outlet.
4. Resume the drilling operation.



## 6.7 Switching off the diamond core drilling machine 10

### WARNING

**Risk of personal injury and material damage** The diamond core bit fills with water during overhead drilling. The diamond core drilling machine may become damaged and the risk of electric shock is increased.

- ▶ As a first step, carefully allow the water to drain away after completing overhead drilling. This is done by disconnecting the water supply from the water flow regulator and draining the water by opening the water flow regulator. Do not allow the water to run over the motor and cover.

1. Connect the water flow regulator to the diamond core drilling machine.
2. Remove the diamond core bit from the hole.
3. Lock the diamond core drilling machine with the carriage lock.
4. Switch off the diamond core drilling machine.
5. Switch off the wet-type industrial vacuum extractor, if used.

## 6.8 Removal of the diamond core drilling machine

1. Unplug the supply cord from the power outlet.
2. See the section headed "Removing the diamond core bit" → page 12 for instructions on removing the diamond core bit.
3. Remove the core, if necessary.
4. Remove the diamond core drilling machine from the working surface.



If you remove the system as a complete unit, after setting it down it is advisable to run the machine all the way down the rail until the core bit is in contact with the floor. This will help prevent the diamond core drilling machine from toppling over.

## 7 Care and maintenance

### 7.1 Care and maintenance

#### WARNING

**Electric shock hazard!** Attempting care and maintenance with the supply cord connected to a power outlet can lead to severe injury and burns.

- ▶ Always unplug the supply cord before carrying out care and maintenance tasks.

#### Care

- Carefully remove any dirt that may be adhering to parts.
- Clean the air vents carefully with a dry brush.
- Use only a slightly damp cloth to clean the casing. Do not use cleaning agents containing silicone as these may attack the plastic parts.

#### Maintenance

#### WARNING

**Danger of electric shock!** Improper repairs to electrical components may lead to serious injuries including burns.

- ▶ Repairs to the electrical section of the tool or appliance may be carried out only by trained electrical specialists.
- Check all visible parts and controls for signs of damage at regular intervals and make sure that they all function correctly.
- Do not operate the product if signs of damage are found or if parts malfunction. Have it repaired immediately by **Hilti Service**.
- After cleaning and maintenance, fit all guards or protective devices and check that they function correctly.



To help ensure safe and reliable operation, use only genuine Hilti spare parts and consumables. Spare parts, consumables and accessories approved by Hilti for use with the product can be found at your local **Hilti Store** or online at: [www.hilti.group](http://www.hilti.group).



## 7.2 Adjusting the play between the rail and carriage

1. Tighten the carriage play adjusting screws with a hex key.

### Technical data

Tightening torque	5 Nm
-------------------	------

2. Slacken the adjusting screws slightly by turning back a 1/4 turn.
3. The carriage is correctly adjusted when it remains in position without a diamond core bit but moves down when a diamond core bit is fitted.

## 7.3 Replacing the carbon brushes

### WARNING

#### Risk of injury due to electric shock !

- ▶ The machine may be operated, serviced and repaired only by trained, authorized personnel. This personnel must be specially informed of any possible hazards.

### WARNING

**Electric shock hazard!** Attempting care and maintenance with the supply cord connected to a power outlet can lead to severe injury and burns.

- ▶ Always unplug the supply cord before carrying out care and maintenance tasks.

1. Open the carbon brush covers on the left-hand and right-hand sides of the motor.
2. **Take note of how the carbon brushes are fitted and how the conductors are positioned.** Remove the worn carbon brushes from the diamond core drilling machine.
3. Fit the new carbon brushes, positioning them exactly the same as the old ones fitted previously.



Take care to avoid damaging the insulation on the indicator lead as you insert the brushes.

4. Screw on the carbon brush covers on the left- and right-hand side of the motor.
5. Run in the carbon brushes by letting the machine run under no load for at least one minute without interruption.
  - ↳ The indicator lamp goes out after approx. 1 minute's operation.

## 8 Transport and storage

### Transport

- ▶ Do not transport this product with an accessory tool installed.
- ▶ Make sure that the equipment is held securely throughout all transport operations.
- ▶ After transporting, always check all visible parts and controls for signs of damage and make sure that they all function correctly.

### Storage

- ▶ Always store this product with the electric supply cable unplugged from the electricity supply.
- ▶ Store this product in a dry place, where it cannot be accessed by children or unauthorized persons.
- ▶ After a long period of storage, always check all visible parts and controls for signs of damage and make sure that they all function correctly.

## 8.1 Transport of the diamond core drilling machine

### WARNING

**Risk of injury!** Parts can work loose and drop off.






- ▶ Do not lift the diamond core drilling machine and/or the drill stand by crane.
- ▶ Transport the diamond core drilling machine, drill stand and core bit as separate units.
  - ↳ Use the wheel assembly (accessory) as an aid when transporting the equipment.
- ▶ Open the water flow regulator before stowing away the diamond core drilling machine.




## 9 Troubleshooting

- ▶ If the trouble you are experiencing is not listed in this table or you are unable to remedy the problem by yourself, please contact **Hilti Service**.

### 9.1 The diamond core drilling machine is not in working order

Malfuction	Possible cause	Action to be taken
 The service indicator shows nothing.	The PRCD isn't switched on.	▶ Check that the PRCD is functioning and switch it on.
	Interruption in the electric supply.	▶ Plug in another electric tool or appliance and check whether it works. ▶ Check the plug connections, supply cord, power supply line and main supply fuse.
	The on / off switch is defective.	▶ Have the machine repaired by Hilti Service.
	Fault in the electronics.	▶ Have the machine repaired by Hilti Service.
	Water in the motor.	▶ Allow the diamond core drilling machine to dry out completely in a warm, dry place.
 Service indicator lights.	The carbon brushes are worn out.	▶ Replace the carbon brushes. → page 15
 Service indicator flashes.	Motor speed error.	▶ Have the machine repaired by Hilti Service.
 The drilling performance indicator flashes red.	The motor has overheated.	▶ Wait a few minutes until the motor has cooled down or allow the diamond core drilling machine to run under no load in order to speed up the cooling process. Switch the diamond core drilling machine off and then on again.
	Overload error.	▶ Switch the diamond core drilling machine off and then on again.
 Theft protection indicator blinks.	The diamond core drilling machine has not been unlocked (machines with optional theft protection system).	▶ Use the TPS key to unlock the diamond core drilling machine.

### 9.2 The diamond core drilling machine is in working order

Malfuction	Possible cause	Action to be taken
 Service indicator lights.	The carbon brush wear limit has almost been reached. The diamond core drilling machine will continue to run for a few hours until it shuts down automatically.	▶ Have the carbon brushes replaced at the next opportunity.



Malfunction	Possible cause	Action to be taken
The diamond core drilling machine doesn't achieve full performance.	Supply network fault – undervoltage occurred.	<ul style="list-style-type: none"> <li>▶ Check whether other power consumers are disrupting the power supply from the network or generator.</li> <li>▶ Check the length of the extension cord used.</li> </ul>
The diamond core bit doesn't rotate.	The gear selector isn't engaged.	▶ Operate the gear selector until it engages.
	The diamond core bit has become jammed in the base material.	<ul style="list-style-type: none"> <li>▶ Use an open-end wrench to release the diamond core bit: Disconnect the supply cord plug from the power outlet. Grip the diamond core bit with a suitable open-end wrench close to the connection end and release the diamond core bit by rotating it.</li> </ul>
		Stand-guided drilling <ul style="list-style-type: none"> <li>▶ Turn the handwheel and try to release the diamond core bit by moving the carriage up and down.</li> </ul>
	The gearing is defective.	▶ Have the machine repaired by Hilti Service.
The drilling speed is decreasing.	Maximum drilling depth has been reached.	▶ Remove the core and use a core bit extension.
	The core is stuck in the diamond core bit.	▶ Remove the core.
	Wrong core bit specification for the base material.	▶ Select a more suitable diamond core bit specification.
	High steel content (indicated by clear water containing metal cuttings).	▶ Select a more suitable diamond core bit specification.
	The diamond core bit is defective.	▶ Check the diamond core bit for damage and replace it if necessary.
	Wrong gear selected.	▶ Select the right gear.
	Contact pressure is too low.	▶ Increase the contact pressure.
	The machine has too little power.	▶ Select the next lower gear.
	The diamond core bit is polished.	▶ Sharpen the diamond core bit by drilling into a sharpening plate.
	The water flow rate is too high.	▶ Reduce the water flow rate by adjusting the water flow regulator.
	The water flow rate is too low.	▶ Check the water supply to the diamond core bit or, respectively, increase the water flow by adjusting the water flow regulator.
	The brake has been applied.	▶ Release the brake.
Safety clutch disengages too soon or is slipping.	▶ Have the machine repaired by Hilti Service.	
The handwheel can be turned without resistance.	The split pin is broken.	▶ Replace the split pin.



Malfunction	Possible cause	Action to be taken
The diamond core bit can't be fitted into the chuck.	The core bit connection end or chuck is dirty or damaged.	▶ Clean and grease the connection end and/or the chuck or replace these parts.
Water escapes at the water swivel or gear housing.	The water pressure is too high.	▶ Reduce the water pressure.
Water escapes from the chuck during operation.	The diamond core bit isn't securely tightened in the chuck.	▶ Tighten the diamond core bit securely. ▶ Remove the core bit. Rotate the diamond core bit approx. 90° about its own axis. Refit the diamond core bit.
	The core bit connection end / chuck is dirty.	▶ Clean and grease the connection end and/or the chuck.
	The seal at the chuck or at the connection end is defective.	▶ Check the seal and replace it if necessary.
The drilling system has too much play.	The diamond core bit isn't securely tightened in the chuck.	▶ Tighten the diamond core bit securely. ▶ Remove the core bit. Rotate the diamond core bit approx. 90° about its own axis. Refit the diamond core bit.
	The core bit connection end / chuck is defective.	▶ Check the connection end and chuck and replace them if necessary.
	The carriage has too much play.	▶ Adjust the play between the rail and carriage. → page 15
	Screws / bolts on the drill stand are loose.	▶ Check the security of screws / bolts on the drill stand and tighten them if necessary.
	The drill stand is inadequately fastened.	▶ Fasten the drill stand more securely.

## 10 Disposal

Most of the materials from which **Hilti** tools and appliances are manufactured can be recycled. The materials must be correctly separated before they can be recycled. In many countries, your old tools, machines or appliances can be returned to **Hilti** for recycling. Ask **Hilti** Service or your Hilti representative for further information.



- ▶ Do not dispose of power tools, electronic equipment or batteries as household waste!

### 10.1 Pretreatment of drilling slurry for disposal

The disposal of drilling slurry directly into rivers, lakes or the sewerage system without suitable pretreatment presents problems of an environmental nature. Ask the local public authorities for information about current regulations.

1. Collect the drilling slurry (e.g. using a wet-type industrial vacuum extractor).
2. Allow the drilling slurry to settle and dispose of the solid material at a construction waste disposal site (adding a flocculant can accelerate the settling process).
3. Neutralize the left-over water (alkaline, pH > 7) by adding acidic neutralizing agent or diluting it with a large quantity of water before it is allowed to flow into the sewerage system.





## 11 RoHS (Restriction of Hazardous Substances)

---

Click on the link to go to the table of hazardous substances: [qr.hilti.com/r3677](https://qr.hilti.com/r3677) (DD 120).  
There is a link to the RoHS table, in the form of a QR code, at the end of this document.

## 12 Manufacturer's warranty

---

- ▶ Please contact your local **Hilti** representative if you have questions about the warranty conditions.



## 1 Indications relatives à la documentation

### 1.1 À propos de cette documentation

- Lire intégralement la présente documentation avant la mise en service. C'est la condition préalablement requise pour assurer la sécurité du travail et un maniement sans perturbations.
- Bien respecter les consignes de sécurité et les avertissements de la présente documentation ainsi que celles figurant sur le produit.
- Toujours conserver le mode d'emploi à proximité du produit et uniquement le transmettre à des tiers avec ce mode d'emploi.

### 1.2 Explication des symboles

#### 1.2.1 Avertissements

Les avertissements attirent l'attention sur des dangers liés à l'utilisation du produit. Les termes de signalisation suivants sont utilisés :



#### **DANGER !**

- ▶ Pour un danger imminent qui peut entraîner de graves blessures corporelles ou la mort.



#### **AVERTISSEMENT !**

- ▶ Pour un danger potentiel qui peut entraîner de graves blessures corporelles ou la mort.



#### **ATTENTION !**

- ▶ Pour attirer l'attention sur une situation pouvant présenter des dangers entraînant des blessures corporelles légères ou des dégâts matériels.

#### 1.2.2 Symboles dans la documentation

Les symboles suivants sont utilisés dans la présente documentation :



Lire le mode d'emploi avant d'utiliser l'appareil



Pour des conseils d'utilisation et autres informations utiles



Maniement des matériaux recyclables



Ne pas jeter les appareils électriques et les accus dans les ordures ménagères

#### 1.2.3 Symboles dans les illustrations

Les symboles suivants sont utilisés dans les illustrations :

**2**

Ces chiffres renvoient à l'illustration correspondante au début du présent mode d'emploi

3

La numérotation détermine la séquence des étapes de travail dans l'image et peut se différencier de celles des étapes de travail dans le texte

**11**

Les numéros de position sont utilisés dans l'illustration **Vue d'ensemble** et renvoient aux numéros des légendes dans la section **Vue d'ensemble du produit**



Ce signe doit inviter à manier le produit en faisant particulièrement attention.

### 1.3 Symboles spécifiques au produit

#### 1.3.1 Symboles d'obligation

Les symboles d'obligation suivants sont utilisés :



	Porter des lunettes de protection
	Porter un casque de protection
	Porter un casque antibruit
	Porter des gants de protection
	Porter des chaussures de protection
	Porter un masque respiratoire léger

### 1.3.2 Symboles sur le produit

Les symboles suivants peuvent être utilisés sur le produit :

	Indicateur de protection contre le vol
	Indicateur de maintenance
	Indicateur de puissance de forage
	Mise à la terre de protection
$n_0$	Vitesse nominale à vide
	Transmission de données sans fil

## 1.4 Plaques indicatrices

### Sur colonne de forage, semelle ou carotteuse diamant

	<p><b>Semelle-ventouse</b></p> <p><b>Moitié d'image supérieure :</b> Pour des forages horizontaux avec fixation par ventouses, la colonne de forage ne doit pas être utilisée sans dispositif de sécurité supplémentaire.</p> <p><b>Moitié d'image inférieure :</b> Les forages sous plafond avec la fixation par ventouses ne doivent pas être effectués sans dispositif de sécurité supplémentaire.</p>
	<p><b>Sur la carotteuse diamant</b></p> <p>Pour des travaux sous plafond, le système de récupération d'eau doit impérativement être utilisé avec un aspirateur de liquides.</p>
	<p><b>Sur la carotteuse diamant</b></p> <p>Travailler uniquement avec un disjoncteur PRCO en état de fonctionner.</p>



## 1.5 Informations produit

Les produits sont destinés aux professionnels et ne doivent être utilisés, entretenus et réparés que par un personnel autorisé et formé. Ce personnel doit être spécialement instruit quant aux dangers inhérents à l'utilisation de l'appareil. Le produit et ses accessoires peuvent s'avérer dangereux s'ils sont utilisés de manière incorrecte par un personnel non qualifié ou de manière non conforme à l'usage prévu. La désignation du modèle et le numéro de série figurent sur sa plaque signalétique.

- ▶ Inscrivez le numéro de série dans le tableau suivant. Les informations produit vous seront demandées lorsque vous contactez nos revendeurs ou services après-vente.

### Caractéristiques produit

Carotteuse diamant	DD 120
Génération	01
N° de série	

## 1.6 Déclaration de conformité

Nous déclarons sous notre seule et unique responsabilité que le produit décrit ici est conforme aux directives et normes en vigueur. Une copie de la Déclaration de conformité se trouve en fin de la présente documentation.

Pour obtenir les documentations techniques, s'adresser à :

Hilti Entwicklungsgesellschaft mbH | Zulassung Geräte | Hiltistraße 6 | 86916 Kaufering, DE

## 2 Sécurité

### 2.1 Indications générales de sécurité pour les appareils électriques

**⚠ AVERTISSEMENT Lire toutes les consignes de sécurité et instructions, illustrations et caractéristiques techniques, qui accompagnent cet outil électroportatif.** Tout manquement à l'observation des instructions suivantes risque de provoquer une électrocution, un incendie et/ou de graves blessures.

**Les consignes de sécurité et instructions doivent être intégralement conservées pour les utilisations futures.**

La notion d'« outil électroportatif » mentionnée dans les consignes de sécurité se rapporte à des outils électriques raccordés au secteur (avec câble d'alimentation) et à des outils électriques sur accu (sans câble d'alimentation).

#### Sécurité sur le lieu de travail

- ▶ **Conserver la zone de travail propre et bien éclairée.** Un lieu de travail en désordre ou mal éclairé augmente le risque d'accidents.
- ▶ **Ne pas faire fonctionner les outils électriques en atmosphère explosive et où se trouvent des liquides, des gaz ou poussières inflammables.** Les outils électriques produisent des étincelles qui peuvent enflammer les poussières ou les fumées.
- ▶ **Maintenir les enfants et les personnes présentes à l'écart pendant l'utilisation de l'outil électroportatif.** En cas d'inattention il y a risque de perdre le contrôle de l'appareil.

#### Sécurité relative au système électrique

- ▶ **La fiche de secteur de l'outil électroportatif doit être adaptée à la prise de courant. Ne jamais modifier la fiche de quelque façon que ce soit. Ne pas utiliser d'adaptateurs avec des outils électriques à branchement de terre.** Des fiches non modifiées et des prises de courant adaptées réduiront le risque de choc électrique.
- ▶ **Éviter le contact physique avec des surfaces mises à la terre tels que tuyaux, radiateurs, cuisinières et réfrigérateurs.** Il y a un risque élevé de choc électrique au cas où votre corps serait relié à la terre.
- ▶ **Ne pas exposer les outils électroportatifs à la pluie ou à l'humidité.** La pénétration d'eau à l'intérieur d'un outil électroportatif augmentera le risque d'un choc électrique.
- ▶ **Ne jamais utiliser le câble de raccordement à d'autres fins que celles prévues, telles que pour porter, accrocher ou débrancher l'outil électroportatif de la prise de courant. Maintenir le câble de raccordement à l'écart de la chaleur, des parties grasses, des bords tranchants ou des parties en mouvement.** Des câbles de raccordement endommagés ou emmêlés augmentent le risque de choc électrique.
- ▶ **Si l'outil électroportatif est utilisé à l'extérieur, utiliser uniquement des câbles de rallonge homologués pour les applications extérieures.** L'utilisation d'un câble de rallonge homologué pour les applications extérieures réduit le risque d'un choc électrique.



- ▶ **Si l'utilisation de l'outil électrique dans un environnement humide ne peut pas être évitée, utiliser un interrupteur de protection contre les courants de court-circuit.** L'utilisation d'un tel interrupteur de protection réduit le risque d'une décharge électrique.

#### Sécurité des personnes

- ▶ **Rester vigilant, surveiller ce que l'on fait. Faire preuve de bon sens en utilisant l'outil électroportatif. Ne pas utiliser l'outil électroportatif en étant fatigué ou sous l'emprise de l'alcool, de drogues ou de médicaments.** Un moment d'inattention lors de l'utilisation de l'outil électroportatif peut entraîner des blessures graves.
- ▶ **Utiliser un équipement de protection personnel et toujours porter une protection pour les yeux.** Les équipements de protection personnels tels que masque antipoussière, chaussures de sécurité antidérapantes, casque de protection ou protection acoustique suivant l'utilisation de l'outil électroportatif, réduiront le risque de blessures des personnes.
- ▶ **Éviter une mise en service par mégarde. S'assurer que l'outil électroportatif est arrêté avant de le brancher à la source de courant et/ou à l'accu, de le prendre ou de le porter.** Le fait de porter l'outil électroportatif avec le doigt sur l'interrupteur ou de brancher l'appareil sur la source de courant lorsque l'interrupteur est en position de fonctionnement peut entraîner des accidents.
- ▶ **Retirer tout outil de réglage ou toute clé avant de mettre l'outil électroportatif en fonctionnement.** Une clé ou un outil se trouvant sur une partie en rotation peut causer des blessures.
- ▶ **Adopter une bonne posture. Veiller à toujours garder une position stable et équilibrée.** Cela permet un meilleur contrôle de l'outil électroportatif dans des situations inattendues.
- ▶ **S'habiller de manière adaptée. Ne pas porter de vêtements amples ni de bijoux. Garder les cheveux, les vêtements et les gants à distance des parties en mouvement.** Des vêtements amples, des bijoux ou des cheveux longs peuvent être happés par des parties en mouvement.
- ▶ **Si des dispositifs servant à aspirer ou à recueillir les poussières doivent être utilisés, s'assurer qu'ils sont effectivement raccordés et correctement utilisés.** L'utilisation d'un dispositif d'aspiration de la poussière peut réduire les risques dus aux poussières.
- ▶ **Ne pas sous-estimer les mesures de sécurité à prendre et ne pas ignorer sciemment les règles de sécurité applicables aux outils électriques, même si l'on est utilisateur chevronné après de fréquentes utilisations de l'outil électroportatif.** Un manque d'attention peut conduire à de graves blessures en quelques fractions de seconde.

#### Utilisation et manient de l'outil électroportatif

- ▶ **Ne pas forcer l'appareil. Utiliser l'outil électroportatif adapté au travail à effectuer.** Un outil électroportatif approprié réalisera mieux le travail et de manière plus sûre au régime pour lequel il a été conçu.
- ▶ **Ne pas utiliser d'outil électroportatif dont l'interrupteur est défectueux.** Tout outil électroportatif qui ne peut plus être mis en ou hors fonctionnement est dangereux et doit être réparé.
- ▶ **Débrancher la fiche de la prise de courant et/ou l'accu amovible avant d'effectuer des réglages sur l'appareil, de changer les accessoires, ou de ranger l'appareil.** Cette mesure de précaution empêche une mise en fonctionnement par mégarde de l'outil électroportatif.
- ▶ **Conserver les outils électroportatifs non utilisés hors de portée des enfants. Ne permettre l'utilisation de l'appareil à aucune personne qui ne soit pas familiarisée avec celui-ci ou qui n'a pas lu ces instructions.** Les outils électroportatifs sont dangereux lorsqu'ils sont entre les mains de personnes non initiées.
- ▶ **Prendre soin des outils électroportatifs et des accessoires. Vérifier que les parties en mouvement fonctionnent correctement et qu'elles ne sont pas coincées, et contrôler si des parties sont cassées ou endommagées de sorte que le bon fonctionnement de l'outil électroportatif s'en trouve entravé. Faire réparer les parties endommagées avant d'utiliser l'appareil.** De nombreux accidents sont dus à des outils électroportatifs mal entretenus.
- ▶ **Garder les outils de coupe affûtés et propres.** Des outils destinés à couper correctement entretenus avec des arêtes de coupe tranchantes sont moins susceptibles de bloquer et sont plus faciles à contrôler.
- ▶ **L'outil électroportatif, les accessoires, les outils amovibles, etc. doivent être utilisés conformément à ces instructions. Tenir également compte des conditions de travail et du travail à réaliser.** L'utilisation des outils électroportatifs à d'autres fins que celles prévues peut entraîner des situations dangereuses.
- ▶ **Veiller à ce que les poignées et surfaces de préhension soient toujours être sèches, propres et exemptes de traces de graisse ou d'huile.** Avec des poignées et surfaces de préhension glissantes, la sécurité et le contrôle de l'outil électroportatif ne peuvent être assurés dans des situations inopinées.

#### Service

- ▶ **L'outil électroportatif doit uniquement être réparé par un personnel qualifié, utilisant exclusivement des pièces de rechange d'origine.** Ceci permet d'assurer la sécurité de l'outil électroportatif.



## 2.2 Consignes de sécurité pour carotteuses diamant

- ▶ **Lors de la réalisation de travaux de forage qui nécessitent l'utilisation d'eau, diriger l'eau loin de l'espace de travail ou utiliser un dispositif de récupération de liquides.** De telles mesures de sécurité permettent de garder l'espace de travail au sec et réduisent le risque de choc électrique.
- ▶ **Tenir l'outil électroportatif par les surfaces isolées des poignées lors des travaux pendant lesquels l'outil de coupe risque de toucher des câbles électriques cachés ou son propre câble d'alimentation réseau.** Le contact d'un outil de coupe avec un câble conducteur sous tension risque également de mettre sous tension les parties métalliques de l'outil électroportatif et de provoquer un choc électrique.
- ▶ **Lors des travaux de forage au diamant, porter un casque antibruit.** Le bruit peut entraîner des pertes auditives.
- ▶ **Si l'outil amovible est bloqué, arrêter d'avancer et arrêter l'appareil.** Identifier la cause du blocage et l'éliminer pour les outils amovibles bloqués.
- ▶ **Avant de redémarrer une carotteuse diamant qui est bloquée dans la pièce travaillée, vérifier que l'outil amovible n'est pas coincé.** Si l'outil amovible est coincé, il ne peut pas forcément tourner, ce qui peut entraîner une surcharge de l'outil ou le détachement de la carotteuse diamant de la pièce travaillée.
- ▶ **Si la colonne de forage est ancrée sur la pièce travaillée au moyen de brides d'ancrage et de vis, s'assurer que le moyen d'ancrage utilisé suffit pour maintenir la machine en toute sécurité lors de son utilisation.** Si la pièce travaillée n'est pas résistante ou s'avère poreuse, la bride d'ancrage peut être retirée, ce qui provoque le détachement de la colonne de forage de la pièce travaillée.
- ▶ **Si la colonne de forage est fixée sur la pièce travaillée à l'aide d'une semelle-ventouse, veiller à ce que la surface soit lisse, propre et non poreuse. Ne pas fixer la colonne de forage sur des surfaces laminées, telles que p. ex. du carrelage ou des revêtements de matériaux composites.** Si la surface de la pièce travaillée n'est pas lisse, plane ou suffisamment fixée, il y a un risque que la semelle-ventouse se détache de la pièce travaillée.
- ▶ **Avant et pendant le forage, s'assurer que la dépression est suffisante.** Si la dépression n'est pas suffisante, la semelle-ventouse peut se détacher de la pièce travaillée.
- ▶ **Ne jamais procéder à des forages au-dessus de la tête et à travers une paroi, si la machine est seulement fixée à l'aide de la semelle-ventouse.** En cas de perte du vide, la semelle-ventouse peut se détacher de la pièce travaillée.
- ▶ **Lors de forages à travers une paroi ou un plafond, s'assurer que les personnes et l'espace de travail de l'autre côté sont sécurisés.** Il y a en effet risque que la couronne de forage sorte de l'autre côté du trou foré et que la carotte tombe de l'autre côté.
- ▶ **En cas de travail au-dessus de la tête, toujours utiliser le dispositif de récupération de liquides spécifié dans le manuel d'utilisation. Veiller à ce que l'eau ne rentre pas dans l'outil.** La pénétration d'eau à l'intérieur d'un outil électroportatif augmente le risque d'un choc électrique.

## 2.3 Consignes de sécurité supplémentaires

### Sécurité des personnes

- ▶ **Toute manipulation ou modification de l'appareil est interdite.**
- ▶ **L'appareil n'est pas destiné à être utilisé par des personnes affaiblies sans encadrement.**
- ▶ L'appareil doit être tenu à l'écart des enfants.
- ▶ **Éviter de toucher des pièces en rotation. Brancher l'appareil uniquement dans l'espace de travail.** Le fait de toucher des pièces en rotation, en particulier des outils en rotation, risque d'entraîner des blessures.
- ▶ **Éviter que la peau n'entre en contact avec les boues de forage.**
- ▶ Les poussières de matériaux telles que des peintures contenant du plomb, certains types de bois, du béton / de la maçonnerie / des pierres naturelles qui contiennent du quartz ainsi que des minéraux et des métaux peuvent être nuisibles à la santé. Le contact ou l'aspiration de poussière peut provoquer des réactions allergiques et/ou des maladies respiratoires de l'utilisateur ou de toute personne se trouvant à proximité. Certaines poussières, telles que des poussières de chêne ou de hêtre, sont considérées comme cancérigènes, en particulier lorsqu'elles sont combinées à des additifs destinés au traitement du bois (chromate, produit de protection du bois). Les matériaux contenant de l'amiante doivent uniquement être manipulés par des personnes spécialement formées. Si possible, utiliser un dispositif d'aspiration de poussière. Utiliser un aspirateur mobile pour bois et/ou poussières minérales recommandé par Hilti, spécialement étudié pour cet outil électroportatif. Veiller à ce que le poste de travail soit bien ventilé. Il est recommandé de porter un masque antipoussière adapté à la poussière concernée. Respecter les prescriptions locales en vigueur qui s'appliquent aux matériaux travaillés.
- ▶ La carotteuse diamant et la couronne diamantée sont lourdes. Il y a un risque d'écraser des parties du corps. **Pendant l'utilisation de l'appareil, l'utilisateur et les personnes se trouvant à proximité de**



L'appareil doit porter des lunettes de protection adaptées, un casque de protection, un casque antibruit, des gants de protection et des chaussures de sécurité.

#### Utilisation et emploi soigneux de l'outil électroportatif

- ▶ Vérifier que l'appareil est correctement fixé dans la colonne de forage.
- ▶ Veiller à ce qu'une butée d'extrémité soit toujours montée sur la colonne de forage, sans quoi la fonction de butée d'extrémité de sécurité n'est pas assurée.
- ▶ Vérifier que les outils sont bien munis du système d'emmanchement adapté à l'appareil et qu'ils sont toujours correctement verrouillés dans le porte-outil.

#### Sécurité relative au système électrique

- ▶ Les câbles de raccordement avec prises multiples et le fonctionnement simultané de plusieurs appareils doivent être évités.
- ▶ L'appareil doit uniquement être activé sur des réseaux avec conducteurs de protection et de dimensionnement suffisant.
- ▶ Avant d'entamer le travail, vérifier, par exemple à l'aide d'un détecteur de métaux, qu'il n'y a pas de câbles ou gaines électriques, tuyaux de gaz ou d'eau cachés dans la zone d'intervention. Toutes pièces métalliques extérieures de l'appareil peuvent devenir conductrices, par exemple, lorsqu'un câble électrique est endommagé par inadvertance. Cela peut entraîner un grave danger d'électrocution.
- ▶ Veiller à ce que le câble d'alimentation réseau ne soit pas endommagé lorsque le boîtier de guidage avance.
- ▶ Ne jamais faire fonctionner l'appareil sans le disjoncteur PRCD fourni (pour les appareils sans PRCD, jamais sans le transformateur de séparation). Contrôler le disjoncteur PRCD avant chaque utilisation.
- ▶ Contrôler régulièrement les câbles de raccordement de l'appareil et les faire remplacer par un spécialiste s'ils sont endommagés. Si le câble de raccordement de l'appareil électrique est endommagé, il doit être remplacé par un câble de raccordement spécialement préparé et autorisé, disponible auprès du service après-vente. Contrôler régulièrement les câbles de rallonge et les remplacer s'ils sont endommagés. Si le câble d'alimentation réseau ou de rallonge est endommagé pendant le travail, ne pas le toucher. Débrancher la fiche de la prise. Les cordons d'alimentation et câbles de rallonge endommagés représentent un danger d'électrocution.
- ▶ Ne jamais faire fonctionner l'appareil s'il est encrassé ou mouillé. La poussière accumulée sur les faces de l'appareil, en particulier celle produite par des matériaux conducteurs, ou l'humidité risquent, dans des conditions défavorables, de provoquer une décharge électrique. C'est pourquoi il convient de faire réviser les appareils encrassés par le S.A.V. Hilti à intervalles réguliers, surtout s'ils sont utilisés sur des matériaux conducteurs.

#### Place de travail

- ▶ Faire confirmer les travaux de forage par la direction des travaux. Les travaux de forage dans des bâtiments et autres structures sont susceptibles de modifier la statique de la construction, en particulier lors d'interventions sur des armatures métalliques ou des éléments porteurs.
- ▶ Si la colonne de forage n'est pas bien fixée, toujours guider l'appareil monté sur la colonne de forage complètement jusqu'en bas, pour éviter tout basculement.
- ▶ Tenir le câble d'alimentation réseau, le câble de rallonge et le tuyau d'aspiration à l'écart des pièces en rotation.
- ▶ Pour des forages à eau sous plafond, le système de récupération d'eau doit impérativement être utilisé avec un aspirateur de liquides.
- ▶ La fixation par ventouses, sans fixation supplémentaire, est interdite pour tout travail sous plafond.
- ▶ Pour des forages horizontaux avec fixation par ventouses (accessoire), la colonne de forage ne doit pas être utilisée sans dispositif de sécurité supplémentaire.

## 3 Description

### 3.1 Utilisation conforme à l'usage prévu

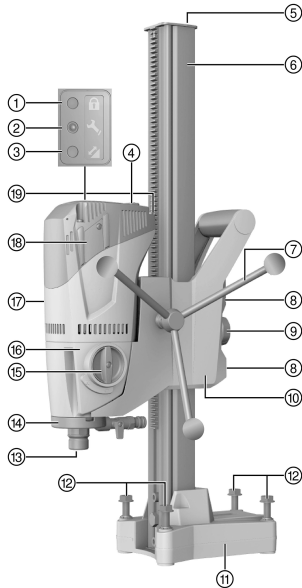
Le produit décrit est une caroteuse diamant électroportative. Il est conçu pour les forages à eau à guidage sur colonne de transpercements et de trous borgnes dans des matériaux supports (armés) de type minéral. **Une utilisation de la caroteuse diamant en mode guidage manuel n'est pas autorisée.**

Le produit décrit est destiné aux utilisateurs professionnels et ne doit être utilisé, entretenu et réparé que par un personnel agréé, formé à cet effet. Ce personnel doit être au courant des dangers inhérents à l'utilisation de l'appareil. Le produit décrit et ses accessoires peuvent s'avérer dangereux s'ils sont utilisés de manière incorrecte par un personnel non qualifié ou de manière non conforme à l'usage prévu.



- ▶ La carotteuse diamant doit toujours être utilisée avec une colonne de forage. La colonne de forage doit être suffisamment ancrée dans le matériau support par le biais de brides d'ancrage ou d'une semelle-ventouse.
- ▶ Ne pas utiliser d'outil de percussion (marteau) pour la mise en place dans la semelle.
- ▶ L'appareil ne doit fonctionner qu'avec la tension réseau et la fréquence réseau indiquées sur la plaque signalétique.
- ▶ Observer les exigences nationales en matière de sécurité en vigueur.
- ▶ Respecter également les instructions de sécurité et d'utilisation de l'accessoire utilisé.
- ▶ Utiliser uniquement des accessoires et couronnes de forage **Hilti** d'origine, pour éviter tout risque de blessure.

### 3.2 Éléments constitutifs de l'appareil et organes de commande 1



#### Carotteuse diamant DD 120

- ① Indicateur de protection contre le vol (en option)
- ② Indicateur de maintenance
- ③ Indicateur de puissance de forage
- ④ Interrupteur Marche / Arrêt
- ⑤ Butée d'extrémité
- ⑥ Rail
- ⑦ Volant à main
- ⑧ Vis de réglage du jeu du boîtier de guidage (4x)
- ⑨ Blocage du boîtier de guidage
- ⑩ Boîtier de guidage
- ⑪ Semelle chevillable
- ⑫ Vis de mise à niveau (4x)
- ⑬ Porte-outil
- ⑭ Tête d'injection
- ⑮ Variateur de vitesse
- ⑯ Réducteur
- ⑰ Moteur
- ⑱ Couverture de balais de charbon
- ⑲ Câble d'alimentation réseau avec disjoncteur PRCD

#### 3.2.1 Semelle-ventouse (accessoire) 2

- ⑳ Broche de serrage
- ㉑ Raccord à vide
- ㉒ Manomètre
- ㉓ Détendeur de pression
- ㉔ Joint de la semelle-ventouse

#### 3.2.2 Fixation 3

- ㉕ Broche de serrage
- ㉖ Brides d'ancrage
- ㉗ Écrou de broche de serrage

#### 3.2.3 Système de récupération d'eau 4

- ㉘ Support du collecteur d'eau
- ㉙ Collecteur d'eau

### 3.3 Indicateur de maintenance

Le produit est équipé d'un indicateur de maintenance avec témoin lumineux.

### 3.4 Équipement livré

Carotteuse diamant, volant à main, mode d'emploi.





La colonne de forage est fournie séparément. D'autres produits système autorisés pour votre produit peuvent être obtenus auprès de **Hilti Store** ou sous : [www.hilti.group](http://www.hilti.group).

### 3.5 Utilisation d'un générateur ou d'un transformateur

Cet appareil peut être alimenté par un générateur ou un transformateur, si les conditions suivantes sont respectées : La puissance délivrée en watts doit être au moins égale au double de la puissance maximale telle qu'indiquée sur la plaque signalétique de l'appareil, la tension de service doit être en permanence située dans une plage de tolérance de +5 % et -15 % par rapport à la tension nominale, la fréquence doit être comprise entre 50 et 60 Hz sans jamais dépasser 65 Hz, et un régulateur de tension automatique avec système d'amplification au démarrage doit être présent.

**i** La mise en marche ou l'arrêt d'autres appareils peut entraîner des pointes de sous-tension et/ou de surtension pouvant endommager l'appareil.

## 4 Caractéristiques techniques

### 4.1 Caractéristiques techniques

<b>Poids (crémaillère 600 mm) selon la procédure EPTA 01</b>	9,8 kg
<b>Pression maximale autorisée dans la conduite d'eau</b>	6 bar
<b>1ère vitesse de rotation à vide de référence</b>	740 tr/min
<b>2e vitesse de rotation à vide de référence</b>	1.580 tr/min
<b>Dimensions de la colonne de forage à crémaillère courte (L x l x H)</b>	330 mm x 147 mm x 600 mm
<b>Dimensions de la colonne de forage à crémaillère moyenne (L x l x H)</b>	330 mm x 147 mm x 720 mm
<b>Dimensions de la colonne de forage à crémaillère longue (L x l x H)</b>	330 mm x 147 mm x 830 mm
<b>Classe de protection</b>	Classe de protection I (mise à la terre)

### 4.2 Vitesses et diamètres de couronne de forage correspondants

**i** \* Les diamètres de forage de l'appareil sont indiqués sur la plaque signalétique.  
Dans des matériaux supports en béton avec peu d'armatures métalliques, la deuxième vitesse peut être utilisée jusqu'à Ø 82 mm (3 1/2 in) pour atteindre une progression de forage supérieure.

Vitesse	Diamètre de couronne diamantée	Vitesse de rotation à vide
1	57 ... 132 (*162) mm	740 tr/min
2	16 ... 52 mm	1.580 tr/min

### 4.3 Valeurs de bruit et de vibrations selon EN 62841

Les valeurs de pression acoustique et de vibrations mentionnées dans ces instructions ont été mesurées conformément à un procédé de mesure normalisé et peuvent être utilisées comme base de comparaison d'outils électroportatifs. Elles sont de plus adaptées à une évaluation préalable de l'exposition aux bruits et aux vibrations.

Les indications fournies correspondent aux principales applications de l'outil électroportatif. Ces données peuvent néanmoins différer si l'outil électroportatif est utilisé pour d'autres applications ou avec des outils coupants différents, ou bien si l'entretien s'avère insuffisant. Dans ce cas, les expositions peuvent augmenter nettement dans tout l'espace de travail.

Pour une évaluation précise des expositions, il convient également de prendre en compte les temps durant lesquels l'appareil est arrêté ou marche à vide. Cela peut réduire considérablement les contraintes d'exposition dans tout l'espace de travail.



Par ailleurs, il convient de prendre des mesures de sécurité supplémentaires en vue de protéger l'opérateur des effets du bruit ou des vibrations, par exemple : entretien de l'outil électroportatif et des outils de coupe, maintien des mains à bonne température, organisation des processus de travail.

#### Valeur d'émissions sonores

Niveau de puissance acoustique pondéré (A) type	102 dB
Niveau de pression acoustique d'émission pondéré (A) type	89 dB
Incertitude pour le niveau de pression acoustique indiqué	3 dB

#### Valeurs de vibrations

Forage (à eau) dans le béton, a <sub>n</sub>	2,5 m/s <sup>2</sup>
Incertitude (K)	1,5 m/s <sup>2</sup>

## 5 Préparatifs

### AVERTISSEMENT

**Risque de blessures !** Si elle est mal fixée, la colonne de forage peut tourner ou se renverser.

- ▶ Fixer la colonne de forage au moyen de chevilles ou d'une semelle-ventouse sur le matériau support approprié avant d'utiliser la foreuse au diamant.
- ▶ Utiliser uniquement des chevilles qui conviennent pour le matériau support existant et observer les instructions de montage du fabricant de chevilles.
- ▶ Utiliser une semelle-ventouse seulement si le matériau support existant convient pour la fixation de la colonne de forage au moyen d'une ventouse.

### 5.1 Montage du volant à main sur la carotteuse diamant

1. Enlever la goupille et insérer le volant à main sur l'axe.
2. Bloquer le volant à main à l'aide de la goupille.



Le volant à main peut être monté sur les deux côtés du boîtier de guidage.

### 5.2 Fixation de la carotteuse diamant sur la colonne de forage

### ATTENTION

**Risque de blessures** Danger du fait d'une mise en marche inopinée de la carotteuse diamant.

- ▶ Pendant le changement d'équipement, la carotteuse diamant ne doit pas être branchée au réseau électrique.

1. Desserrer le vis intérieure à l'aide de la clé pour vis à six pans creux.
2. Enlever la butée d'extrémité de la crémaillère.
3. Ouvrir le dispositif de blocage de guidage du boîtier de guidage en tournant complètement le bouton tournant.
4. Placer la carotteuse diamant au-dessus de l'orifice prévu sur la crémaillère.
5. Utiliser le volant à main pour faire avancer complètement la carotteuse diamant sur la crémaillère.
6. Bloquer la carotteuse diamant en resserrant complètement le dispositif de blocage du boîtier de guidage.
7. S'assurer de la bonne fixation de la carotteuse diamant en tournant légèrement le volant à main.
8. Monter la butée d'extrémité sur la crémaillère et vérifier qu'elle est bien fixée.



Vérifier le jeu du boîtier de guidage et le régler si nécessaire. → Page 34

### 5.3 Fixation de la colonne de forage avec bride d'ancrage

### AVERTISSEMENT

**Risque de blessures entraînées par l'utilisation d'une bride d'ancrage inappropriée !** L'appareil risque de se détacher et de provoquer des dommages.

- ▶ Utiliser la cheville adaptée au matériau support et observer les instructions de montage du fabricant de chevilles.



**i** Les chevilles expansibles métalliques M12 **Hilti** conviennent habituellement pour les fixations courantes de l'équipement carotreuse diamant dans du béton non fissuré. Néanmoins, dans certaines conditions, une fixation alternative peut s'avérer nécessaire. Pour toutes questions quant à la fixation la plus sûre, s'adresser au service technique de **Hilti**.

1. Placer une bride d'ancrage appropriée selon le matériau support à 203 mm (8 in) du centre du trou de forage.
2. Visser la broche de serrage dans la bride.
3. Tourner toutes les vis de mise à niveau en arrière jusqu'à ce que la semelle soit à fleur avec le matériau support.
4. Poser la colonne de forage sur la broche de serrage et orienter la colonne de forage.
5. Visser l'écrou de la broche de serrage sur la broche sans serrer.
6. Mettre la semelle à niveau à l'aide des 4 vis de mise à niveau.

**i** Les vis de mise à niveau doivent toutes être bien appliquées contre le matériau support.

7. Fixer la colonne de forage avec l'écrou de broche de serrage et à l'aide d'une clé à fourche (SW 19).
8. S'assurer de la bonne fixation de la colonne de forage.

#### 5.4 Fixation avec semelle-ventouse (accessoire)

**⚠ DANGER**

##### Risque de blessures entraînées par la chute de la carotreuse diamant !

- ▶ Il est interdit de fixer la colonne de forage au plafond uniquement avec fixation par ventouses. Une fixation supplémentaire peut être p. ex. assurée à l'aide d'un étai ou d'une broche filetée.

**⚠ AVERTISSEMENT**

##### Risque de blessures en cas d'absence de contrôle de la pression !

- ▶ Avant et en cours de forage, veiller à ce que l'indicateur du manomètre se trouve dans la zone verte.

**i** S'assurer que la couronne diamantée choisie n'endommage pas la semelle-ventouse. Avant de positionner la colonne de forage, vérifier qu'il y a suffisamment d'espace disponible pour le montage et l'utilisation.

Utiliser la fixation par ventouses uniquement avec des couronnes de forage d'un diamètre  $\leq 300$  mm ( $\leq 12$  in) et sans utilisation d'une entretoise.

1. Tracer une ligne d'orientation d'une longueur de 800 mm (31.5 in) environ du centre du trou de forage dans le sens dans lequel la carotreuse diamant sera placée.
2. Tracer une ligne de repère à 203 mm (8 in) du centre du trou de forage perpendiculairement à la ligne d'orientation.
3. Tourner toutes les vis de mise à niveau en arrière jusqu'à ce que la semelle chevillable soit à fleur avec le matériau support.
4. Placer la colonne de forage au-dessus de la broche sur la semelle-ventouse.
  - ↳ La semelle chevillable repose à fleur sur les butées arrière de la semelle-ventouse.
5. Fixer la colonne de forage avec l'écrou de broche de serrage et à l'aide d'une clé à fourche SW 19.
6. Fixer les raccords à vide de la semelle-ventouse à l'aide de la pompe à vide.
7. Mettre la pompe à vide en marche et appuyer la semelle-ventouse contre le matériau support.
8. Pour orienter la carotreuse au diamant, appuyer sur le détenteur de pression et le maintenir enfoncé.

**i** Utiliser le repère sur la semelle chevillable et la ligne de repère à des fins d'orientation.

9. Relâcher le détenteur de pression et appuyer la semelle-ventouse contre le matériau support.
10. S'assurer de la bonne fixation de la colonne de forage.
11. Le cas échéant, mettre la carotreuse diamant à niveau à l'aide des 4 vis de mise à niveau.



## 5.5 Installation du raccordement d'eau (accessoire)

### ATTENTION

**Mise en danger en cas d'utilisation incorrecte !** Le flexible risque d'être endommagé en cas d'utilisation incorrecte .

- ▶ Contrôler régulièrement les tuyaux flexibles afin de vérifier qu'ils ne sont pas endommagés et s'assurer que la pression maximale autorisée de 6 bar n'est pas dépassée dans la conduite d'eau.
- ▶ Veiller à ce que le flexible n'entre pas en contact avec des pièces en rotation.
- ▶ Veiller à ce que le flexible ne soit pas endommagé lorsque le boîtier de guidage avance.
- ▶ Température max. de l'eau : 40 °C.
- ▶ Vérifier que le système à eau raccordé est bien étanche.



Utiliser uniquement de l'eau claire ou de l'eau exempte de particules de saleté pour éviter d'endommager les composants.

En tant qu'accessoire, un indicateur de débit peut être monté entre l'appareil et la conduite d'alimentation en eau.

1. Raccorder le dispositif de régulation du débit d'eau à la carotteuse diamant.
2. Établir le branchement avec la conduite d'alimentation en eau (raccord d'entrée du flexible).

## 5.6 Montage du système de récupération d'eau (accessoire)

### AVERTISSEMENT

**Danger d'électrocution !** En cas d'aspiration défectueuse, de l'eau peut s'écouler au-dessus du moteur et du couvercle !

- ▶ Interrompre immédiatement le travail si l'aspiration ne fonctionne plus.

### ATTENTION

**Risque de blessures !** Mise en marche inopinée du produit.

- ▶ Retirer la fiche de la prise avant d'effectuer des réglages sur l'appareil ou de changer les accessoires.



En cas de forage vers le haut, la carotteuse diamant doit être à un angle de 90° par rapport au plafond. L'anneau d'étanchéité du système de récupération d'eau doit être adapté au diamètre de la couronne diamantée.

L'utilisation d'un système de récupération d'eau permet d'évacuer l'eau de manière ciblée et d'éviter de salir l'environnement de travail.

1. Retirer la vis sur la colonne de forage.
2. Monter le support du collecteur d'eau avec la vis sur la colonne de forage.
3. Mettre en place le collecteur d'eau entre les deux bras mobiles du support du collecteur d'eau, avec joint d'étanchéité et anneau d'étanchéité du système de récupération montés.
4. Fixer le collecteur d'eau à l'aide des deux vis sur le support du collecteur d'eau contre le matériau support.
5. Raccorder un aspirateur de liquides au collecteur d'eau ou raccorder un tuyau afin de permettre l'évacuation de l'eau.

## 5.7 Mise en place de la couronne diamantée (porte-outil BI+)

### DANGER

**Risque de blessures** Des éclats de la pièce travaillée ou des accessoires cassés risquent d'être projetés et de provoquer des blessures même à l'extérieur de l'espace de travail direct.

- ▶ Ne pas utiliser d'accessoires endommagés. Avant chaque utilisation, vérifier que les accessoires ne sont ni écaillés ni usés ou fortement détériorés.



### ATTENTION

**Risque de blessures !** Mise en marche inopinée du produit.

- ▶ Retirer la fiche de la prise avant d'effectuer des réglages sur l'appareil ou de changer les accessoires.



Les couronnes diamantées doivent être remplacées, sitôt que les performances de tronçonnage resp. la progression de forage sont nettement réduites. C'est d'une manière générale le cas, lorsque la hauteur des segments diamantés est inférieure à 2 mm (1/16 in).

Les porte-outils C-Rod, A-Rod, M27 et BR s'actionnent à l'aide d'une clé à fourche SW 27.

1. Bloquer la carotteuse diamant en resserrant complètement le dispositif de blocage du boîtier de guidage.
2. Ouvrir le porte-outil (BI+) en tournant dans le sens du symbole Étrier ouvert.
3. Insérer le système d'emmanchement de la couronne diamantée par le bas sur la denture du porte-outil de la carotteuse diamant.
4. Fermer le porte-outil en tournant dans le sens du symbole Etrier fermé.
5. Vérifier que la couronne diamantée est bien en place dans le porte-outil.

## 5.8 Sélection de la vitesse de rotation

### ATTENTION

**Risque d'usure** Risque d'endommagement du mécanisme de transmission

- ▶ Ne pas mettre en service. Attendre jusqu'à ce que la broche soit immobilisée.

1. Choisir la vitesse selon le diamètre de couronne de forage utilisé.
2. Tourner le commutateur tout en tournant la couronne diamantée à la main, jusqu'à la position recommandée.

## 5.9 Retrait de la couronne diamantée (porte-outil BI +)

### DANGER

**Risque de blessures** Des éclats de la pièce travaillée ou des accessoires cassés risquent d'être projetés et de provoquer des blessures même à l'extérieur de l'espace de travail direct.

- ▶ Ne pas utiliser d'accessoires endommagés. Avant chaque utilisation, vérifier que les accessoires ne sont ni écaillés ni usés ou fortement détériorés.

### ATTENTION

**Risque de blessures !** Mise en marche inopinée du produit.

- ▶ Retirer la fiche de la prise avant d'effectuer des réglages sur l'appareil ou de changer les accessoires.



Pour les porte-outils C-Rod, A-Rod, M27 et BR, bloquer l'arbre de l'appareil à l'aide d'une clé à fourche appropriée SW 27 et enlever la couronne de forage à l'aide d'une clé à fourche appropriée.

1. Bloquer la carotteuse diamant en resserrant complètement le dispositif de blocage du boîtier de guidage.
2. Ouvrir le porte-outil (BI+) en tournant dans le sens du symbole Étrier ouvert.
3. Tirer la douille du mandrin dans le sens de la flèche vers l'appareil pour débloquer la couronne de forage.
4. Retirer la couronne de forage hors du porte-outil (BI +).

## 6 Utilisation

### 6.1 Protection contre le vol TPS (en option)

Ce produit peut être équipé en option de la fonction de protection contre le vol TPS. Cette fonction peut uniquement être débloquée et activée à l'aide de la clé correspondante.

### 6.2 Désactivation de la protection contre le vol TPS

1. Brancher la fiche d'alimentation de la carotteuse diamant dans la prise.



- Appuyer sur la touche "Reset" ou la touche "I" du disjoncteur PRCD.
  - Le voyant jaune de protection contre le vol clignote.
- Mettre la clé de déblocage directement sur le symbole Verrou.
  - Le voyant jaune de protection contre le vol s'éteint et l'appareil est débloqué.



Si l'alimentation électrique est coupée, l'appareil reste débloqué pendant 20 minutes environ. En cas d'interruption prolongée, la protection contre le vol doit être à nouveau désactivée à l'aide de la clé de déblocage.

### 6.3 Disjoncteur à tension nulle PRCD

- Insérer la fiche d'alimentation de la carotteuse diamant dans une prise terre.
- Appuyer sur la touche "I" ou "RESET" du disjoncteur à tension nulle PRCD.
  - L'affichage s'allume.
- Appuyer sur la touche "0" ou "TEST" du disjoncteur à tension nulle PRCD.
  - L'affichage s'éteint.



#### AVERTISSEMENT

**Risque de blessures entraînées par électrocution !** Si l'affichage du conducteur de protection contre les courants de défaut ne disparaît pas en appuyant sur la touche **0** resp. **TEST**, la carotteuse diamant ne doit plus être utilisée !

- Faire réparer la carotteuse diamant par le S.A.V. **Hilti**.
- Appuyer sur la touche "I" ou "RESET" du disjoncteur à tension nulle PRCD.
    - L'affichage s'allume.

### 6.4 Utilisation de la carotteuse au diamant sans aspirateur de liquides

- Ouvrir lentement le dispositif de régulation du débit d'eau jusqu'à ce que la quantité d'eau souhaitée coule.



La carotteuse diamant peut être utilisée avec et sans système de récupération d'eau. Avec système de récupération d'eau, l'eau de forage est évacuée par le biais d'un tuyau flexible, sans système de récupération d'eau, l'eau s'écoule de manière incontrôlée. En cas de fonctionnement avec système de récupération d'eau, monter d'abord le système de récupération d'eau → Page 30. Dans les deux applications, il est interdit de forer vers le haut.

- Appuyer sur l'interrupteur Marche / Arrêt "I".
- Ouvrir le dispositif de blocage du boîtier de guidage.
- À l'aide du volant, tourner la couronne diamantée jusqu'au matériau support.
- Exercer une pression légère au début du forage le temps que la couronne de forage se centre puis augmenter la pression d'appui.
- Tenir compte de l'indicateur de puissance de forage.



Au début, l'indicateur de puissance de forage s'allume en orange. La puissance de forage idéale est atteinte lorsque l'indicateur de puissance de forage s'allume en vert. Réduire la puissance de forage si l'indicateur de puissance de forage passe au rouge.

### 6.5 Utilisation de la carotteuse au diamant avec un aspirateur de liquides



#### AVERTISSEMENT

**Danger d'électrocution !** En cas d'aspiration défectueuse, de l'eau peut s'écouler au-dessus du moteur et du couvercle !

- Interrompre immédiatement le travail si l'aspiration ne fonctionne plus.
- Monter le système de récupération d'eau → Page 30 et raccorder l'aspirateur de liquides.
  - Mettre l'aspirateur de liquides en marche, ne pas utiliser le mode automatique.
  - Ouvrir lentement le dispositif de régulation du débit d'eau jusqu'à ce que la quantité d'eau souhaitée coule.
  - Appuyer sur l'interrupteur Marche / Arrêt "I".
  - Ouvrir le dispositif de blocage du boîtier de guidage.
  - À l'aide du volant, tourner la couronne diamantée jusqu'au matériau support.



7. Exercer une pression légère au début du forage le temps que la couronne de forage se centre puis augmenter la pression d'appui.
8. Tenir compte de l'indicateur de puissance de forage.



Au début, l'indicateur de puissance de forage s'allume en orange. La puissance de forage idéale est atteinte lorsque l'indicateur de puissance de forage s'allume en vert. Réduire la puissance de forage si l'indicateur de puissance de forage passe au rouge.

## 6.6 Étapes de travail en cas de coincement de la couronne de forage

Si la couronne de forage est coincée, l'accouplement à friction se désengage d'abord. Le système électronique coupe ensuite le moteur et en l'absence de l'intervention manuelle de l'utilisateur, se remet deux fois automatiquement en marche. Si cela ne permet pas de remédier au blocage, le système électronique coupe le moteur pendant 90 secondes. Il est possible de remédier manuellement au blocage de la manière suivante :

### 6.6.1 Desserrage de la couronne de forage à l'aide d'une clé à fourche

1. Débrancher la fiche de la prise.
2. Saisir la couronne de forage diamantée près de l'emmanchement à l'aide d'une clé à fourche appropriée et desserrer la couronne de forage diamantée en la tournant.
3. Brancher la fiche dans la prise.
4. Poursuivre le processus de forage.

### 6.6.2 Desserrage de la couronne de forage à l'aide du volant

1. Débrancher la fiche de la prise.
2. Desserrer la couronne de forage à l'aide du volant hors du matériau support.
3. Brancher la fiche dans la prise.
4. Poursuivre le processus de forage.

## 6.7 Mise en arrêt de la carotteuse diamant



### AVERTISSEMENT

**Danger pour les personnes et le matériel** Lors de forages effectués sous plafond, la couronne diamantée se remplit d'eau. La carotteuse diamant peut être endommagée et le risque de choc électrique est accru.

- ▶ À la fin d'un forage vers le haut, avant de poursuivre, laisser l'eau s'écouler avec précaution. Débrancher le tuyau d'arrivée d'eau sur le dispositif de régulation du débit d'eau et ouvrir le dispositif de régulation du débit d'eau pour laisser l'eau s'écouler. L'eau ne doit cependant pas couler sur l'unité moteur et le couvercle.

1. Raccorder le dispositif de régulation du débit d'eau à la carotteuse diamant.
2. Tirer la couronne diamantée hors du trou de forage.
3. Bloquer la carotteuse au diamant à l'aide du dispositif de blocage du boîtier de guidage.
4. Arrêter la carotteuse diamant.
5. Le cas échéant, arrêter l'aspirateur de liquides.

## 6.8 Démontage de la carotteuse diamant

1. Débrancher la fiche de la prise.
2. Pour démonter la couronne diamantée, voir chapitre "Démontage de la couronne diamantée" → Page 31.
3. Le cas échéant, enlever la carotte.
4. Démontez la carotteuse diamant pour l'enlever du support.



Si le système est démonté d'une pièce, il est recommandé, après avoir arrêté l'appareil, de descendre ce dernier complètement vers le bas jusqu'à ce que la couronne de forage touche le matériau support. Ceci permet d'éviter que la carotteuse diamant ne tombe.



## 7 Nettoyage et entretien

### 7.1 Nettoyage et entretien

#### AVERTISSEMENT

**Danger d'électrocution !** Les travaux de nettoyage et d'entretien effectués avec fiche branchée à la prise peuvent entraîner de graves blessures ou brûlures.

- ▶ Toujours retirer la fiche de la prise avant tous travaux de nettoyage et d'entretien !

#### Nettoyage

- Éliminer prudemment les saletés récalcitrantes.
- Nettoyer les ouïes d'aération avec précaution au moyen d'une brosse sèche.
- Nettoyer le boîtier uniquement avec un chiffon légèrement humidifié. Ne pas utiliser de nettoyeurs à base de silicone, ceci pourrait attaquer les pièces en plastique.

#### Entretien

#### AVERTISSEMENT

**Risque d'électrocution !** Des réparations inappropriées sur des composants électriques peuvent entraîner de graves blessures corporelles et brûlures.

- ▶ Toute réparation des pièces électriques ne doit être effectuée que par un électricien qualifié.
- Vérifier régulièrement qu'aucune pièce visible n'est endommagée et que les organes de commande sont parfaitement opérationnels.
- En cas d'endommagements et/ou de dysfonctionnements, ne pas utiliser le produit. Le faire immédiatement réparer par le S.A.V. **Hilti**.
- Après des travaux de nettoyage et d'entretien, vérifier si tous les équipements de protection sont bien en place et fonctionnent parfaitement.



Pour une utilisation en toute sécurité, utiliser uniquement des pièces de rechange et consommables d'origine. Vous trouverez les pièces de rechange, consommables et accessoires autorisés convenant pour votre produit dans le centre **Hilti Store** ou sous : [www.hilti.group](http://www.hilti.group).

### 7.2 Réglage du jeu entre la crémaillère et le boîtier de guidage

1. Serrer les vis de réglage du jeu de boîtier de guidage à l'aide d'une clé pour vis à six pans creux.

#### Caractéristiques techniques

Couple de serrage	5 Nm
-------------------	------

2. Desserrer les vis de réglage à nouveau d'1/4 de tour.
3. Le boîtier de guidage est correctement réglé, s'il reste sans couronne de forage diamantée dans sa position et s'il descend avec couronne de forage diamantée.

### 7.3 Remplacement des balais de charbon

#### AVERTISSEMENT

**Risque de blessures entraînées par électrocution !**

- ▶ L'appareil ne doit être utilisé, entretenu et réparé que par un personnel autorisé et formé à cet effet ! Ce personnel doit être au courant des dangers inhérents à l'utilisation de l'appareil.

#### AVERTISSEMENT

**Danger d'électrocution !** Les travaux de nettoyage et d'entretien effectués avec fiche branchée à la prise peuvent entraîner de graves blessures ou brûlures.

- ▶ Toujours retirer la fiche de la prise avant tous travaux de nettoyage et d'entretien !

1. Ouvrir les couvercles des balais de charbon de part et d'autre de l'unité moteur.
2. **Bien observer comment sont disposés les balais de charbon et les cordons.** Retirer les balais de charbon usagés de la carotreuse au diamant.





3. Installer les nouveaux balais de charbon exactement comme les anciens balais de charbon étaient disposés avant.



Lors de la mise en place, veiller à ne pas endommager l'isolation du cordon de contrôle.

4. Visser les couvercles des balais de charbon de part et d'autre de l'unité moteur.
5. Laisser les balais de charbon tourner à vide au moins pendant 1 minute sans interruption.
  - ↳ Le témoin lumineux s'éteint après 1 minute de fonctionnement environ.

## 8 Transport et entreposage

### Transport

- ▶ Ne jamais transporter ce produit avec outil monté.
- ▶ Veiller à le tenir fermement pendant le transport.
- ▶ Vérifier après chaque transport qu'aucune pièce visible n'est endommagée et que les organes de commande sont parfaitement opérationnels.

### Stockage

- ▶ Toujours stocker l'appareil avec la fiche secteur débranchée.
- ▶ Stocker cet appareil à l'état sec hors de portée des enfants et des personnes non autorisées.
- ▶ Vérifier après un stockage prolongé qu'aucune pièce visible n'est endommagée et que les organes de commande sont parfaitement opérationnels.

### 8.1 Transport de la carotteuse diamant



#### AVERTISSEMENT


**Risque de blessures !** Certaines pièces peuvent se détacher et tomber.

- ▶ Ne pas accrocher la carotteuse diamant et/ou la colonne de forage à une grue.
- ▶ Transporter séparément la carotteuse diamant, la colonne de forage et la couronne de forage.
  - ↳ Pour faciliter le transport, utiliser le train roulant (accessoire).
- ▶ Avant d'entreposer la carotteuse diamant, ouvrir le dispositif de régulation du débit d'eau.





## 9 Aide au dépannage

- ▶ En cas de défaillances non énumérées dans ce tableau ou auxquelles il n'est pas possible de remédier sans aide, contacter le S.A.V. **Hilti**.


### 9.1 La carotteuse au diamant n'est pas en état de fonctionner

Défaillance	Causes possibles	Solution
 L'indicateur de maintenance n'indique rien.	Disjoncteur PRCD non enclenché.	▶ Vérifier que le disjoncteur PRCD est en bon état et l'enclencher.
	L'alimentation réseau est coupée.	▶ Brancher un autre appareil électrique et vérifier s'il fonctionne. ▶ Contrôler les fiches de raccordement, le câble d'alimentation secteur, le câble électrique et le fusible de secteur.
	Interrupteur Marche / Arrêt défectueux.	▶ Faire réparer l'appareil par le S.A.V. Hilti.
	Système électronique défectueux.	▶ Faire réparer l'appareil par le S.A.V. Hilti.
	Présence d'eau dans le moteur.	▶ Laisser complètement sécher la carotteuse au diamant dans un endroit chaud et sec.



Défaillance	Causes possibles	Solution
 L'indicateur de maintenance s'allume.	Balais de charbon usés.	<ul style="list-style-type: none"> <li>► Remplacer les balais de charbon. → Page 34</li> </ul>
 L'indicateur de maintenance clignote.	Vitesse de rotation erronée.	<ul style="list-style-type: none"> <li>► Faire réparer l'appareil par le S.A.V. Hilti.</li> </ul>
 L'indicateur de puissance de forage clignote d'une lumière rouge.	Surchauffe du moteur.	<ul style="list-style-type: none"> <li>► Attendre quelques minutes le temps que le moteur refroidisse, ou laisser tourner à vide la carotteuse au diamant pour accélérer le refroidissement. Arrêter puis remettre la carotteuse au diamant en marche.</li> </ul>
	Problème de surcharge.	<ul style="list-style-type: none"> <li>► Arrêter puis remettre la carotteuse au diamant en marche.</li> </ul>
 L'indicateur de protection contre le vol clignote.	Carotteuse au diamant non débloquée (sur les carotteuses au diamant avec protection antivol, en option).	<ul style="list-style-type: none"> <li>► Débloquer la carotteuse au diamant à l'aide de la clé de déblocage.</li> </ul>

## 9.2 La carotteuse au diamant est en état de fonctionner

Défaillance	Causes possibles	Solution
 L'indicateur de maintenance s'allume.	Le seuil d'usure des balais de charbon est presque atteint. Le temps de fonctionnement restant jusqu'à l'arrêt automatique de la carotteuse au diamant est encore de quelques heures.	<ul style="list-style-type: none"> <li>► Faire remplacer les balais de charbon à la prochaine occasion.</li> </ul>
La carotteuse au diamant n'atteint pas la pleine puissance.	Dérangement du secteur – sous-tension dans l'alimentation secteur.	<ul style="list-style-type: none"> <li>► Vérifier si d'autres consommateurs sont à l'origine des dérangements sur le secteur ou, le cas échéant, perturbent le fonctionnement du générateur.</li> <li>► Contrôler la longueur du câble de rallonge électrique.</li> </ul>
La couronne diamantée ne tourne pas.	Variateur de vitesse non enclenché.	<ul style="list-style-type: none"> <li>► Actionner le variateur de vitesse jusqu'à ce qu'il soit enclenché.</li> </ul>
	La couronne de forage diamantée est coincée dans le matériau support.	<ul style="list-style-type: none"> <li>► Desserrage de la couronne de forage diamantée à l'aide d'une clé à fourche : Débrancher la fiche de la prise. Saisir la couronne de forage diamantée près de l'emmanchement à l'aide d'une clé à fourche appropriée et desserrer la couronne de forage diamantée en la tournant.</li> </ul>



Défaillance	Causes possibles	Solution
La couronne diamantée ne tourne pas.	La couronne de forage diamantée est coincée dans le matériau support.	Forage à l'aide du boîtier de guidage <ul style="list-style-type: none"> <li>▶ Tourner le volant à main et essayer de retirer la couronne de forage diamantée en bougeant le boîtier de guidage vers le haut et vers le bas.</li> </ul>
	Réducteur défectueux.	▶ Faire réparer l'appareil par le S.A.V. Hilti.
La vitesse de forage diminue.	Profondeur de forage maximale atteinte.	▶ Retirer la carotte et utiliser une rallonge de couronne de forage.
	Carotte coincée dans la couronne de forage diamantée.	▶ Retirer la carotte.
	Spécification erronée du matériau support.	▶ Choisir une spécification de couronne diamantée plus en adéquation.
	Forte proportion d'acier (reconnaissable à l'eau claire mêlée à des copeaux métalliques).	▶ Choisir une spécification de couronne diamantée plus en adéquation.
	Couronne de forage diamantée défectueuse.	▶ Vérifier que la couronne de forage diamantée n'est pas endommagée et la remplacer le cas échéant.
	Sélection d'un régime inapproprié.	▶ Choisir le régime approprié.
	Force d'appui trop faible.	▶ Augmenter la force d'appui.
	Puissance de l'appareil insuffisante.	▶ Augmenter la puissance d'un cran.
	Couronne de forage diamantée polie.	▶ Affûter la couronne de forage diamantée sur un banc d'affûtage.
	Quantité d'eau trop élevée.	▶ Réduire la quantité d'eau au moyen du dispositif de régulation du débit d'eau.
	Quantité d'eau insuffisante.	▶ Contrôler l'arrivée d'eau vers la couronne de forage diamantée resp. augmenter la quantité d'eau au moyen du dispositif de régulation du débit d'eau.
	Dispositif de blocage serré.	▶ Desserrer le dispositif de blocage.
L'accouplement à friction se désengage trop tôt ou glisse.	▶ Faire réparer l'appareil par le S.A.V. Hilti.	
Le volant à main se laisse tourner sans opposer de résistance.	Goupille cassée.	▶ Remplacer la goupille.
Impossible d'insérer la couronne de forage diamantée dans le porte-outil.	Emmanchement / porte-outil encrassé ou endommagé.	▶ Nettoyer l'emmanchement resp. le porte-outil, le graisser ou le remplacer.
De l'eau sort de la tête d'injection ou du boîtier d'engrènement.	Pression d'eau trop élevée.	▶ Réduire la pression d'eau.



Défaillance	Causes possibles	Solution
En cours de fonctionnement, de l'eau sort du porte-outil.	Couronne de forage diamantée insuffisamment vissée dans le porte-outil.	<ul style="list-style-type: none"> <li>▶ Serrer à fond la couronne de forage diamantée dans le porte-outil.</li> <li>▶ Enlever la couronne de forage diamantée. Tourner la couronne de forage diamantée de 90° env. autour de l'axe de la couronne de forage. Remonter la couronne de forage diamantée.</li> </ul>
	Emmanchement / porte-outil en-crassé.	▶ Nettoyer et graisser l'emmanchement resp. le porte-outil.
	Anneau d'étanchéité du porte-outil ou de l'emmanchement défectueux.	▶ Vérifier l'anneau d'étanchéité et le remplacer au besoin.
Jeu trop important du système de forage.	Couronne de forage diamantée insuffisamment vissée dans le porte-outil.	<ul style="list-style-type: none"> <li>▶ Serrer à fond la couronne de forage diamantée dans le porte-outil.</li> <li>▶ Enlever la couronne de forage diamantée. Tourner la couronne de forage diamantée de 90° env. autour de l'axe de la couronne de forage. Remonter la couronne de forage diamantée.</li> </ul>
	Emmanchement / porte-outil défectueux.	▶ Contrôler l'emmanchement et le porte-outil, et le remplacer le cas échéant.
	Jeu trop important du boîtier de guidage.	▶ Régler le jeu entre la crémaillère et le boîtier de guidage. → Page 34
	Vis desserrées sur la colonne de forage.	▶ Vérifier que les vis sur la colonne de forage sont bien serrées et, si nécessaire, les resserrer.
	Colonne de forage insuffisamment fixée.	▶ Fixer mieux la colonne de forage.

## 10 Recyclage

Les appareils **Hilti** sont fabriqués pour une grande partie en matériaux recyclables. Le recyclage présuppose un tri adéquat des matériaux. **Hilti** reprend les appareils usagés dans de nombreux pays en vue de leur recyclage. Consulter le service clients **Hilti** ou un conseiller commercial.



- ▶ Ne pas jeter les appareils électriques, électroniques et accus dans les ordures ménagères !

### 10.1 Traitement préliminaire des boues de forage en cas de recyclage

En raison de la protection de l'environnement, les boues de forage ne doivent pas être versées dans les cours d'eau ou les canalisations sans traitement approprié préalable. Veuillez vous renseigner auprès de votre administration locale sur les directives en vigueur en la matière.

1. Collecter les boues de forage (par ex. au moyen d'un aspirateur de liquides).
2. Faire décanter les boues de forage et éliminer la partie constitutive sèche sur une décharge industrielle (le procédé peut être accéléré par des agents flocculants).
3. Avant de déverser l'eau résiduelle (basique, pH > 7) dans les canalisations, il convient de la neutraliser en ajoutant un neutralisant acide ou en la diluant avec beaucoup d'eau.



## 11 **RoHS (directive relative à la limitation d'utilisation des substances dangereuses)**

---

Vous trouverez sous le lien ci-dessous le tableau des substances dangereuses : [qr.hilti.com/r3677](http://qr.hilti.com/r3677) (DD 120).  
Vous trouverez à la fin de cette documentation, sous forme de code QR, un lien menant au tableau RoHS.

## 12 **Garantie constructeur**

---

- ▶ En cas de questions sur les conditions de garantie, veuillez vous adresser à votre partenaire **Hilti** local.



## 1 Указания к документации

### 1.1 Об этом документе



#### Импортер и уполномоченная изготовителем организация

- (RU) Российская Федерация  
АО "Хилти Дистрибьюшн ЛТД", 141402, Московская область, г. Химки, ул. Ленинградская, стр. 25
- (BY) Республика Беларусь  
222750, Минская область, Дзержинский район, Р-1, 18-й км, 2 (около д. Слободка), помещение 1-34
- (KZ) Республика Казахстан  
Республика Казахстан, индекс 050011, г. Алматы, ул. Пугачева 4
- (KG) Киргизская Республика  
ОсОО "Т AND Т", 720021, Кыргызстан, Бишкек, ул. Ибраимова 29 А
- (AM) Республика Армения  
ООО Эйч-Кон, Республика Армения, г. Ереван, ул. Бабабяна 10/1

Страна производства: см. маркировочную табличку на оборудовании.

Дата производства: см. маркировочную табличку на оборудовании.

Соответствующий сертификат можно найти по адресу: [www.hilti.ru](http://www.hilti.ru)

Специальных требований к условиям хранения, транспортировки и использования, кроме указанных в руководстве по эксплуатации, нет.

Срок службы изделия составляет 5 лет.

- Ознакомьтесь с этим документом перед началом работы. Это является залогом безопасной работы и бесперебойной эксплуатации.
- Соблюдайте указания по технике безопасности и предупреждающие указания, приводимые в данном документе и на изделии.
- Храните руководство по эксплуатации всегда рядом с электроинструментом и передавайте электроинструмент будущим владельцам только вместе с этим руководством.

### 1.2 Пояснение к знакам (условным обозначениям)

#### 1.2.1 Предупреждающие указания

Предупреждающие указания служат для предупреждения об опасностях при обращении с машиной. Используются следующие сигнальные слова:



**ОПАСНО**

#### ОПАСНО !

- Общее обозначение непосредственной опасной ситуации, которая влечет за собой тяжелые травмы или смертельный исход.



**ПРЕДУПРЕЖДЕНИЕ**

#### ПРЕДУПРЕЖДЕНИЕ !

- Общее обозначение потенциально опасной ситуации, которая может повлечь за собой тяжелые травмы или смертельный исход.



**ОСТОРОЖНО**

#### ОСТОРОЖНО !

- Общее обозначение потенциально опасной ситуации, которая может повлечь за собой легкие травмы или повреждение оборудования.

#### 1.2.2 Символы, используемые в руководстве

В этом руководстве используются следующие символы:



Перед использованием прочтите руководство по эксплуатации.



	Указания по эксплуатации и другая полезная информация
	Обращение с материалами, пригодными для вторичной переработки
	Не выбрасывайте электроустройства и аккумуляторы вместе с обычным мусором!

### 1.2.3 Символы на изображениях

На изображениях используются следующие символы:

	Эти цифры указывают на соответствующее изображение в начале данного руководства.
3	Нумерация на изображениях отображает порядок выполнения рабочих операций и может отличаться от нумерации, используемой в тексте.
	Номера позиций используются в <b>обзорном</b> изображении. В <b>обзоре изделия</b> они указывают на номера в экспликации.
	Этот знак должен привлечь особое внимание пользователя при обращении с изделием.

## 1.3 Символы в зависимости от изделия

### 1.3.1 Предписывающие знаки

Используются следующие запрещающие знаки:

	Используйте защитные очки
	Используйте защитную каску
	Используйте защитные наушники
	Используйте защитные перчатки
	Используйте защитную обувь
	Используйте респиратор

### 1.3.2 Символы на изделии

На изделии могут использоваться следующие символы:

	Индикатор системы защиты от кражи
	Сервисный индикатор
	Индикатор мощности сверления
	Защитное заземление
$n_0$	Номинальная частота вращения на холостом ходу
	Устройство поддерживает технологию NFC, совместимую с платформами iOS и Android.



## 1.4 Таблички с указаниями

### На станине, опорной плите или установке алмазного бурения

	<p><b>На вакуумной опорной плите</b>  <b>Верхняя половина изображения:</b> горизонтальное сверление с вакуумным креплением разрешается выполнять только при условии дополнительного закрепления (станины).  <b>Нижняя половина изображения:</b> с вакуумным креплением без дополнительного закрепления сверлить отверстия по направлению вверх запрещается.</p>
	<p><b>На установке алмазного бурения</b>          При сверлении по направлению вверх обязательным является использование системы водоотвода в комбинации с промышленным пылесосом (для влажной уборки).</p>
	<p><b>На установке алмазного бурения</b>          Работать только с исправным автоматом защиты от тока утечки.</p>

## 1.5 Информация об изделии

Изделия предназначены для профессионального использования, поэтому они должны обслуживаться и ремонтироваться только уполномоченным и обученным персоналом. Этот персонал должен пройти специальный инструктаж по технике безопасности. Использование изделия и его оснастки не по назначению или его эксплуатация необученным персоналом могут представлять опасность.

Типовое обозначение и серийный номер указаны на заводской табличке.

- ▶ Перепишите серийный номер в нижеприведенную табличную форму. Данные изделия необходимы при обращении в наше представительство или сервисный центр.

### Указания к изделию

Установка алмазного бурения	DD 120
Поколение	01
Серийный номер:	

## 1.6 Декларация соответствия нормам

Настоящим мы с полной ответственностью заявляем, что данное изделие соответствует действующим директивам и нормам. Копию декларации соответствия нормам см. в конце этого документа.

Техническая документация (оригиналы) хранится здесь:

Hilti Entwicklungsgesellschaft mbH | Zulassung Geräte | Hiltistraße 6 | 86916 Kaufering, Германия

## 2 Безопасность

### 2.1 Общие указания по технике безопасности для электроинструментов

**⚠ ПРЕДУПРЕЖДЕНИЕ** Изучите все указания по технике безопасности, инструкции, иллюстрации и технические данные, которые прилагаются к данному электроинструменту. Несоблюдение приводимых ниже указаний может привести к поражению электрическим током, пожару и/или тяжелым травмам.

**Сохраните все указания по технике безопасности и инструкции для следующего пользователя.**





Используемый далее термин «электроинструмент» относится к электроинструменту, работающему от электрической сети (с кабелем электропитания) и от аккумулятора (без кабеля электропитания).

### Безопасность рабочего места

- ▶ **Следите за чистотой и хорошей освещенностью на рабочем месте.** Беспорядок на рабочем месте или плохое освещение могут привести к несчастным случаям.
- ▶ **Не используйте электроустройство/электроинструмент во взрывоопасной зоне, где имеются горючие жидкости, газы или пыль.** При работе электроустройство/электроинструмент искрит, и искры могут воспламенить пыль или пары/газы.
- ▶ **Не разрешайте детям и посторонним приближаться к работающему электроустройству/электроинструменту.** Отвлекаясь от работы, можно потерять контроль над электроустройством/электроинструментом.

### Электрическая безопасность

- ▶ **Соединительная вилка электроинструмента должна соответствовать розетке электросети.** Не изменяйте конструкции вилки! **Не используйте переходные вилки с электроинструментами с защитным заземлением.** Использование оригинальных вилок и соответствующих им розеток снижает риск поражения электрическим током.
- ▶ **Избегайте непосредственного контакта с заземленными поверхностями, например с трубами, отопительными приборами, газо-/электропластинами и холодильниками.** При контакте с заземленными предметами возникает повышенный риск поражения электрическим током.
- ▶ **Предохраняйте электроинструменты от дождя или воздействия влаги.** В результате попадания воды в электроинструмент возрастает риск поражения электрическим током.
- ▶ **Не используйте кабель электропитания не по назначению, например для переноски электроинструмента, его подвешивания или для выдергивания вилки из розетки электросети. Защищайте кабель электропитания от воздействий высоких температур, масла, острых кромок или вращающихся деталей/узлов.** В результате повреждения или склеивания кабелей электропитания повышается риск поражения электрическим током.
- ▶ **Если работы с электроинструментом выполняются на открытом воздухе, применяйте только удлинительные кабели, которые разрешено использовать вне помещений.** Использование удлинительного кабеля, пригодного для использования вне помещений, снижает риск поражения электрическим током.
- ▶ **Если избежать работы с электроинструментом в условиях влажности не представляется возможным, используйте автомат защиты от тока утечки.** Использование автомата защиты от тока утечки снижает риск поражения электрическим током.

### Безопасность персонала

- ▶ **Будьте внимательны, следите за своими действиями и серьезно относитесь к работе с электроинструментом. Не пользуйтесь электроинструментом, если вы устали или находитесь под действием наркотиков, алкоголя или медикаментов.** Незначительная ошибка при невнимательной работе с электроинструментом может стать причиной серьезного травмирования.
- ▶ **Используйте средства индивидуальной защиты и всегда надевайте защитные очки.** Использование средств индивидуальной защиты, например респиратора, защитной обуви на нескользящей подошве, защитной каски или защитных наушников, в зависимости от вида и условий эксплуатации электроинструмента, снижает риск травмирования.
- ▶ **Избегайте непреднамеренного включения электроинструмента. Убедитесь в том, что электроинструмент выключен, прежде чем подключить его к электропитанию и/или вставить аккумулятор, поднимать или переносить электроинструмент.** Ситуации, когда при переноске электроинструмента палец находится на выключателе или когда выключенный электроинструмент подключается к электросети, могут привести к несчастным случаям.
- ▶ **Перед включением электроинструмента удалите регулировочные приспособления или гаечные ключи.** Рабочий инструмент или гаечный ключ, находящийся во вращающейся части электроинструмента, может стать причиной получения травм.
- ▶ **Старайтесь избегать неестественных поз при работе. Постоянно сохраняйте устойчивое положение и равновесие.** Это позволит лучше контролировать электроинструмент в непредвиденных ситуациях.
- ▶ **Носите спецодежду. Не надевайте очень свободную одежду или украшения. Оберегайте волосы, одежду и защитные перчатки от вращающихся узлов электроинструмента.** Свободная одежда, украшения и длинные волосы могут быть захвачены ими.
- ▶ **Если предусмотрено подсоединение устройств для удаления и сбора пыли, убедитесь в том, что они подсоединены и используются по назначению.** Использование пылеудаляющего аппарата снижает вредное воздействие пыли.



- ▶ **Не пребывайте в ложной уверенности в собственной безопасности и не пренебрегайте правилами техники безопасности для электроинструментов, даже если вы являетесь опытным пользователем электроинструмента.** Неосторожное обращение может в течение долей секунды стать причиной получения тяжелых травм.

#### **Использование и обслуживание электроинструмента**

- ▶ **Не допускайте перегрузки электроинструмента. Используйте электроинструмент, предназначенный именно для данной работы.** Соблюдение этого правила обеспечит более высокое качество и безопасность работы в указанном диапазоне мощности.
- ▶ **Не используйте электроинструмент с неисправным выключателем.** Электроинструмент, включение или выключение которого затруднено, представляет опасность и должен быть отремонтирован.
- ▶ **Прежде чем приступить к регулировке электроинструмента, замене принадлежностей или перед перерывом в работе выньте вилку из розетки и/или аккумулятор из электроинструмента.** Данная мера предосторожности позволит предотвратить непреднамеренное включение электроинструмента.
- ▶ **Храните неиспользуемые электроинструменты в местах, недоступных для детей. Не позволяйте использовать электроинструмент лицам, которые не ознакомлены с ним или не читали эти инструкции.** Электроинструменты представляют собой опасность в руках неопытных пользователей.
- ▶ **Бережно обращайтесь с электроинструментами и принадлежностями. Проверяйте безупречное функционирование подвижных частей, легкость их хода, целостность и отсутствие повреждений, которые могли бы отрицательно повлиять на работу электроинструмента. Сдавайте поврежденные части электроинструмента в ремонт до его использования.** Причиной многих несчастных случаев является несоблюдение правил технического обслуживания электроинструментов.
- ▶ **Необходимо следить за тем, чтобы режущие инструменты были острыми и чистыми.** Заклинивание содержащихся в надлежащем состоянии режущих инструментов происходит реже, ими легче управлять.
- ▶ **Применяйте электроинструмент, принадлежности (оснастку), рабочие инструменты и т. д. согласно данным указаниям. Учитывайте при этом рабочие условия и характер выполняемой работы.** Использование электроинструментов не по назначению может привести к опасным ситуациям.
- ▶ **Замасленные рукоятки и поверхности для хвата немедленно очищайте — они должны быть сухими и чистыми.** Скользкие рукоятки и поверхности для хвата не обеспечивают безопасное управление и контроль электроинструмента в непредвиденных ситуациях.

#### **Сервис**

- ▶ **Доверяйте ремонт своего электроинструмента только квалифицированному персоналу, использующему только оригинальные запчасти.** Этим обеспечивается поддержание электроинструмента в безопасном и исправном состоянии.

## **2.2 Указания по технике безопасности для установок алмазного бурения**

- ▶ **При выполнении сверлильных работ, требующих водяного охлаждения, отводите воду в сторону от рабочей зоны или используйте подходящий сборник.** Подобные меры предосторожности позволяют держать рабочую зону в сухом виде и снижают риск поражения электрическим током.
- ▶ **При опасности повреждения режущим инструментом скрытой электропроводки или сетевого кабеля электроустановки держите ее за изолированные поверхности для хвата.** При контакте режущего инструмента с токопроводящей линией металлические части электроустановки также находятся под напряжением, что может привести к поражению электрическим током.
- ▶ **При алмазном сверлении пользуйтесь защитными наушниками.** В результате воздействия шума возможна потеря слуха.
- ▶ **В случае блокировки рабочего инструмента не выполняйте подачу и выключите электроустановку.** Проверьте причину заедания рабочего инструмента и устранили ее.
- ▶ **Перед повторным включением установки алмазного бурения, находящейся в базовом материале, проверьте, свободно ли вращается рабочий инструмент.** Если рабочий инструмент заедает, не вращается, то это может привести к его перегрузке или к тому, что установка алмазного бурения отделится от базового материала.
- ▶ **При креплении станины к базовому материалу посредством анкеров и болтов убедитесь в том, что используемое анкерное крепление в состоянии обеспечить фиксацию установки**



**во время работы.** Если базовый материал является рыхлым или пористым, анкер может выйти, вследствие чего станина отделится от базового материала.

- ▶ **При креплении станины к базовому материалу посредством вакуумной плиты следите за тем, чтобы поверхность материала была гладкой, чистой и не имела пор. Не закрепляйте станину на ламинированных поверхностях, например на керамической плитке и покрытиях композитных материалов.** Если поверхность базового материала не будет гладкой, ровной или не будет обеспечивать надежное крепление станины, вакуумная плита может отделиться.
- ▶ **Перед началом сверления и во время него следите за достаточным разрежением.** В противном случае вакуумная плита может отделиться от базового материала.
- ▶ **Не выполняйте сверление над головой и не сверлите сквозные отверстия в стене, если установка закреплена только с помощью вакуумной плиты.** При потере разрежения вакуумная плита отделяется от базового материала.
- ▶ **При сверлении сквозь стены или потолочные перекрытия позаботьтесь о безопасности людей и рабочей зоны с противоположной стороны.** Сверлильная коронка может выйти из готового отверстия, в результате чего на другой стороне могут упасть частицы/осколки обрабатываемого материала (так называемый сверлильный керн).
- ▶ **При выполнении сверлильных работ над головой всегда используйте указанный в руководстве по эксплуатации сборник. Примите меры по защите от проникновения воды в электроустановку.** Проникновение воды в электроустановку повышает риск поражения электрическим током.

## 2.3 Дополнительные указания по технике безопасности

### Безопасность персонала

- ▶ **Внесение изменений в конструкцию установки и ее модификация запрещаются.**
- ▶ **Установка не предназначена для использования физически слабыми лицами без соответствующего инструктажа.**
- ▶ **Держите установку в недоступном для детей месте.**
- ▶ **Не прикасайтесь к вращающимся деталям/узлам установки. Включайте установку только непосредственно в рабочей зоне.** Контакт с вращающимися частями, особенно с вращающимися рабочими инструментами, может привести к травмам.
- ▶ **Избегайте попадания на кожу отходов после сверления.**
- ▶ **Пыль, возникающая при обработке лакокрасочных покрытий, содержащих свинец, некоторых видов древесины, бетона/кирпичной и каменной кладки с частицами кварца, минералов, а также металла может представлять опасность для здоровья.** Вдыхание частиц такой пыли или контакт с ней может стать причиной появления аллергических реакций и/или заболеваний дыхательных путей как у пользователя, так и у находящихся поблизости лиц. Некоторые виды пыли (например, пыль, возникающая при обработке дуба или бука) считаются канцерогенными, особенно в комбинации с дополнительными материалами, используемыми для обработки древесины (соль хромовой кислоты, средства защиты древесины). К работам с асбестосодержащим материалом должны допускаться только специалисты. Используйте наиболее эффективную систему пылеудаления. Используйте эту установку в комбинации с подходящим мобильным пылеудаляющим аппаратом, рекомендованным Hilti для уборки древесных опилок и/или минеральной пыли. Обеспечьте оптимальную вентиляцию рабочего места. Рекомендуется надевать респиратор, который подходит для защиты от конкретного вида пыли. Соблюдайте действующие национальные предписания по обработке материалов.
- ▶ **Установка алмазного бурения и алмазная коронка являются тяжелыми. Существует опасность защемления частей тела. Во время работы с установкой пользователь и находящиеся в непосредственной близости лица должны использовать подходящие защитные очки, защитный шлем, защитные наушники, защитные перчатки и защитную обувь.**

### Бережное обращение с установкой и ее правильная эксплуатация

- ▶ **Убедитесь в том, что установка правильно закреплена на станине.**
- ▶ **Всегда проверяйте, установлен ли концевой упор на станине, т. к. в противном случае защитная функция упора не обеспечивается.**
- ▶ **Убедитесь в том, что рабочие инструменты имеют подходящие к зажимному патрону установки хвостовики и надлежащим образом зафиксированы в патроне.**

### Электрическая безопасность

- ▶ **Не используйте удлинительные кабели с блоком розеток с одновременным подключением сразу нескольких установок/инструментов.**
- ▶ **Подключать установку к сетям электропитания разрешается только через защитный провод с соответствующими характеристиками.**



- ▶ **Перед началом работы проверяйте рабочее место на наличие скрытой электропроводки, газо- и водопроводных труб, например, с помощью металлоискателя.** Открытые металлические части установки могут стать проводниками электрического тока, например, при случайном повреждении электропроводки. При этом высока вероятность поражения электрическим током.
- ▶ **Следите за тем, чтобы кабель электропитания не был поврежден при подаче каретки.**
- ▶ **Категорически запрещается использование установки без входящего в комплект автомата токовой защиты (для установок без автомата токовой защиты — без раздельного трансформатора).** Перед началом работ всегда проверяйте исправность автомата токовой защиты.
- ▶ **Регулярно проверяйте кабель электропитания установки. Замена поврежденного кабеля должна осуществляться специалистом-электриком.** В случае повреждения кабеля электропитания установки его следует заменить другим специально предназначенным для замены и допущенным к эксплуатации кабелем, который можно заказать через отдел по обслуживанию клиентов. Регулярно проверяйте удлинительные кабели и при наличии поврежденных замените их. Если во время работы кабель электропитания или удлинительный кабель был поврежден, прикасаться к нему запрещается. Выньте вилку кабеля из розетки электросети. Поврежденные кабели электропитания и удлинительные кабели представляют опасность поражения электрическим током.
- ▶ **Пользоваться грязной или мокрой установкой запрещается.** При неблагоприятных условиях влага и пыль, скапливающаяся на поверхности установки (особенно от токопроводящих материалов), могут вызвать удар электрическим током. Поэтому регулярно обращайтесь в сервисный центр Hilti для проверки загрязненных установок, особенно если вы часто используете их для обработки токопроводящих материалов.

#### Рабочее место

- ▶ **Перед началом сверильных/бурильных работ согласуйте их с начальником строительного участка (прорабом).** Выполнение отверстий в зданиях и других конструкциях изменяет их прочность, особенно при перерезании арматуры или элементов несущих конструкций.
- ▶ **При неправильной закреплении станины перемещайте смонтированную на ней установку всегда до упора вниз во избежание опрокидывания.**
- ▶ **Кабель электропитания и удлинительные кабели, всасывающий и вакуумный шланги держите на безопасном расстоянии от подвижных частей установки.**
- ▶ **При сверлении по направлению вверх обязательным является использование системы водоотвода в комбинации с промышленным пылесосом для влажной уборки.**
- ▶ **Выполнение сверильных работ по направлению вверх с вакуумным креплением без дополнительного крепления не допускается.**
- ▶ **Горизонтальное сверление с вакуумным креплением (принадлежность) разрешается выполнять только при условии дополнительного крепления станины.**

## 3 Описание

### 3.1 Использование по назначению

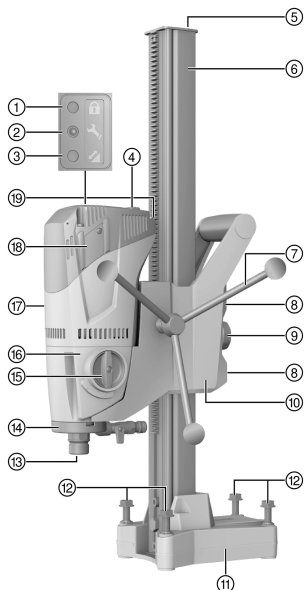
Эта установка представляет собой электрическую установку алмазного бурения. Она предназначена для мокрого сверления с использованием станины сквозных и глухих отверстий в (армированных) минеральных материалах. **Ручное использование установки алмазного бурения не допускается.**

Эта установка предназначена для профессионального использования, поэтому может обслуживаться и ремонтироваться только уполномоченным и обученным персоналом. Этот персонал должен пройти специальный инструктаж по технике безопасности. Использование этой установки и ее дополнительного оборудования не по назначению или его эксплуатация необученным персоналом могут представлять опасность.

- ▶ При работе с установкой алмазного бурения всегда используйте станину. Необходимо обеспечить достаточно жесткое крепление станины к основанию посредством анкерной или вакуумной опорной плиты.
- ▶ Для регулировки опорной плиты запрещается использовать ударный инструмент (например, молоток).
- ▶ Эксплуатация установки возможна только при напряжении и частоте электросети, которые соответствуют указанным на заводской табличке.
- ▶ Соблюдайте национальные требования охраны труда.
- ▶ Соблюдайте указания по технике безопасности и по эксплуатации принадлежностей при работе с ними.
- ▶ Во избежание травмирования используйте только оригинальные принадлежности и алмазные коронки фирмы Hilti.



## 3.2 Элементы управления и компоненты установки 1



### Установка алмазного бурения DD 120

- ① Индикатор системы защиты от кражи (опция)
- ② Сервисный индикатор
- ③ Индикатор мощности сверления
- ④ Выключатель
- ⑤ Концевой упор (ограничитель)
- ⑥ Направляющая
- ⑦ Маховик
- ⑧ Регулировочные винты для регулировки зазора каретки (4 шт.)
- ⑨ Устройство фиксации каретки
- ⑩ Каретка
- ⑪ Анкерная опорная плита
- ⑫ Установочные винты (4 шт.)
- ⑬ Зажимной патрон
- ⑭ Муфта для промывки
- ⑮ Переключатель редуктора
- ⑯ Редуктор
- ⑰ Двигатель
- ⑱ Защитный кожух угольных щеток
- ⑲ Кабель электропитания вкл. автомат защиты от тока утечки (PRCD)

### 3.2.1 Вакуумная опорная плита (принадлежность) 2

- ⑳ Натяжной шпindelь
- ㉑ Соединительный штуцер вакуумного шланга
- ㉒ Манометр
- ㉓ Вакуумный клапан
- ㉔ Вакуумный уплотнитель

### 3.2.2 Крепление 3

- ㉕ Натяжной шпindelь
- ㉖ Анкер
- ㉗ Зажимная гайка шпинделя

### 3.2.3 Система водоотвода 4

- ㉘ Держатель водяного коллектора
- ㉙ Водосборник

## 3.3 Сервисный индикатор

Электроинструмент оснащен сервисным световым индикатором.

## 3.4 Комплект поставки

Установка алмазного бурения, маховик, руководство по эксплуатации.

Станина поставляется отдельно. Другие системные принадлежности, допущенные для использования с этим изделием, вы можете найти в **Hilti Store** или на сайте **www.hilti.group**.

## 3.5 Использование генератора или трансформатора

Инструмент может получать электропитание от генератора или трансформатора при соблюдении следующих требований: выходная мощность источника электропитания (Вт) минимум в два раза больше мощности, указанной на заводской табличке установки; рабочее напряжение находится в пределах от +5 % до -15 % от номинального напряжения; частота тока должна составлять 50–60 Гц, ни в коем случае не выше 65 Гц, а также имеется автоматический стабилизатор напряжения с пусковым усилителем.



**i** При включении/выключении других устройств возможны скачки напряжения электропитания, которые могут повредить установку.

## 4 Технические данные

### 4.1 Технические данные

<b>Масса (с направляющей длиной 600 мм) согласно процедуре ЕРТА 01</b>	9,8 кг
<b>Макс. допустимое давление воды в подающей линии</b>	6 бар
<b>Номинальная скорость вращения на 1-й ступени</b>	740 об/мин
<b>Номинальная скорость вращения на 2-й ступени</b>	1 580 об/мин
<b>Размеры станины с направляющей небольшой длины (Д x Ш x В)</b>	330 мм x 147 мм x 600 мм
<b>Размеры станины с направляющей средней длины (Д x Ш x В)</b>	330 мм x 147 мм x 720 мм
<b>Размеры станины с направляющей большой длины (Д x Ш x В)</b>	330 мм x 147 мм x 830 мм
<b>Класс защиты</b>	Класс защиты I (заземление)

### 4.2 Ступени вращения и соответствующий диаметр алмазной коронки

**i** \* Диаметр сверления см. на заводской табличке.  
В бетонных основаниях с небольшим количеством арматуры для достижения более высокой производительности сверление отверстий диаметром до Ø 82 мм (3 1/2") допускается выполнять на второй ступени (скорости).

Ступень	Диаметр алмазной коронки	Частота вращения без нагрузки
1	57 ... 132 (*162) мм	740 об/мин
2	16 ... 52 мм	1 580 об/мин

### 4.3 Данные по шуму и вибрациям согласно EN 62841

Приводимые здесь значения уровня звукового давления и вибрации были измерены согласно стандартизированной процедуре измерения и могут использоваться для сравнения электроинструментов между собой. Они также подходят для предварительной оценки вредных воздействий.

Указанные данные применимы к основным областям применения электроинструмента. Однако, если электроинструмент используется для других целей, с другими рабочими (сменными) инструментами или в случае его неудовлетворительного технического обслуживания, данные могут быть иными. Вследствие этого в течение всего периода работы электроинструмента возможно значительное увеличение вредных воздействий.

Для точного определения вредных воздействий следует также учитывать промежутки времени, в течение которых электроинструмент находится в выключенном состоянии или работает вхолостую. Вследствие этого в течение всего периода работы электроинструмента возможно заметное уменьшение вредных воздействий.

Примите дополнительные меры безопасности для защиты пользователя от воздействия возникающего шума и/или вибраций, например: техническое обслуживание электроинструмента и рабочих (сменных) инструментов, сохранение тепла рук, правильная организация рабочих процессов.

#### Данные о шуме

<b>Среднее A-скорректированное значение уровня звуковой мощности</b>	102 дБ
<b>Среднее A-скорректированное значение уровня звукового давления</b>	89 дБ
<b>Погрешность вышеприведенных значений уровня звукового давления</b>	3 дБ



## Значения вибрации

Сверление в бетоне (мокрый способ), $a_h$	2,5 м/с <sup>2</sup>
Погрешность (K)	1,5 м/с <sup>2</sup>

## 5 Подготовка к работе

### ПРЕДУПРЕЖДЕНИЕ

**Опасность травмирования!** При нестабильном закреплении возможно смещение (вращение) или опрокидывание станины.

- ▶ Перед началом работы с установкой алмазного сверления закрепите станину с помощью анкеров или вакуумной опорной плиты на базовом материале (обрабатываемом основании).
- ▶ Используйте только подходящие для данного базового материала анкера и соблюдайте указания по монтажу от их изготовителя.
- ▶ Используйте вакуумную опорную плиту только в том случае, если базовый материал подходит для закрепления станины с использованием вакуумного крепления.

### 5.1 Смонтируйте маховик на установке алмазного бурения.

1. Извлеките шплинт и установите маховик на ось.
2. Зафиксируйте маховик шплинтом.



Маховик можно устанавливать с обеих сторон каретки.

### 5.2 Крепление установки алмазного бурения к станине

#### ОСТОРОЖНО

**Опасность травмирования** Опасность вследствие непреднамеренного пуска установки алмазного бурения.

- ▶ Во время работ по очистке установка алмазного бурения должна быть отсоединена от сети электропитания.
1. С помощью ключа-шестигранника отпустите расположенный внутри винт.
  2. Снимите концевой упор с направляющей.
  3. Разблокируйте устройство фиксации каретки, полностью отвернув поворотную кнопку.
  4. Установите установку алмазного бурения через предназначенный для нее проем на направляющую.
  5. Чтобы полностью надвинуть установку алмазного бурения на направляющую, используйте маховик.
  6. Закрепите установку алмазного бурения путем полного заворачивания устройства фиксации каретки.
  7. Проверьте надежность крепления установки алмазного бурения небольшим вращением маховика.
  8. Смонтируйте концевой упор на направляющей и проверьте надежность крепления.



Проверьте зазор каретки и при необходимости отрегулируйте его. → страница 55

### 5.3 Анкерное крепление станины

#### ПРЕДУПРЕЖДЕНИЕ

**Опасность травмирования вследствие использования неподходящих анкеров!** Возможна поломка установки и материальный ущерб.

- ▶ Используйте подходящий для имеющегося основания анкер и следуйте указаниям по монтажу от изготовителя анкеров.



**Hilti** Металлические распорные анкера M12 обычно используются для крепления оснастки для алмазного бурения на нерастрескавшемся бетоне. Однако, при определенных условиях может потребоваться альтернативное крепление. С вопросами относительно надежности крепления обращайтесь в сервисную службу **Hilti**.



1. Установите на расстоянии 203 мм (8") от центра отверстия подходящий для данного базового материала анкер.
2. Вверните натяжной шпindel в анкер.
3. Выворачивайте все регулировочные винты до тех пор, пока анкерная опорная плита не установится заподлицо с базовым материалом.
4. Установите станину через натяжной шпindel и отцентрируйте ее.
5. Навинтите натяжную гайку на натяжной шпindel без затяжки.
6. Выровняйте опорную плиту с помощью 4 нивелировочных винтов.



Все регулировочные винты должны плотно прилегать к базовому материалу.

7. Зафиксируйте станину зажимной гайкой шпинделя и гаечным ключом (SW 19).
8. Проверьте надежность крепления станины.

#### 5.4 Крепление станины с помощью вакуумной опорной плиты (принадлежность)



##### **ОПАСНО**

##### **Опасность вследствие падения установки алмазного бурения! !**

- ▶ Крепление станины на потолочном перекрытии с помощью только вакуумного крепления не разрешается. В этом случае необходимо дополнительное крепление, например, посредством тяжелой опорной строительной стойки или установочного винта.



##### **ПРЕДУПРЕЖДЕНИЕ**

##### **Опасность травмирования вследствие недостаточного контроля давления! !**

- ▶ Перед началом работы и во время ее выполнения стрелка манометра должна находиться в зеленой области.



Убедитесь в том, что выбранная вами алмазная коронка не повредит вакуумную опорную плиту. Перед позиционированием станины убедитесь в том, что имеется достаточно места для монтажа и выполнения необходимых манипуляций.

Используйте вакуумное крепление только для работы с коронками диаметром  $\leq 300$  мм ( $\leq 12$ " ) и без использования проставки.

1. Проведите от центра отверстия в направлении места установки алмазного бурения линию длиной примерно 800 мм (31,5").
2. Нанесите на расстоянии 203 мм (8") от центра отверстия маркировочную линию перпендикулярно линии-ориентир.
3. Выворачивайте все регулировочные винты до тех пор, пока анкерная опорная плита не установится заподлицо с базовым материалом.
4. Установите станину на вакуумную опорную плиту через шпindel.
  - ▶ Анкерная опорная плита установлена заподлицо с концевыми упорами вакуумной опорной плиты.
5. Зафиксируйте станину зажимной гайкой шпинделя и гаечным ключом SW 19.
6. Подсоедините вакуумный штуцер вакуумной опорной плиты к вакуумному насосу.
7. Включите вакуумный насос и прижмите вакуумную опорную плиту к базовому материалу.
8. Для центрирования установки алмазного бурения нажмите и удерживайте нажатым вакуумный выпускной клапан.



Для центрирования используйте разметку на анкерной опорной плите и маркировочную линию.

9. Отпустите вакуумный выпускной клапан и прижмите вакуумную опорную плиту к базовому материалу.
10. Проверьте надежность крепления станины.
11. При необходимости выровняйте установку алмазного бурения с помощью 4 регулировочных винтов.





## 5.5 Монтаж соединительной муфты водяного шланга (принадлежность)

### ВНИМАНИЕ

**Угроза при неправильном использовании!** Вследствие неправильного использования возможно повреждение шланга.

- ▶ Регулярно проверяйте шланги на отсутствие повреждений. Следите за тем, чтобы максимально допустимое давление подачи воды в них не превышало 6 бар.
- ▶ Не допускайте соприкосновения шланга с вращающимися частями.
- ▶ Следите за тем, чтобы шланг не был поврежден при подаче каретки.
- ▶ Максимальная температура воды: 40 °C.
- ▶ Проверьте подключенную систему водоснабжения на герметичность.



Во избежание повреждения компонентов используйте только свежую воду или воду без частиц грязи.

Между установкой и подающим водопроводом возможна установка доступного в виде опции датчика расхода воды.

1. Закройте регулятор расхода воды на установке алмазного бурения.
2. Подсоедините шланг к системе подачи воды.

## 5.6 Монтаж системы водоотвода (принадлежность)

### ПРЕДУПРЕЖДЕНИЕ

**Опасность травмирования вследствие удара электрическим током!** При неисправном отсосе возможно попадание воды через двигатель и кожух!

- ▶ Немедленно прервите работу, если система отсоса не работает.

### ОСТОРОЖНО

**Опасность травмирования!** Непреднамеренное включение электроинструмента

- ▶ Перед регулировкой электроинструмента или заменой принадлежностей вынимайте вилку из розетки электросети.



Установка алмазного бурения должна быть установлена под углом 90° к потолочному перекрытию. Уплотнительная шайба системы водоотвода должна соответствовать диаметру алмазной коронки.

Система водоотвода обеспечивает эффективный отвод воды, не допуская при этом загрязнения рабочей зоны.

1. Выверните винт на станине.
2. Закрепите держатель водосборника винтом на станине.
3. Установите водосборник со смонтированным уплотнением и уплотнительной шайбой между двумя подвижными консолями держателя.
4. Прикрепите водосборник на держателе с помощью двух винтов к базовому материалу.
5. Подсоедините к водосборнику промышленный пылесос для влажной уборки или шланг для отвода воды.

## 5.7 Установка алмазной коронки (зажимной патрон BI+)

### ОПАСНО

**Опасность травмирования** Обломки базового материала (заготовки) или осколки разрушенных рабочих инструментов могут отлетать в стороны и травмировать даже за пределами рабочей зоны.

- ▶ Не используйте поврежденные рабочие инструменты. Перед каждым использованием проверяйте рабочие инструменты на отсутствие сколов и трещин, а также на износ или сильное истирание.



**⚠ ОСТОРОЖНО**

**Опасность травмирования!** Непреднамеренное включение электроинструмента

- ▶ Перед регулировкой электроинструмента или заменой принадлежностей вынимайте вилку из розетки электросети.



Алмазные коронки подлежат замене сразу после заметного снижения их производительности. Как правило, замена необходима, если высота алмазных сегментов становится меньше 2 мм (1/16").

Для зажимных патронов C-Rod, A-Rod, M27 и BR используется гаечный ключ SW 27.

1. Закрепите установку алмазного бурения путем полного заворачивания устройства фиксации каретки.
2. Разблокируйте зажимной патрон (BI+) вращением в направлении, указанном символом открытой скобки.
3. Вставьте хвостовик алмазной коронки снизу в зубчатое зацепление зажимного патрона на установке алмазного бурения.
4. Закройте зажимной патрон, вращая его в направлении символа «закрыть» (закрытая скобка).
5. Проверьте надежность фиксации алмазной коронки в зажимном патроне.

**5.8 Выбор скорости вращения****⚠ ОСТОРОЖНО**

**Опасность износа!** Опасность повреждения редуктора!

- ▶ Не изменяйте положение переключателя редуктора во время работы установки. Дождитесь остановки шпинделя.

1. Выберите положение переключателя скорости вращения в соответствии с диаметром используемой коронки.
2. Установите переключатель в требуемое положение, одновременно вращая алмазную коронку вручную.

**5.9 Снятие алмазной коронки (зажимной патрон BI+)****⚠ ОПАСНО**

**Опасность травмирования** Обломки базового материала (заготовки) или осколки разрушенных рабочих инструментов могут отлетать в стороны и травмировать даже за пределами рабочей зоны.

- ▶ Не используйте поврежденные рабочие инструменты. Перед каждым использованием проверяйте рабочие инструменты на отсутствие сколов и трещин, а также на износ или сильное истирание.

**⚠ ОСТОРОЖНО**

**Опасность травмирования!** Непреднамеренное включение электроинструмента

- ▶ Перед регулировкой электроинструмента или заменой принадлежностей вынимайте вилку из розетки электросети.



У станков с зажимными патронами C-Rod, A-Rod, M27 и BR заблокируйте вал с помощью гаечного ключа SW 27, а затем снимите алмазную коронку с помощью подходящего гаечного ключа.

1. Закрепите установку алмазного бурения путем полного заворачивания устройства фиксации каретки.
2. Разблокируйте зажимной патрон (BI+) вращением в направлении, указанном символом открытой скобки.
3. Затяните втулку в направлении стрелки к установке, чтобы разблокировать алмазную коронку.
4. Извлеките алмазную коронку из зажимного патрона (BI+).



## 6 Эксплуатация

### 6.1 Система защиты от кражи TPS (опция)

В виде опции предусмотрено оснащение электроинструмента функцией защиты от кражи TPS. В этом случае разблокировка и работа с электроинструментом возможны только с предусмотренным для этого ключом.

### 6.2 Разблокировка установки с системой защиты от кражи (TPS)

1. Вставьте вилку кабеля электропитания установки алмазного бурения в розетку электросети.
2. Нажмите кнопку «Reset» или кнопку «I» устройства защитного отключения (УЗО).
  - После этого замигает желтая лампа системы защиты от кражи.
3. Разместите ключ для разблокировки непосредственно на пиктограмме замка.
  - Желтая лампа системы защиты от кражи погаснет, и установка будет разблокирована.



В случае прерывания тока функциональная способность установки сохраняется примерно в течение 20 мин. При более длительных перерывах функция защиты от кражи должна быть активирована повторно с помощью ключа для разблокировки.

### 6.3 Автомат защиты от тока утечки (PRCD)

1. Вставьте вилку кабеля электропитания установки алмазного бурения в розетку электросети с заземлением.
2. Нажмите кнопку «I» или «RESET» на автомате защиты от тока утечки.
  - Индикация активируется.
3. Нажмите кнопку «0» или «TEST» на автомате защиты от тока утечки.
  - Индикация деактивируется (погаснет).



#### ПРЕДУПРЕЖДЕНИЕ

**Опасность травмирования вследствие удара электрическим током!** Если индикатор на проводе УЗО при нажатии кнопки **0** или **TEST** не гаснет, дальнейшая эксплуатация установки алмазного бурения запрещается!

- ▶ Сдайте установку алмазного бурения для ремонта в сервисный центр **Hilti**.
4. Нажмите кнопку «I» или «RESET» на автомате защиты от тока утечки.
    - Индикация активируется.

### 6.4 Эксплуатация установки алмазного бурения без промышленного пылесоса

1. Путем плавного открывания регулятора расхода воды установите нужный расход.



Установка алмазного бурения может эксплуатироваться с системой водоотвода и без нее. С помощью системы водоотвода отработанная вода отводится через шланг, а не вытекает бесконтрольно. При использовании системы водоотвода сначала смонтируйте систему водоотвода → страница 51.

В обоих случаях сверление отверстий по направлению вверх (над головой) не разрешается.

2. Переключите выключатель в положение «I».
3. Разблокируйте устройство фиксации каретки.
4. Вращая маховик, подведите алмазную коронку к основанию.
5. В начале сверления не давите сильно на коронку, пока она не отцентрируется, и только затем увеличивайте нажим.
6. Следите за индикатором мощности сверления.



Вначале индикатор мощности сверления горит оранжевым. Оптимальная мощность сверления достигается, когда индикатор мощности сверления загорается зеленым. В случае красного индикатора мощности сверления уменьшите давление прижима.



## 6.5 Эксплуатация установки алмазного бурения с промышленным пылесосом



### ПРЕДУПРЕЖДЕНИЕ

**Опасность травмирования вследствие удара электрическим током!** При неисправном отсосе возможно попадание воды через двигатель и кожу!

► Немедленно прервите работу, если система отсоса не работает.

1. Смонтируйте систему водоотвода → страница 51 и подсоедините промышленный пылесос.
2. Включите промышленный пылесос, не используя автоматический режим.
3. Путем плавного открывания регулятора расхода воды установите нужный расход.
4. Переключите выключатель в положение «I».
5. Разблокируйте устройство фиксации каретки.
6. Вращая маховик, подведите алмазную коронку к основанию.
7. В начале сверления не давите сильно на коронку, пока она не отцентрируется, и только затем увеличивайте нажим.
8. Следите за индикатором мощности сверления.



Вначале индикатор мощности сверления горит оранжевым. Оптимальная мощность сверления достигается, когда индикатор мощности сверления загорается зеленым. В случае красного индикатора мощности сверления уменьшите давление прижима.

## 6.6 Порядок действий в случае заклинивания алмазной коронки

При заклинивании коронки сначала срабатывает фрикционная муфта. Затем электроника отключает двигатель и без ручного вмешательства пользователя автоматически дважды включает снова. Если это не помогает, электроника отключает двигатель на 90 с. Устранить заклинивание вручную можно следующим образом:

### 6.6.1 Отсоединение буровой коронки с помощью рожкового ключа

1. Выньте вилку кабеля электропитания из розетки электросети.
2. Захватите хвостовик алмазной коронки подходящим рожковым ключом и освободите ее путем отворачивания.
3. Вставьте вилку кабеля электропитания в розетку.
4. Продолжите процесс сверления.

### 6.6.2 Расфиксация алмазной коронки с помощью маховика

1. Выньте вилку кабеля электропитания из розетки электросети.
2. Извлеките коронку из базового материала с помощью маховика.
3. Вставьте вилку кабеля электропитания в розетку.
4. Продолжите процесс сверления.

## 6.7 Выключение установки алмазного бурения



### ПРЕДУПРЕЖДЕНИЕ

**Опасность для людей и материала** При сверлении по направлению вверх алмазная коронка наполняется водой. В этом случае возможно повреждение установки алмазного бурения, а также повышается опасность поражения электрическим током.

► По окончании сверления по направлению вверх прежде всего следует осторожно слить воду. Для этого следует отсоединить подачу воды на регуляторе расхода воды и слить воду, открыв регулятор. Вода не должна стекать по двигателю и кожу.

1. Закройте регулятор расхода воды на установке алмазного бурения.
2. Выньте алмазную коронку из отверстия.
3. Зафиксируйте установку алмазного бурения с помощью устройства фиксации каретки.
4. Выключите установку алмазного бурения.
5. Отключите промышленный пылесос для влажной уборки (при наличии).



## 6.8 Демонтаж установки алмазного бурения

1. Выньте вилку кабеля электропитания из розетки электросети.
2. Порядок снятия алмазной коронки см. в главе «Снятие алмазной коронки». → страница 52.
3. При необходимости извлеките сверлильный керн.
4. Демонтируйте установку алмазного бурения с базового материала.



При демонтаже системы в сборе рекомендуется переместить установку после выключения полностью вниз по направляющей, чтобы коронка касалась базового материала. Благодаря этому предотвращается опрокидывание установки алмазного бурения.

## 7 Уход и техническое обслуживание

### 7.1 Уход и техническое обслуживание



#### ПРЕДУПРЕЖДЕНИЕ

**Опасность травмирования вследствие удара электрическим током!** Выполнение работ по уходу и обслуживанию с подключенной вилкой кабеля электропитания может привести к тяжелым травмам и ожогам.

- ▶ Перед проведением любых работ по уходу и обслуживанию всегда вынимайте из розетки вилку кабеля электропитания!

#### Уход

- Осторожно удаляйте налипшую грязь.
- Осторожно очищайте вентиляционные прорези сухой щеткой.
- Очищайте корпус только с помощью слегка увлажненной ткани. Не используйте средства по уходу с содержанием силикона, поскольку они могут повредить пластиковые детали.

#### Техническое обслуживание



#### ПРЕДУПРЕЖДЕНИЕ

**Опасность вследствие удара электрического тока!** Неквалифицированный ремонт компонентов электрической части может привести к получению серьезных травм и ожогам.

- ▶ Ремонт электрической части перфоратора поручайте только специалисту-электрику.
- Регулярно проверяйте все видимые части электроинструмента на отсутствие повреждений, а элементы управления — на исправное функционирование.
- При повреждениях и/или функциональных сбоях не используйте инструмент. Сразу сдавайте его в сервисный центр **Hilti** для ремонта.
- После ухода за электроинструментом и его технического обслуживания установите все защитные приспособления на место и проверьте их исправное функционирование.



Для обеспечения безопасной эксплуатации используйте только оригинальные запасные части и расходные материалы. Допущенные нами запасные части, расходные материалы и принадлежности для данного устройства вы можете найти в **Hilti Store** или на сайте **www.hilti.group**.

### 7.2 Регулировка зазора между направляющим рельсом и кареткой

1. Затяните регулировочные винты ключом-шестигранником.

Технические данные	
Момент затяжки	5 Н·м

2. Снова отпустите регулировочные винты на 1/4 оборота.
3. Каретка отрегулирована правильно, если она при отсутствии алмазной коронки остается в своем рабочем положении, а с коронкой перемещается вниз.



### 7.3 Замена угольных щеток



#### **ПРЕДУПРЕЖДЕНИЕ**

**Опасность травмирования вследствие удара электрическим током!**

- ▶ Установка может эксплуатироваться, обслуживаться и ремонтироваться только уполномоченным и обученным персоналом! Этот персонал должен быть специально проинформирован о возможных опасностях.



#### **ПРЕДУПРЕЖДЕНИЕ**

**Опасность травмирования вследствие удара электрическим током!** Выполнение работ по уходу и обслуживанию с подключенной вилкой кабеля электропитания может привести к тяжелым травмам и ожогам.

- ▶ Перед проведением любых работ по уходу и обслуживанию всегда вынимайте из розетки вилку кабеля электропитания!

1. Откройте защитные кожухи угольных щеток слева и справа от двигателя.
2. **Обратите внимание на то, как установлены угольные щетки и уложены проводники.** Извлеките использованные угольные щетки из установки.
3. Установите новые угольные щетки точно так, как были установлены снятые щетки.



При замене следите за тем, чтобы не повредить изоляцию сигнального провода.

4. Приверните защитные кожухи угольных щеток слева и справа от двигателя.
5. Дайте угольным щеткам приработаться на холостом ходу в течение одной минуты в непрерывном режиме работы.
  - Примерно через 1 мин времени работы сигнальная лампа погаснет.

## 8 Транспортировка и хранение

### Транспортировка

- ▶ Транспортировка этой установки с установленным рабочим инструментом запрещается.
- ▶ Убедитесь в надежной фиксации при транспортировке.
- ▶ Регулярно проверяйте все видимые части установки на отсутствие повреждений, а элементы управления — на исправное функционирование.

### Хранение

- ▶ Храните эту установку всегда с вынутой вилкой кабеля электропитания.
- ▶ Храните эту установку в сухом и недоступном для детей и других лиц, не допущенных к работе, месте.
- ▶ Регулярно проверяйте все видимые части установки на отсутствие повреждений, а элементы управления — на исправное функционирование.

### 8.1 Транспортировка установки алмазного бурения



#### **ПРЕДУПРЕЖДЕНИЕ**

**Опасность травмирования!** Отдельные детали могут расфиксироваться и упасть.






- ▶ Не подвешивайте установку алмазного бурения и/или станину на кране.
- ▶ Транспортировка установки алмазного бурения, станины и алмазной коронки должна выполняться раздельно.
  - Для облегчения транспортировки используйте тележку (принадлежность).
- ▶ Перед постановкой установки алмазного бурения на хранение откройте регулятор расхода воды.

## 9 Помощь при неисправностях


- ▶ В случае неисправностей, которые не указаны в этой таблице или которые вы не можете устранить самостоятельно, обращайтесь в ближайший сервисный центр **Hilti**.



## 9.1 Установка алмазного сверления неисправна

Неисправность	Возможная причина	Решение
 Сервисный индикатор ничего не показывает.	Автомат защиты от тока утечки не включен.	▶ Проверьте автомат защиты от тока утечки на исправность функционирования и включите его.
	Отсутствует/прервано сетевое электропитание.	▶ Подключите другой электроинструмент и проверьте его функционирование. ▶ Проверьте штекерные соединения, кабель электропитания, электрокабель и сетевой предохранитель.
	Неисправен выключатель.	▶ Обратитесь в сервисную службу Hilti.
	Неисправен электронный блок.	▶ Обратитесь в сервисную службу Hilti.
	Попадание влаги в двигатель.	▶ Дайте установке алмазного бурения полностью высохнуть в теплом и сухом месте.
 Сервисный индикатор горит непрерывно.	Угольные щетки изношены.	▶ Замените угольные щетки. → страница 56
 Сервисный индикатор мигает.	Сбой частоты вращения	▶ Обратитесь в сервисную службу Hilti.
 Индикатор мощности бурения мигает красным.	Двигатель перегрет.	▶ Подождите несколько минут, пока двигатель не остынет, или дайте поработать установке на холостом ходу для ускорения процесса охлаждения. Выключите установку, а затем снова включите ее.
	Перегрузка установки	▶ Выключите установку, а затем снова включите ее.
 Индикатор системы защиты от кражи мигает.	Установка алмазного бурения не разблокирована (в случае использования установки с системой защиты от кражи (опция)).	▶ Разблокируйте установку алмазного бурения с помощью ключа для разблокировки.

## 9.2 Установка алмазного сверления исправна

Неисправность	Возможная причина	Решение
 Сервисный индикатор горит непрерывно.	Почти достигнута граница износа угольных щеток. Оставшееся время до автоматического выключения установки алмазного бурения составляет всего несколько часов.	▶ Замените угольные щетки в самое ближайшее время.



Неисправность	Возможная причина	Решение
Установка алмазного бурения не генерирует полную мощность.	Сбой э/сети — в электросети пониженное напряжение.	<ul style="list-style-type: none"> <li>▶ Проверьте, не мешают ли работе другие потребители, подключенные к электросети или к генератору.</li> <li>▶ Проверьте длину используемого удлинительного кабеля.</li> </ul>
Алмазная коронка не вращается.	Переключатель скоростей не зафиксирован.	▶ Поворачивайте переключатель скоростей до его фиксации.
	Алмазную коронку заклинило в основании (базовом материале).	<ul style="list-style-type: none"> <li>▶ Расфиксируйте алмазную коронку с помощью рожкового ключа: Выньте вилку сетевого кабеля из розетки э/сети. Захватите хвостовик алмазной коронки подходящим рожковым ключом и освободите ее путем отворачивания.</li> </ul>
	Неисправен редуктор.	<p>Бурение с использованием станины</p> <ul style="list-style-type: none"> <li>▶ Поверните маховик и попробуйте высвободить алмазную коронку путем раскачивания каретки вверх-вниз.</li> </ul> <p>▶ Обратитесь в сервисную службу Hilti.</p>
Скорость сверления падает.	Достигнута максимальная глубина бурения.	▶ Удалите керн и используйте коронку с удлинительным элементом.
	Керн западает в алмазной коронке.	▶ Удалите керн.
	Коронка не соответствует базовому материалу.	▶ Выберите подходящую алмазную коронку.
	Высокая доля металлических включений (можно распознать по наличию металлических опилок/стружки в прозрачной воде).	▶ Выберите подходящую алмазную коронку.
	Алмазная коронка неисправна.	▶ Проверьте алмазную коронку на повреждения и при необходимости замените ее.
	Выбрана неправильная скорость.	▶ Выберите правильную скорость.
	Недостаточное усилие прижима.	▶ Увеличьте усилие прижима.
	Недостаточная мощность установки	▶ Выберите более низкую скорость.
	Алмазная коронка сточена (заполирована).	▶ Заточите алмазную коронку на плите для заточки.
	Слишком большой объем воды.	▶ Уменьшите расход воды с помощью регулятора.
	Недостаточный объем воды.	▶ Проверьте подачу воды к алмазной коронке или увеличьте объем подаваемой воды посредством регулятора расхода воды.
Тормоз заблокирован.	▶ Разблокируйте тормоз.	





Неисправность	Возможная причина	Решение
Скорость сверления падает.	Фрикционная муфта срабатывает слишком быстро или проворачивается.	► Обратитесь в сервисную службу Hilti.
Маховик проворачивается без сопротивления.	Сломан шплинт	► Замените шплинт.
Алмазная коронка не устанавливается в патроне.	Поврежден или загрязнен хвостовик/патрон.	► Очистите хвостовик или патрон, смажьте или замените их.
Из муфты подачи воды или из корпуса редуктора вытекает вода.	Слишком высокое давление воды.	► Уменьшите давление воды.
При работе из патрона выходит вода.	Алмазная коронка не полностью ввинчена в патрон.	► Заверните алмазную коронку до упора. ► Снимите алмазную коронку. Поверните алмазную коронку примерно на 90° вокруг ее оси. Снова смонтируйте алмазную коронку.
	Загрязнен хвостовик/патрон.	► Очистите и смажьте хвостовик или патрон.
	Неисправность уплотнения патрона или хвостовика	► Проверьте уплотнение и при необходимости замените его.
Система бурения имеет слишком большой зазор.	Алмазная коронка не полностью ввинчена в патрон.	► Заверните алмазную коронку до упора. ► Снимите алмазную коронку. Поверните алмазную коронку примерно на 90° вокруг ее оси. Снова смонтируйте алмазную коронку.
	Неисправен хвостовик/патрон.	► Проверьте хвостовик и патрон и при необходимости замените их.
	Каретка имеет слишком большой зазор.	► Отрегулируйте зазор между направляющей и кареткой. → страница 55
	Резьбовые соединения на станине ослабли.	► Проверьте надежность фиксации болтов на станине и при необходимости подтяните их.
	Станина плохо закреплена.	► Закрепите станину надежнее.

## 10 Утилизация

Большинство материалов, из которых изготовлены электроинструменты **Hilti**, подлежат вторичной переработке. Перед утилизацией следует тщательно рассортировать материалы (для удобства их последующей переработки). Во многих странах фирма **Hilti** уже организовала прием старых (электро)инструментов (изделий) для утилизации. Дополнительную информацию по этому вопросу можно получить в отделе по обслуживанию клиентов или у консультантов по продажам фирмы **Hilti**.



- Не выбрасывайте электрические инструменты, электронные устройства/приборы и аккумуляторы вместе с обычным мусором!

### 10.1 Предварительная обработка отходов сверления при утилизации



С точки зрения защиты окружающей среды попадание отходов сверления в природные водоемы или в систему канализации без соответствующей предварительной обработки недопустимо. Соответствующую информацию и инструкции можно получить у местных властей.



1. Соберите отходы сверления (например, промышленным пылесосом).
2. Дайте отходам (шлему) осесть и утилизируйте твердый осадок на свалку промышленных отходов (добавление флокулянтов ускоряет процесс отстаивания).
3. Перед сливом в систему канализации оставшейся воды (щелочная, pH >7) ее следует нейтрализовать добавлением кислых реагентов или разбавить большим количеством воды.

## 11 RoHS (Директива об ограничении применения опасных веществ)

---

По этим ссылкам доступна таблица опасных веществ: [qr.hilti.com/r3677](http://qr.hilti.com/r3677) (DD 120).

Ссылку в виде QR-кода на таблицу опасных веществ согласно директиве RoHS см. в конце настоящего документа.

## 12 Гарантия производителя

---

- ▶ С вопросами относительно гарантийных условий обращайтесь в ближайшее представительство Hilti.



# 1 Інформація про документацію

## 1.1 Інформація про цей документ

- Перш ніж розпочинати роботу з інструментом, прочитайте цей документ. Це є передумовою безпечної роботи та відсутності несправностей під час застосування інструмента.
- Дотримуйтеся попереджувальних вказівок та вказівок з техніки безпеки, наведених у цьому документі та на корпусі інструмента.
- Завжди зберігайте інструкцію з експлуатації поблизу інструмента та передавайте інструмент іншим особам лише разом з інструкцією.

## 1.2 Пояснення символів

### 1.2.1 Попереджувальні вказівки

Попереджувальні вказівки інформують користувача про фактори небезпеки, пов'язані із застосуванням інструмента. Використовуються такі сигнальні слова:

#### НЕБЕЗПЕКА

##### НЕБЕЗПЕКА !

- ▶ Указує на безпосередню небезпеку, що може призвести до отримання тяжких тілесних ушкоджень або навіть до смерті.

#### ПОПЕРЕДЖЕННЯ

##### ПОПЕРЕДЖЕННЯ !

- ▶ Указує на потенційно небезпечну ситуацію, яка може призвести до отримання тяжких тілесних ушкоджень або навіть смерті.





#### ОБЕРЕЖНО

##### ОБЕРЕЖНО !

- ▶ Указує на потенційно небезпечну ситуацію, яка може призвести до отримання легких тілесних ушкоджень та до матеріальних збитків.





### 1.2.2 Символи у документі

У цьому документі використовуються такі символи:

	Перед використанням прочитайте інструкцію з експлуатації
	Указівки щодо експлуатації та інша корисна інформація
	Поводження з матеріалами, придатними для вторинної переробки
	Не викидайте електроінструменти і акумуляторні батареї у баки для побутового сміття

### 1.2.3 Символи на ілюстраціях

На ілюстраціях використовуються такі символи:

	Цифрами позначаються відповідні ілюстрації, наведені на початку цієї інструкції
	Нумерація відображає послідовність робочих кроків на ілюстраціях та може відрізнятися від нумерації у тексті
	Номера позицій, наведені <b>на оглядовій ілюстрації</b> , відповідають номерам у легенді, що представлена у розділі « <b>Огляд продукту</b> »
	Цей символ позначає аспекти, на які слід звернути особливу увагу під час застосування інструмента.



### 1.3 Символи, що обумовлені типом інструмента

#### 1.3.1 Наказові знаки

Використовуються такі наказові знаки:

	Використовуйте захисні окуляри
	Використовуйте захисний шолом
	Використовуйте захисні навушники
	Використовуйте захисні рукавиці
	Використовуйте захисне взуття
	Використовуйте респіратор

#### 1.3.2 Символи на інструменті

На інструменті можуть бути наведені такі символи:

	Індикатор системи захисту від крадіжки
	Сервісний індикатор
	Індикатор потужності буріння
	Захисне заземлення
$n_0$	Номінальна швидкість обертання під час холостого ходу
	Бездротова передача даних

### 1.4 Указівні щитки

На станині, опорній плиті або установці алмазного буріння

	<p><b>На вакуумній опорній плиті</b></p> <p><b>Верхня половина малюнка:</b> Горизонтальне буріння з вакуумним кріпленням дозволяється здійснювати тільки за умови використання додаткових пристроїв для фіксації станини.</p> <p><b>Нижня половина малюнка:</b> Забороняється здійснювати буріння отворів, спрямованих угору, використовуючи вакуумне кріплення без додаткових пристроїв для фіксації.</p>
	<p><b>На установці алмазного буріння</b></p> <p>Під час буріння отворів у стелі обов'язково використовуйте систему відводу води та промисловий пілосос для вологого прибирання.</p>





### На установці алмазного буріння

Працюйте тільки зі справним автоматом захисту від струму витоку.

## 1.5 Інформація про інструмент

**HILTI** Інструменти призначені для професійного використання, а тому їхню експлуатацію, технічне обслуговування та ремонт слід доручати лише авторизованому персоналу зі спеціальною підготовкою. Цей персонал повинен бути спеціально проінструктований про можливі ризики. Інструмент та допоміжне приладдя можуть стати джерелом небезпеки у разі їхнього неправильного застосування некваліфікованим персоналом або у разі використання не за призначенням.

Тип та серійний номер зазначені на заводській таблиці.

- ▶ Перелишіть серійний номер у наведену нижче таблицю. При оформленні запитів до нашого представництва та до сервісної служби вказуйте інформацію про інструмент.

### Інформація про інструмент

Установка алмазного буріння	DD 120
Версія	01
Серійний номер	

## 1.6 Сертифікат відповідності

Зі всією належною відповідальністю заявляємо, що описаний у цьому документі інструмент відповідає діючим директивам і стандартам. Копія сертифіката відповідності наведена у кінці цього документа.

Технічна документація зазначена нижче:

Hilti Entwicklungsgesellschaft mbH | Zulassung Geräte | Hiltistraße 6 | 86916 Kaufering, DE

## 2 Безпека

### 2.1 Загальні вказівки з техніки безпеки при роботі з електроінструментами

**⚠ ПОПЕРЕДЖЕННЯ! Уважно прочитайте усі вказівки та інструкції з техніки безпеки, ознайомтеся з малюнками та технічними даними цього електроінструмента.** Щонайменше недотримання наведених нижче вказівок може призвести до ураження електричним струмом, займання та/або отримання тяжких травм.

**Збережіть всі інструкції та вказівки з техніки безпеки – вони можуть знадобитися Вам у майбутньому.**

Термін «електроінструмент», який використовується у вказівках з техніки безпеки, позначає як електроінструменти, що працюють від електричної мережі (із кабелем живлення), так і електроінструменти, що працюють від акумуляторної батареї (без кабелю живлення).

#### Безпека на робочому місці

- ▶ **Дбайте про чистоту та достатнє освітлення робочого місця.** Безлад на робочому місці та недостатнє освітлення можуть стати причиною нещасних випадків.
- ▶ **Не працюйте з електроінструментом у вибухонебезпечному середовищі, що містить легкозаймисті рідини, газу або пил.** Під час роботи електроінструментів утворюються іскри, від яких можуть зайнятися легкозаймисті випари або пил.
- ▶ **Подбайте про те, щоб під час використання електроінструмента поблизу не було дітей та сторонніх осіб.** Щонайменше відволікання може призвести до втрати контролю над інструментом.

#### Електрична безпека

- ▶ **Штепсельна вилка електроінструмента повинна підходити до розетки живлення. Забороняється вносити зміни до конструкції штепсельної вилки. Не дозволяється застосовувати перехідні штепсельні вилки в електроінструментах із захисним заземленням.** У разі використання оригінальних штепсельних вилок і відповідних розеток зникає ризик ураження електричним струмом.



- ▶ Під час роботи намагайтеся не торкатися заземлених поверхонь, наприклад труб, радіаторів опалення, печей та холодильників. Якщо Ваше тіло перебуває в контакт з системою заземлення, існує підвищений ризик ураження електричним струмом.
- ▶ **Захищайте електроінструмент від дощу та вологи.** У разі проникнення води в електроінструмент підвищується ризик ураження електричним струмом.
- ▶ **Використовуйте з'єднувальний кабель тільки за призначенням, не переносьте за нього електроінструмент, не користуйтеся ним для підвішування інструмента та не тримайтеся за нього, дістаючи штепсельну вилку з розетки.** Обережіть з'єднувальний кабель від впливу високих температур, від дії мастил та контакту з гострими кромками або рухомими частинами інструмента. Пошкоджені або заплутані з'єднувальні кабелі підвищують ризик ураження електричним струмом.
- ▶ **Працюючи з електроінструментом під відкритим небом, використовуйте лише подовжувальний кабель, придатний для зовнішнього застосування.** Використання подовжувального кабелю, призначеного для зовнішнього застосування, зменшує ризик ураження електричним струмом.
- ▶ **Якщо неможливо уникнути експлуатації електроінструмента за умов підвищеної вологості, використовуйте автомат захисту від струму витоку.** Використання автомата захисту від струму витоку зменшує ризик ураження електричним струмом.

### Безпека персоналу

- ▶ **Будьте уважними, зосередьтеся на виконуваній операції, до роботи з електроінструментом ставтеся серйозно. Не користуйтеся електроінструментом, якщо Ви втомлені або перебуваєте під дією наркотичних речовин, алкоголю або лікарських засобів.** Під час роботи з електроінструментом не відволікайтеся ні на мить, оскільки це може призвести до отримання серйозних травм.
- ▶ **Використовуйте засоби індивідуального захисту і завжди надягайте захисні окуляри.** Використання засобів індивідуального захисту, наприклад респіратор, захисного взуття на нековзній підшві, захисного шолома або шумозахисних навушників – залежно від різновиду електроінструмента та особливостей його застосування – зменшує ризик травмування.
- ▶ **Уникайте випадкового вмикання електроінструмента. Переконайтеся в тому, що електроінструмент вимкнений, перш ніж вставляти штепсельну вилку в розетку живлення та/або приєднувати акумулятор, піднімати електроінструмент або переносити його.** Якщо під час перенесення електроінструмента тримати палець на вимикачі або приєднувати інструмент до джерела живлення увімкненим, це може призвести до нещасного випадку.
- ▶ **Перш ніж вмикати електроінструмент, від'єднайте від нього все налагоджувальне приладдя або гайкові ключі.** Приладдя або ключ, що знаходяться в обертовому вузлі інструмента, можуть стати причиною отримання травм.
- ▶ **Уникайте виконання роботи в незручній позі. Під час виконання робіт ставайте в стійку позу і намагайтеся повсякчас утримувати рівновагу.** Це дозволить Вам більш упевнено контролювати електроінструмент у разі виникнення несподіваних обставин.
- ▶ **Надягайте відповідний робочий одяг. Не надягайте для роботи занадто просторий одяг та прикраси. Слідкуйте за тим, щоб волосся, одяг та робочі рукавиці знаходилися подальше від обертових частин інструмента.** Просторий одяг, прикраси або довге волосся можуть бути захоплені рухомими частинами інструмента.
- ▶ **Якщо передбачена можливість установа системи пиловидалення та пилозбірників, обов'язково переконайтеся в тому, що вони правильно приєднані й використовуються належним чином.** Застосування системи видалення пилу дозволяє зменшити негативний вплив пилу на персонал.
- ▶ **Не можна нехтувати правилами безпеки під час роботи з електроінструментами навіть у тому випадку, коли Ви добре знайомі з тим чи іншим електроінструментом.** Якщо користуватися інструментом необережно, лише малої частки секунди може бути достатньо для отримання важких травм.

### Використання електроінструмента та належний догляд за ним

- ▶ **Не допускайте перенавантаження інструмента. Завжди використовуйте електроінструмент, призначений для виконання відповідної роботи.** При використанні належного електроінструмента забезпечуються більш висока якість та безпека виконання робіт у вказаному діапазоні продуктивності.
- ▶ **Не використовуйте електроінструмент із пошкодженим вимикачем.** Електроінструмент, який неможливо вмикати або вимикати, є небезпечним і підлягає ремонту.
- ▶ **Перш ніж розпочинати налаштування інструмента, виконувати заміну приладдя або робити перерву в роботі, не забудьте вийняти штепсельну вилку з розетки та/або вийняти з інструмента змінну акумуляторну батарею.** Такий запобіжний захід допоможе уникнути випадкового вмикання електроінструмента.



- ▶ **Електроінструменти, що не використовуються, зберігайте в недоступному для дітей місці. Не дозволяйте користуватися інструментом особам, які не ознайомлені з ним або не прочитали ці вказівки.** У руках недосвідчених людей електроінструменти являють собою серйозну небезпеку.
- ▶ **Електроінструменти та їх приладдя потребують дбайливого догляду.** Ретельно перевіряйте, чи бездоганно працюють та чи не заклинюють рухомі частини, чи не зламалися або не зазнали інших пошкоджень деталі, від яких залежить справна робота електроінструмента. Перед початком роботи з інструментом пошкоджені деталі слід відремонтувати. Багатош нещасних випадків можна уникнути за умови належного технічного обслуговування електроінструментів.
- ▶ **Слідкуйте за тим, щоб ріжучі інструменти завжди залишалися чистими та належним чином заточеними.** Дбайливо доглянутий ріжучий інструмент із гострими різальними кромками не так часто заклинюється, і з ним легше працювати.
- ▶ **Під час експлуатації електроінструмента, приладдя до нього, робочих інструментів тощо дотримуйтеся наведених у цьому документі вказівок.** При цьому завжди враховуйте умови в місці виконання робіт та дії, яких вимагає поставлене завдання. Використання електроінструментів не за призначенням може призвести до виникнення небезпечних ситуацій.
- ▶ **Слідкуйте за тим, щоб поверхні рукояток були чистими та сухими, та не допускайте їхнього забруднення мастилом.** Якщо поверхні рукояток слизькі, це унеможлиблює впевнене контролювання електроінструмента у непередбачених ситуаціях.

#### Сервісне обслуговування

- ▶ **Доручайте ремонт електроінструмента лише кваліфікованому персоналу зі спеціальною підготовкою за умови використання тільки оригінальних запасних частин.** Це забезпечить функціональність електроінструмента.

## 2.2 Указівки з техніки безпеки під час роботи з установками алмазного буріння

- ▶ **Під час виконання робіт, що потребують застосування води, подбайте про належне відведення води з робочої ділянки або використовуйте спеціальний уловлювач рідини.** Такі запобіжні заходи дозволять утримувати робочу ділянку сухою та зменшують ризик ураження електричним струмом.
- ▶ **Тримайте електроінструмент за ізольовані поверхні рукояток, оскільки під час роботи ріжучий інструмент може натрапити на приховані електричні кабелі або кабель живлення інструмента.** У разі контакту ріжучого інструмента з електричним дротом, який знаходиться під напругою, металеві деталі електроінструмента також потраплять під напругу, а це може призвести до ураження електричним струмом.
- ▶ **Під час роботи з установкою алмазного буріння використовуйте захисні навушники.** Тривалий вплив шуму може призвести до втрати слуху.
- ▶ **Якщо сталося блокування змінного робочого інструмента, не просувайте інструмент уперед та вимкніть його.** Установіть причину блокування змінного робочого інструмента та усуньте її.
- ▶ **Якщо Ви хочете запустити установку алмазного буріння, що знаходиться в оброблюваній деталі, спочатку переконайтеся, що змінний робочий інструмент вільно обертається.** Якщо змінний робочий інструмент заклинило, може статися так, що він не обертається; це може призвести до перенавантаження або до від'єднання установки алмазного буріння від оброблюваної деталі.
- ▶ **Під час кріплення станини на оброблюваній деталі за допомогою анкерів та гвинтів переконайтеся, що кріпильні засоби, які Ви використовуєте, можуть утримати інструмент протягом його застосування.** Якщо матеріал оброблюваної деталі є пористим або слабким, анкер може витягнутися з нього, внаслідок чого станина від'єднається від оброблюваної деталі.
- ▶ **Під час кріплення станини на оброблюваній деталі за допомогою вакуумної плити слідкуйте за тим, щоб поверхня деталі була гладкою, чистою та не містила пор.** Не слід кріпити станину на ламінованих поверхнях, наприклад на кафельних плитках та композитних матеріалах, що складаються з декількох шарів. Якщо поверхня оброблюваної деталі не є гладкою та рівною або якщо деталь закріплена неналежним чином, вакуумна плита може від'єднатися від оброблюваної деталі.
- ▶ **Перед бурінням та під час буріння слідкуйте за тим, щоб розрідження підтримувалося на належному рівні.** Якщо розрідження недостатнє, вакуумна плита може від'єднатися від оброблюваної деталі.
- ▶ **Ніколи не здійснюйте буріння отворів над головою або буріння наскрізних отворів у стіні, якщо інструмент закріплений лише за допомогою вакуумної плити.** У разі втрати вакууму вакуумна плита від'єднається від оброблюваної деталі.



- ▶ Під час буріння наскрізних отворів у стіні або стелі подбайте про належний захист робочої ділянки та осіб з іншої сторони. Бурова коронка може виступати з бурового отвору, а буровий керн може падати з іншої сторони.
- ▶ Під час буріння отворів над головою завжди використовуйте уловлювач рідини, що зазначений в інструкції з експлуатації. Подбайте про те, щоб вода не потрапила у внутрішню частину інструмента. У разі проникнення води в електроінструмент підвищується ризик ураження електричним струмом.

### 2.3 Додаткові вказівки з техніки безпеки

#### Безпека персоналу

- ▶ Вносити будь-які зміни до конструкції інструмента заборонено.
- ▶ Використання інструмента вимагає певної фізичної сили; крім того, він не призначений для використання особами, які не пройшли належний інструктаж.
- ▶ Зберігайте інструмент у недоступному для дітей місці.
- ▶ Уникайте контакту з деталями інструмента, що обертаються. Умикати інструмент дозволяється лише в межах робочої зони. Контакт із деталями, що обертаються, зокрема з обертовими робочими інструментами, може призвести до отримання тяжких травм.
- ▶ Уникайте контакту шкіри з буровим шламом.
- ▶ Пил, що містить у собі такі матеріали, як фарба із вмістом свинцю, тирса деяких порід деревини, бетон, цегла, кварцові гірські породи і мінерали, а також метал, може бути шкідливим для здоров'я. У разі контакту з таким пилом або його вдихання у користувача електроінструмента та у людей, які під час роботи з ним перебувають поблизу, можуть виникнути алергічні реакції та/або захворювання дихальних шляхів. Деякі різновиди пилу, наприклад деревини дуба і бука, вважаються канцерогенними, особливо у поєднанні з речовинами для обробки деревини (хроматом, засобами для захисту деревини). До обробки матеріалів, що містять азбест, допускається лише фахівці зі спеціальною підготовкою. Рекомендується працювати з якомога ефективнішою системою видалення пилу. Застосовуйте відповідний пересувний пилосос, рекомендований компанією Hilti для видалення деревного та/або мінерального пилу та спеціально призначений для експлуатації саме з цим електроінструментом. Подбайте про належну вентиляцію робочого місця. Рекомендується під час роботи використовувати респіратор, який підходить до матеріалу, що обробляється. Дотримуйтеся чинних у своїй країні норм і приписів щодо оброблюваних матеріалів.
- ▶ Установка алмазного буріння і алмазна бурова коронка важкі. Існує небезпека защемлення частин тіла. Як сам працівник, так й інші люди поблизу місця проведення робіт повинні під час застосування інструмента користуватися відповідними захисними окулярами, касками і навушниками та носити захисні рукавиці і захисне взуття.

#### Належне використання електроінструментів та дбайливий догляд за ними

- ▶ Переконайтеся, що інструмент надійно закріплений на станині.
- ▶ Слідкуйте за тим, щоб кінцевий упор був постійно закріплений на станині, інакше функція кінцевого упору, що гарантує безпеку під час роботи, не буде доступна.
- ▶ Переконайтеся в тому, що змінний робочий інструмент оснащений відповідним затискним пристроєм, який підходить до інструмента, а також перевірте, чи належним чином змінний робочий інструмент зафіксований у затискному патроні.

#### Електрична безпека

- ▶ Не рекомендується використовувати подовжувальний кабель із блоком розеток, до якого підключені та одночасно працюють декілька інструментів.
- ▶ Інструмент дозволяється підключати тільки до оснащеної заземленням мережі живлення з відповідними характеристиками.
- ▶ Перед початком роботи перевіряйте робоче місце на наявність прихованих електричних кабелів, газових та водопровідних труб, наприклад за допомогою металощукача. Відкриті металеві деталі інструмента можуть стати провідниками електричного струму, якщо, зокрема, під час роботи будуть випадково пошкоджені електричні кабелі. Це становитиме серйозну небезпеку ураження електричним струмом.
- ▶ Слідкуйте за тим, щоб не пошкодити кабель живлення під час пересування каретки.
- ▶ Категорично забороняється використання інструмента без автомата захисту від струму витоку, що входить до комплекту постачання (якщо інструмент не оснащений автоматом захисту від струму витоку, його не можна використовувати без розділового трансформатора). Кожного разу перед початком роботи перевіряйте автомат захисту від струму витоку.
- ▶ Регулярно перевіряйте з'єднувальний кабель інструмента і в разі його пошкодження забезпечте його заміну фахівцем-електриком. Якщо з'єднувальний кабель електроінструмента зазнав пошкоджень, його необхідно замінити на спеціально налагоджений і затверджений





з'єднувальний кабель, який можна замовити у службі сервісного обслуговування. Регулярно перевіряйте стан подовжувальних кабелів і замінійте їх у разі пошкодження. Якщо під час роботи було пошкоджено кабель живлення або подовжувальний кабель, до них заборонено навіть торкатися. Вийміть з розетки штепсельну вилку кабелю живлення. Пошкоджені дроти живлення та подовжувальні кабелі становлять серйозну небезпеку враження електричним струмом.

- ▶ **Не користуйтеся інструментом, якщо він забруднений або мокрий.** Якщо на поверхні інструмента накопичується волога та пил, особливо від струмопровідних матеріалів, це може за несприятливих умов призвести до ураження електричним струмом. Тому рекомендується регулярно здавати забруднені інструменти до служби сервісного обслуговування компанії **Hilti** для перевірки, особливо якщо Вам часто доводиться виконувати обробку струмопровідних матеріалів.

#### **Безпека на робочому місці**

- ▶ **Обов'язково отримайте від будівельного управління дозвіл на виконання буріння.** Під час буріння у будівлях та інших спорудах може бути порушена їх статика, зокрема, у разі порушення цілісності арматури або несучих елементів.
- ▶ **Якщо станина закріплена неналежним чином, пересуньте встановлений на станині інструмент вниз до кінця, щоб він не перекинувся.**
- ▶ **Кабель живлення та подовжувальний кабель, а також шланг для відводу пилу та вакуумний шланг тримайте подалі від деталей інструмента, що обертаються.**
- ▶ **Під час вологого буріння отворів, спрямованих угору, обов'язково використовуйте систему відведення води та промисловий пілосос для вологого прибирання.**
- ▶ **Під час буріння отворів, спрямованих угору, забороняється використовувати вакуумне кріплення без додаткових кріпильних засобів.**
- ▶ **Горизонтальне буріння із вакуумним кріпленням (приладдя) дозволяється здійснювати тільки за умови використання додаткових пристроїв для фіксації станини.**

## **3      Опис**

### **3.1    Використання за призначенням**

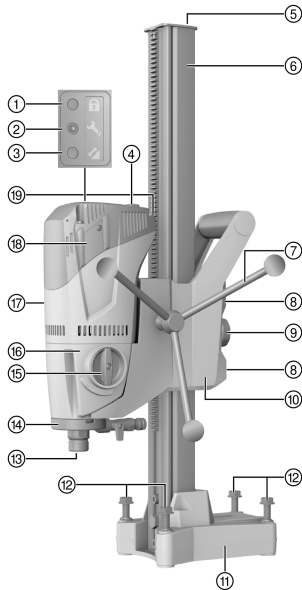
Інструмент, що описаний у цьому документі, являє собою електричну установку алмазного буріння. Інструмент призначений для вологого буріння наскрізних та глухих отворів із закріпленням на станині в (армованих) мінеральних матеріалах. **Ручне застосування установки алмазного буріння забороняється.**

Описаний у цьому документі інструмент призначено для професійного користувача, а тому його експлуатацію, технічне обслуговування та ремонт доручайте лише авторизованому персоналу зі спеціальною підготовкою. Цей персонал повинен бути спеціально проінструктований про можливі ризики. Описаний у цьому документі інструмент та допоміжне приладдя можуть стати джерелом небезпеки у разі їхнього неправильного застосування некваліфікованим персоналом або у разі використання не за призначенням.

- ▶ Завжди використовуйте установку алмазного буріння тільки зі станиною. Станина повинна бути належним чином прикріплена до робочого матеріалу за допомогою анкерної або вакуумної опорної плити.
- ▶ Під час регулювання опорної плити забороняється використовувати ударний інструмент (молоток тощо).
- ▶ Експлуатація інструмента можлива лише за умови, що напруга і частота мережі живлення відповідають вказаним на заводській табличці значенням.
- ▶ Дотримуйтеся національних вимог з охорони праці.
- ▶ Дотримуйтеся також вказівок з техніки безпеки і експлуатації приладдя, що використовується.
- ▶ Щоб уникнути ризику травмування, використовуйте лише оригінальне приладдя та бурові коронки виробництва компанії **Hilti**.



### 3.2 Елементи конструкції та органи керування інструментом 1



#### Установка алмазного буріння DD 120

- ① Індикатор системи захисту від крадіжки (опція)
- ② Сервісний індикатор
- ③ Індикатор потужності буріння
- ④ Вимикач
- ⑤ Кінцевий упор
- ⑥ Напрямна
- ⑦ Поворотна ручка
- ⑧ Гвинти для регулювання вільного ходу каретки (4 шт.)
- ⑨ Пристрій фіксації каретки
- ⑩ Каретка
- ⑪ Анкерна опорна плита
- ⑫ Нівелювальні гвинти (4 шт.)
- ⑬ Затискний патрон
- ⑭ Муфта для промивання
- ⑮ Перемикач редуктора
- ⑯ Редуктор
- ⑰ Двигун
- ⑱ Захисна кришка вугільних щіток
- ⑲ Кабель живлення, у т. ч. автомат захисту від струму витоку

#### 3.2.1 Вакуумна опорна плита (приладдя) 2

- ⑳ Натяжний шпindelь
- ㉑ З'єднувальна муфта вакуумного шланга
- ㉒ Манометр
- ㉓ Вакуумний вентиляційний клапан
- ㉔ Вакуумний ущільнювач

#### 3.2.2 Кріплення 3

- ㉕ Натяжний шпindelь
- ㉖ Анкер
- ㉗ Гайка натяжного шпindelя

#### 3.2.3 Система відведення води 4

- ㉘ Тримач водяного колектора
- ㉙ Водяний колектор

### 3.3 Сервісний індикатор

Інструмент оснащений сервісним індикатором зі світловим сигналом.

### 3.4 Комплект постачання

Установка алмазного буріння, поворотна ручка, інструкція з експлуатації.

Станина постачається окремо. Інше приладдя, допущене до експлуатації з Вашим інструментом, Ви можете придбати у **Hilti Store** або на веб-сайті **www.hilti.group**.

### 3.5 Живлення від генератора або трансформатора

Живлення цього інструмента може здійснюватися від генератора або від трансформатора користувача за умови дотримання таких вимог: вихідна потужність у ватах повинна щонайменше вдвічі перевищувати максимальну потужність, вказану на заводській табличці інструмента, робоча напруга повинна постійно перебувати в межах від +5 % до -15 % від номінальної, а частота повинна складати 50–60 Гц, у жодному разі не перевищуючи 65 Гц; крім того, необхідно забезпечити наявність автоматичного стабілізатора напруги з пусковим підсилювачем.





Під час вмикання/вимикання інших пристроїв виникають стрибки напруги, від яких інструмент може вийти з ладу.

## 4 Технічні дані

### 4.1 Технічні дані

Маса (із напрямною довжиною 600 мм), виміряна згідно з процедурою EPTA 01	9,8 кг
Макс. припустимий тиск подачі води	6 бар
Номінальна частота обертання на холостому ході, 1-а швидкість	740 об/хв
Номінальна частота обертання на холостому ході, 2-а швидкість	1 580 об/хв
Габаритні розміри станини із короткою напрямною (Д x Ш x В)	330 мм x 147 мм x 600 мм
Габаритні розміри станини із середньою напрямною (Д x Ш x В)	330 мм x 147 мм x 720 мм
Габаритні розміри станини із довгою напрямною (Д x Ш x В)	330 мм x 147 мм x 830 мм
Клас захисту	Клас захисту I (інструмент заземлений)

### 4.2 Значення швидкості буріння і відповідні діаметри бурових коронок



\*Значення діаметра бурової коронки, які передбачені для Вашого інструмента, вказані на заводській табличці.

Якщо оброблюваний бетон містить невелику кількість арматури, дозволяється застосовувати другу швидкість для бурових коронок діаметром до Ø 82 мм (3 1/2 дюйма) – це дозволить досягти вищої продуктивності буріння.

Швидкість	Діаметр бурової коронки	Частота обертання на холостому ході
1	57 ... 132 (*162) мм	740 об/хв
2	16 ... 52 мм	1 580 об/хв

### 4.3 Дані про шум та значення вібрації, виміряні згідно зі стандартом EN 62841

Наведені у цих рекомендаціях значення звукового тиску та вібрації були виміряні згідно з установленою процедурою вимірювання та можуть використовуватися для порівняння електроінструментів. Вони також придатні для попереднього оцінювання шумового та вібраційного навантаження.

Наведені дані обумовлюють переважні сфери застосування електроінструмента. Однак якщо Ви використовуєте його не за призначенням, застосуєте нестандартне приладдя або неналежним чином здійснюєте догляд за інструментом, ці дані можуть відрізнитися від вказаних значень. Це може призвести до помітного збільшення шумового та вібраційного навантаження протягом усього робочого часу.

Для більш точної оцінки шумового та вібраційного навантаження необхідно враховувати також проміжки часу, протягом яких інструмент залишається вимкненим або працює на холостому ході. Це може значно зменшити вібраційне та шумове навантаження протягом усього робочого часу.

Необхідно також живити додаткових заходів безпеки з метою захисту працівників від дії шуму та/або вібрації, зокрема: проводити своєчасне технічне обслуговування електроінструмента та змінних робочих інструментів до нього, утримувати руки у теплі, належним чином організувати робочий процес.

#### Інформація про шум

Скоригований за шкалою «А» типовий рівень шумової потужності	102 дБ
Типовий середньозважений рівень звукового тиску	89 дБ
Похибка наведених вище значень рівня шумового тиску	3 дБ



2215649

Українська

69

**Значення вібрації**

Буріння бетону (мокре), $a_h$	2,5 м/с <sup>2</sup>
Похибка (K)	1,5 м/с <sup>2</sup>

**5 Підготовка до роботи****⚠ ПОПЕРЕДЖЕННЯ**

**Ризик отримання травм!** Якщо станина закріплена недостатньо міцно, вона може обернутися або перекинутися.

- ▶ Перед використанням установки алмазного буріння закріпіть станину на поверхні оброблюваного матеріалу за допомогою анкерів або вакуумної опорної плити.
- ▶ Використовуйте тільки ті анкери, що розраховані на відповідний оброблюваний матеріал, та дотримуйтеся указівок із монтажу, які надаються виробником анкерів.
- ▶ Використовуйте вакуумну опорну плиту тільки в тому випадку, якщо оброблюваний матеріал дозволяє закріплювати на ньому станину за допомогою вакуумної опорної плити.

**5.1 Закріплення поворотної ручки на установці алмазного буріння 4**

1. Зніміть шплінт і встановіть поворотну ручку на вісь.
2. Закріпіть поворотну ручку за допомогою шплінта.



Поворотну ручку можна встановити з будь-якого боку каретки.

**5.2 Закріплення установки алмазного буріння на станині 5****⚠ ОБЕРЕЖНО**

**Ризик отримання травм** Небезпека випадкового вмикання установки алмазного буріння.

- ▶ Під час встановлення будь-яких деталей установка алмазного буріння повинна бути відключеною від мережі живлення.
1. За допомогою торцевого шестигранного ключа послабте внутрішній гвинт.
  2. Зніміть кінцевий упор з напрямної.
  3. Відкрийте пристрій фіксації каретки, повністю відкрутивши поворотну рукоятку.
  4. Установіть установку алмазного буріння на напрямну через передбачений для цього отвір.
  5. Щоб повністю встановити установку алмазного буріння на напрямну, скористайтеся поворотною ручкою.
  6. Закріпіть установку алмазного буріння, повністю затягнувши пристрій фіксації каретки.
  7. Перевірте закріплення установки алмазного буріння, обертаючи поворотну ручку на невелику відстань.
  8. Установіть кінцевий упор на напрямну і переконайтеся, що він надійно закріплений.



Перевірте вільний хід каретки і за необхідності відрегулюйте його. → стор. 76

**5.3 Кріплення станини за допомогою анкера 5****⚠ ПОПЕРЕДЖЕННЯ**

**Ризик отримання травм внаслідок використання неналежних анкерів!** Інструмент може вирватися з рук та травмувати оператора.

- ▶ Використовуйте анкери, розраховані на відповідний робочий матеріал, дотримуйтеся вказівок з монтажу, які надаються виробником анкерів.



Як правило, щоб закріпити установку алмазного буріння у бетоні без тріщин, використовуються металеві розпірні анкери M12 виробництва компанії **Hilti**. Однак за певних умов може знадобитися інший спосіб кріплення. Якщо у Вас виникли питання щодо надійного способу кріплення, будь ласка, зверніться до служби технічної підтримки компанії **Hilti**.



1. На відстані 203 мм (8 дюймів) від центра бурового отвору встановіть анкер, розрахований на відповідний робочий матеріал.
2. Укрупіть натяжний шпindel в анкер.
3. Викрутіть усі нівелювальні гвинти, доки опорна плита не буде стояти на робочому матеріалі, щільно прилягаючи до нього.
4. Установіть станину на натяжний шпindel та вирівняйте її.
5. Нагвинтіть гайку натяжного шпинделя, але не затягуйте її.
6. Вирівняйте опорну плиту за допомогою 4 нівелювальних гвинтів.



Усі нівелювальні гвинти повинні надійно спиратися на поверхню робочого матеріалу.

7. Зафіксуйте станину, затягнувши гайку натяжного шпинделя за допомогою гайкового ключа (SW 19).
8. Перевірте надійність кріплення станини.

#### 5.4 Кріплення станини за допомогою вакуумної опорної плити (приладдя)



##### НЕБЕЗПЕКА

##### Ризик отримання травм через падіння установки алмазного буріння !

- ▶ Забороняється встановлювати станину на стелі з використанням тільки вакуумного кріплення. У якості додаткового кріплення може використовуватися, наприклад, важка підпірка або гвинтовий шпindel.



##### ПОПЕРЕДЖЕННЯ

##### Ризик отримання травм внаслідок недостатнього контролювання тиску !

- ▶ Перед початком буріння і під час роботи необхідно слідкувати за тим, щоб стрілка манометра постійно знаходилася в зеленій області.



Переконайтеся, що обрана бурова коронка не пошкоджує вакуумну опорну плиту.

Перш ніж установлювати положення станини, зверніть увагу на те, чи достатньо місця є у наявності для монтажу та технічного обслуговування.

Використовуйте вакуумне кріплення лише без розпірної деталі та лише у комбінації з буровими коронками, діаметр яких становить  $\leq 300$  мм ( $\leq 12$  дюймів).

1. Проведіть орієнтувальну лінію довжиною приблизно 800 мм (31,5 дюйма) від центра отвору в напрямку місця монтажу установки алмазного буріння.
2. На відстані 203 мм (8 дюймів) від центра бурового отвору проведіть маркувальну лінію під прямим кутом до орієнтувальної лінії.
3. Викрутіть усі нівелювальні гвинти, доки анкерна опорна плита не буде стояти на робочому матеріалі, щільно прилягаючи до нього.
4. Установіть станину через шпindel на вакуумну опорну плиту.
  - ▶ Анкерна опорна плита повинна щільно прилягати до кінцевих упорів вакуумної опорної плити.
5. Зафіксуйте станину, затягнувши гайку натяжного шпинделя за допомогою гайкового ключа SW 19.
6. Приєднайте вакуумну муфту вакуумної опорної плити до вакуумного насоса.
7. Увімкніть вакуумний насос і притисніть вакуумну опорну плиту до робочого матеріалу.
8. Щоб вирівняти установку алмазного буріння, натисніть на вакуумний вентиляційний клапан і утримуйте його.



Для вирівнювання скористайтеся позначкою на анкерній опорній плиті й маркувальною лінією.

9. Відпустіть вакуумний вентиляційний клапан і притисніть вакуумну опорну плиту до робочого матеріалу.
10. Перевірте надійність кріплення станини.
11. За необхідності вирівняйте установку алмазного буріння за допомогою 4 нівелювальних гвинтів.



## 5.5 Установлення з'єднувальної муфти водяного шланга (приладдя)

### УВАГА

**Небезпека через неналежне використання!** У разі неналежного використання шланг може бути пошкоджений.

- ▶ Регулярно перевіряйте шланги на наявність пошкоджень та слідкуйте за тим, щоб максимально допустимий тиск подачі води в 6 бар не перевищувався.
- ▶ Уникайте контакту обертових частин інструмента зі шлангом.
- ▶ Слідкуйте за тим, щоб не пошкодити шланг під час пересування каретки.
- ▶ Максимальна температура води: 40 °C.
- ▶ Перевірте підключену систему подачі води на герметичність.



Використовуйте тільки свіжу воду або воду без часток бруду, щоб запобігти пошкодженню компонентів.

У якості додаткового приладдя можна встановити датчик витрати води між інструментом та трубопроводом подачі води.

1. Закрийте регулятор витрати води, розташований на установці алмазного буріння.
2. Приєднайте систему постачання води (за допомогою з'єднувальної муфти шланга).

## 5.6 Монтаж системи відведення води (приладдя)

### ПОПЕРЕДЖЕННЯ

**Небезпека ураження електричним струмом!** У разі несправності витяжного пристрою вода може почати стікати по двигуну та захисній кришці!

- ▶ негайно припиніть роботу, якщо витяжний пристрій не функціонує.

### ОБЕРЕЖНО

**Ризик отримання травм!** Випадкове увімкнення інструмента.

- ▶ Виймайте штепсельну вилку кабелю живлення з розетки, перш ніж задавати налаштування інструмента або замінювати приладдя.



Під час буріння отворів, спрямованих угору, установка алмазного буріння повинна бути розташована під кутом 90° до стелі. Ущільнювальну шайбу системи відведення води слід підібрати відповідно до діаметра алмазної бурової коронки.

Система відведення води дозволяє відводити воду, не допускаючи при цьому забруднення робочого місця.

1. Викрутіть гвинт зі станини.
2. Закріпіть тримач водяного колектора на станині за допомогою гвинта.
3. Між двома пересувними рукоятками тримача водяного колектора установіть водяний колектор із закріпленим ущільнювачем та ущільнювальною шайбою системи відведення води.
4. За допомогою двох гвинтів на тримачі водяного колектора прикріпіть водяний колектор до робочого матеріалу.
5. Приєднайте до водяного колектора промисловий пилосос для вологого прибирання або приєднайте шланг для відведення води.

## 5.7 Установлення алмазної бурової коронки (затискний патрон VI+)

### НЕБЕЗПЕКА

**Ризик отримання травм** Фрагменти оброблюваної деталі або поламааних робочих інструментів можуть відлетіти на значну відстань і стати причиною травмування осіб навіть за межами безпосередньої робочої зони.

- ▶ Не використовуйте пошкоджені робочі інструменти. Перед кожним використанням перевіряйте робочі інструменти на наявність відколів, тріщин, зношування або сильного стирання.



### **ОБЕРЕЖНО**

**Ризик отримання травм!** Випадкове увімкнення інструмента.

- ▶ Виймайте штепсельну вилку кабелю живлення з розетки, перш ніж задавати налаштування інструмента або замінювати приладдя.



Алмазні бурові коронки слід замінювати, коли ефективність різання або швидкість буріння помітно знижується. Як правило, це відбувається у тому випадку, якщо висота алмазних сегментів становить менше 2 мм (1/16 дюйма).

Для застосування затискних патронів C-Rod, A-Rod, M27 і BR Вам знадобиться гайковий ключ SW 27.

1. Закріпіть установку алмазного буріння, повністю затягнувши пристрій фіксації каретки.
2. Відкрийте затискний патрон (BI+), обертаючи його у напрямку, позначеному символом відкритої дужки.
3. Установіть хвостовик алмазної бурової коронки знизу у зубчасте зачеплення затискного патрона на установці алмазного буріння.
4. Закрийте затискний патрон, обертаючи його у напрямку, позначеному символом закритої дужки.
5. Перевірте, чи надійно алмазна бурова коронка закріплена у затискному патроні.

## 5.8 Вибір швидкості обертання

### **ОБЕРЕЖНО**

**Небезпека зношення** Небезпека пошкодження редуктора

- ▶ Не перемикайте під час роботи. Дочекайтеся, доки шпindel не зупиниться.

1. Виберіть положення перемикача залежно від діаметра бурової коронки, що використовується.
2. Переведіть перемикач у потрібне положення, одночасно обертаючи бурову коронку рукою.

## 5.9 Змінення алмазної бурової коронки (затискний патрон BI+)

### **НЕБЕЗПЕКА**

**Ризик отримання травм** Фрагменти оброблюваної деталі або поламаних робочих інструментів можуть відлетіти на значну відстань і стати причиною травмування осіб навіть за межами безпосередньої робочої зони.

- ▶ Не використовуйте пошкоджені робочі інструменти. Перед кожним використанням перевіряйте робочі інструменти на наявність відколів, тріщин, зношування або сильного стирання.

### **ОБЕРЕЖНО**

**Ризик отримання травм!** Випадкове увімкнення інструмента.

- ▶ Виймайте штепсельну вилку кабелю живлення з розетки, перш ніж задавати налаштування інструмента або замінювати приладдя.



Якщо Ви використовуєте затискні патрони C-Rod, A-Rod, M27 і BR, зафіксуйте вал інструмента за допомогою гайкового ключа SW 27, після чого дістаньте бурову коронку, скориставшись для цього відповідним гайковим ключем.

1. Закріпіть установку алмазного буріння, повністю затягнувши пристрій фіксації каретки.
2. Відкрийте затискний патрон (BI+), обертаючи його у напрямку, позначеному символом відкритої дужки.
3. Щоб розблокувати бурову коронку, потягніть втулку до інструмента у зазначеному стрілкою напрямку.
4. Дістаньте бурову коронку із затискного патрона BI+.



## 6 Експлуатація

### 6.1 Система захисту від крадіжки TPS (опція)

Опціонально інструмент може бути оснащений системою захисту від крадіжки TPS. Якщо вона активована, інструмент можна розблокувати та використовувати тільки за наявності відповідного ключа.

### 6.2 Розблокування інструмента, оснащеного системою захисту від крадіжки TPS

1. Уставте штепсельну вилку установки алмазного буріння в розетку.
2. Натисніть кнопку скидання або кнопку «I» на автоматі захисту від струму витоку.
  - ↳ Жовта лампа індикатора системи захисту від крадіжки починає мигати.
3. Піднесіть розблокувальний ключ безпосередньо до символу висячого замка.
  - ↳ Як тільки згасне жовта лампа індикатора системи захисту від крадіжки, інструмент буде розблокований.



У разі збою живлення готовність інструмента до експлуатації зберігається протягом приблизно 20 хвилин. Після більш тривалої перерви у роботі Вам доведеться знову деактивувати систему захисту від крадіжки за допомогою розблокувального ключа.

### 6.3 Автомат захисту від струму витоку (PRCD)

1. Уставте штепсельну вилку установки алмазного буріння в розетку із заземленням.
2. Натисніть кнопку «I» або «RESET» на автоматі захисту від струму витоку.
  - ↳ Індикатор загориться.
3. Натисніть кнопку «0» або «TEST» на автоматі захисту від струму витоку.
  - ↳ Індикатор згасне.



#### ПОПЕРЕДЖЕННЯ

**Ризик отримання травм через ураження електричним струмом!** Якщо індикація автомата захисту від струмів витоку не зникає під час натискання кнопки **0** або кнопки **TEST**, забороняється продовжувати використання установки алмазного буріння!

- ▶ Передайте установку алмазного буріння до служби сервісного обслуговування компанії **Hilti**.
4. Натисніть кнопку «I» або «RESET» на автоматі захисту від струму витоку.
    - ↳ Індикатор загориться.

### 6.4 Застосування установки алмазного буріння без промислового пирососа для вологого прибирання

1. Повільно відкривайте регулятор витрати води, доки не буде досягнута потрібна витрата води.



Установку алмазного буріння можна використовувати як із системою відведення води, так і без неї. Із системою відведення води буровий шлам відводиться через шланг; натомість без цієї системи буровий шлам вільно витікає з інструмента. Якщо Ви використовуєте систему відведення води, її слід установлювати на інструмент у першу чергу → стор. 72.

В обох випадках забороняється бурити отвори, спрямовані угору.

2. Натисніть на вимикач і переведіть його у положення «I».
3. Відкрийте пристрій фіксації каретки.
4. За допомогою поворотної ручки просувайте алмазну бурову коронку, доки вона не торкнеться робочого матеріалу.
5. Починаючи буріння, тисніть на інструмент лише злегка, доки бурова коронка не відцентрується; тільки після цього збільшуйте силу притискання.
6. Слідкуйте за показниками індикатора потужності буріння.



На початку роботи індикатор потужності буріння світитиметься оранжевим. Коли індикатор потужності буріння світиться зеленим, це вказує на найкращу продуктивність буріння. Якщо індикатор потужності буріння світиться червоним, слід зменшити притискне зусилля.





## 6.5 Застосування установки алмазного буріння з промисловим пирососом для вологого прибирання 9

### ПОПЕРЕДЖЕННЯ

**Небезпека ураження електричним струмом!** У разі несправності витяжного пристрою вода може почати стікати по двигуну та захисній кришці!

► Негайно припиніть роботу, якщо витяжний пристрій не функціонує.

1. Установіть систему відведення води → стор. 72 і приєднайте промисловий пиросос для вологого прибирання.
2. Увімкніть промисловий пиросос для вологого прибирання; не застосовуйте автоматичний режим.
3. Повільно відкривайте регулятор витрати води, доки не буде досягнута потрібна витрата води.
4. Натисніть на вимикач і переведіть його у положення «I».
5. Відкрийте пристрій фіксації каретки.
6. За допомогою поворотної ручки просувайте алмазну бурову коронку, доки вона не торкнеться робочого матеріалу.
7. Починаючи буріння, тисніть на інструмент лише злегка, доки бурова коронка не відцентрується; тільки після цього збільшуйте силу притискання.
8. Слідкуйте за показниками індикатора потужності буріння.



На початку роботи індикатор потужності буріння світитиметься оранжевим. Коли індикатор потужності буріння світиться зеленим, це вказує на найкращу продуктивність буріння. Якщо індикатор потужності буріння світиться червоним, слід зменшити притискне зусилля.

## 6.6 Дії у разі заклинювання бурової коронки

Якщо бурову коронку заклинило, спочатку спрацює обгінна муфта. Потім електроніка вимикає двигун і вмикає його знову – ця операція автоматично виконується двічі та не потребує втручання з боку користувача. Якщо ці дії не призводять до усунення заклинювання, електроніка інструмента вимикає двигун на 90 секунд. Ви можете вручну усунути заклинювання таким чином:

### 6.6.1 Вивільнення бурової коронки за допомогою гайкового ключа

1. Вийміть штепсельну вилку кабелю живлення з розетки.
2. Візьміть гайковим ключем за алмазну бурову коронку ближче до хвостовика та вивільніть алмазну бурову коронку, обертаючи її.
3. Уставте штепсельну вилку кабелю живлення в розетку.
4. Продовжуйте буріння.

### 6.6.2 Вивільнення бурової коронки за допомогою поворотної ручки

1. Вийміть штепсельну вилку кабелю живлення з розетки.
2. За допомогою поворотної ручки витягніть бурову коронку з робочого матеріалу.
3. Уставте штепсельну вилку кабелю живлення в розетку.
4. Продовжуйте буріння.

## 6.7 Вимкнення установки алмазного буріння 10

### ПОПЕРЕДЖЕННЯ

**Небезпека для осіб та матеріалу** Під час буріння отворів, спрямованих угору, алмазна бурова коронка наповнюється водою. Установка алмазного буріння може бути пошкоджена, що підвищує ризик ураження електричним струмом.

► Після закінчення буріння отворів, спрямованих угору, перш за все треба обережно злити воду. Для цього необхідно від'єднати подачу води на регуляторі витрати води і злити воду, відкривши регулятор витрати води. Вода не повинна стікати по двигуну та захисній кришці.

1. Закрийте регулятор витрати води, розташований на установці алмазного буріння.
2. Вийміть алмазну бурову коронку з бурового отвору.
3. Закріпіть установку алмазного буріння за допомогою пристрою фіксації каретки.
4. Вимкніть установку алмазного буріння.
5. У разі наявності вимкніть промисловий пиросос для вологого прибирання.



**6.8 Демонтаж установки алмазного буріння**

1. Вийміть штепсельну вилку кабелю живлення з розетки.
2. Алгоритм знімання бурової коронки наведено у розділі «Знімання алмазної бурової коронки → стор. 73».
3. Видаліть буровий kern, якщо це необхідно.
4. Зніміть установку алмазного буріння з робочого матеріалу.



Якщо Ви демонтуєте систему, не розбираючи її, рекомендується пересунути інструмент по напрямній до кінця вниз, щоб бурова коронка торкалася робочого матеріалу. Це дозволить уникнути непередбаченого падіння установки алмазного буріння.

**7 Догляд і технічне обслуговування****7.1 Догляд і технічне обслуговування****ПОПЕРЕДЖЕННЯ**

**Небезпека ураження електричним струмом!** Здійснення догляду та технічного обслуговування інструмента, що підключений до мережі живлення, може призвести до тяжких травм та опіків.

- ▶ Завжди діставайте штекер кабелю живлення з розетки, перш ніж розпочинати роботи з догляду та технічного обслуговування!

**Догляд**

- Обережно видаляйте накопичення бруду.
- Обережно прочищайте вентиляційні прорізи сухою щіткою.
- Протирайте корпус вологою тканиною. Забороняється використовувати миючі засоби, що містять силікон, оскільки вони можуть пошкодити пластмасові деталі.

**Технічне обслуговування****ПОПЕРЕДЖЕННЯ**

**Небезпека ураження електричним струмом!** Проведення неавторизованого ремонту електричних частин інструмента може призвести до отримання тяжких травм та опіків.

- ▶ До ремонту електричної частини інструмента залучайте лише фахівця-електрика.
- Регулярно перевіряйте усі зовнішні частини на наявність пошкоджень, а органи керування інструмента – на предмет справної роботи.
- Якщо Ви виявили пошкодження та/або порушення функціональності інструмента, припиніть його використання. Негайно зверніться до сервісної служби компанії **Hilti** для здійснення ремонту.
- Після проведення догляду і технічного обслуговування встановіть усі захисні пристрої та перевірте їхню роботу.



Щоб гарантувати належну роботу інструмента, використовуйте тільки оригінальні запасні частини та видаткові матеріали. Рекомендовані запасні частини, видаткові матеріали та приладдя для Вашого інструмента Ви можете придбати у найближчому магазині **Hilti Store** або на веб-сайті [www.hilti.group](http://www.hilti.group).

**7.2 Установлення вільного ходу між напрямною та кареткою**

1. За допомогою торцевого шестигранного ключа надійно затягніть гвинти для регулювання вільного ходу каретки.

**Технічні дані**

Момент затягування

5 Н·м

2. Знову послабте гвинт для регулювання на 1/4 оберту.
3. Каретку відрегульовано правильно, якщо вона без алмазної бурової коронки залишається у своєму робочому положенні, а з алмазною буровою коронкою пересувається вниз.



### 7.3 Заміна вугільних щіток **11**

#### ПОПЕРЕДЖЕННЯ

##### **Ризик отримання травм через ураження електричним струмом !**

- ▶ До обслуговування та ремонту інструмента може бути допущений лише професійно підготовлений авторизований персонал! Цей персонал повинен пройти спеціальний інструктаж відносно можливих ризиків.

#### ПОПЕРЕДЖЕННЯ

**Небезпека ураження електричним струмом!** Здійснення догляду та технічного обслуговування інструмента, що підключений до мережі живлення, може призвести до тяжких травм та опіків.

- ▶ Завжди діставайте штекер кабелю живлення з розетки, перш ніж розпочинати роботи з догляду та технічного обслуговування!

1. Відкрийте захисні кришки вугільних щіток ліворуч та праворуч від двигуна.
2. **Зверніть увагу на те, як встановлені вугільні щітки та укладені багатожильні кабелі.** Зніміть відпрацьовані вугільні щітки з установки алмазного буріння.
3. Установіть нові вугільні щітки таким самим чином, як були встановлені старі вугільні щітки.



Під час заміни слідкуйте за тим, щоб не пошкодити ізоляцію сигнального дроту.

4. Пригвинтіть захисні кришки вугільних щіток ліворуч та праворуч від двигуна.
5. Щоб досягти припрацювання вугільних щіток, використовуйте інструмент без перерви протягом 1 хвилини на холостому ходу.
  - ↳ Сигнальна лампа згасне приблизно через 1 хвилину роботи інструмента.

## 8 Транспортування та зберігання

### Транспортування

- ▶ Забороняється транспортувати інструмент із установленим змінним робочим інструментом.
- ▶ Надійно закріплюйте інструмент під час транспортування.
- ▶ Після транспортування інструмента завжди перевіряйте усі його зовнішні частини на наявність пошкоджень, а органи керування – на предмет справної роботи.

### Зберігання

- ▶ На час зберігання інструмента завжди виймайте його штепсельну вилку з розетки.
- ▶ Зберігайте інструмент у сухому місці, недоступному для дітей та сторонніх осіб.
- ▶ Якщо інструмент знаходився на зберіганні протягом тривалого часу, завжди перевіряйте усі його зовнішні частини на наявність пошкоджень, а органи керування – на предмет справної роботи.

### 8.1 Транспортування установки алмазного буріння

#### ПОПЕРЕДЖЕННЯ

**Ризик отримання травм!** Окремі деталі можуть від'єднатися та відпасти.

- ▶ Не підвішуйте установку алмазного буріння та/або станину до крана.






- ▶ Транспортуйте установку алмазного буріння, станину та бурову коронку окремо одна від одної.
  - ↳ Для полегшення транспортування використовуйте шасі (приладдя).
- ▶ На час зберігання установки алмазного буріння відкрийте регулятор витрати води.

## 9 Допомога у разі виникнення несправностей


- ▶ У разі виникнення несправностей, які не зазначені у цій таблиці або які Ви не можете полагодити самостійно, зверніться до сервісної служби компанії **Hilti**.



## 9.1 Установка алмазного буріння не готова до роботи

Несправність	Можлива причина	Рішення
 Сервісний індикатор не горить.	Система захисту від струму витoku (PRCD) не увімкнена.	► Перевірте функціональність системи захисту від струму витoku (PRCD) та увімкніть її.
	Збій в мережі електроживлення.	► Приєднайте інший інструмент до мережі живлення та перевірте його функціональність. ► Перевірте гнізда, кабель живлення, електричні дроти та запобіжник мережі.
	Несправний вимикач.	► У випадку необхідності ремонту звертайтеся до сервісної служби компанії Hilti.
	Несправність електроніки.	► У випадку необхідності ремонту звертайтеся до сервісної служби компанії Hilti.
 Сервісний індикатор горить.	У двигун потрапила вода.	► Поставте установку алмазного буріння у тепле сухе місце та зачекайте, доки вона повністю не просохне.
	Зношені вугільні щітки.	► Замініть вугільні щітки. → стор. 77
 Сервісний індикатор мигає.	Помилка частоти обертання.	► У випадку необхідності ремонту звертайтеся до сервісної служби компанії Hilti.
 Індикатор потужності буріння мигає червоним кольором.	Двигун перегрівся.	► Зачекайте декілька хвилин, поки двигун не охолоне, або дайте установці алмазного буріння попрацювати на холодному ході, щоб прискорити процес охолодження. Вимкніть установку алмазного буріння, а потім увімкніть її знову.
	Відмови через перенавантаження.	► Вимкніть установку алмазного буріння, а потім увімкніть її знову.
 Мигає індикатор системи захисту від крадіжки.	Установка алмазного буріння не активована (у випадку установки алмазного буріння із захистом від крадіжки, опція).	► Активуйте установку алмазного буріння за допомогою ключа активації.

## 9.2 Установка алмазного буріння готова до роботи

Несправність	Можлива причина	Рішення
 Сервісний індикатор горить.	Майже досягнута межа зношення вугільних щіток. Установку алмазного буріння можна використовувати ще декілька годин, доки вона не вимкнеться автоматично.	► Замініть вугільні щітки за першої можливості.



Несправність	Можлива причина	Рішення
Установка алмазного буріння не розвиває повну потужність.	Несправність мережі живлення – стався стрибок напруги.	<ul style="list-style-type: none"> <li>▶ Перевірте, чи не обумовлена несправність роботою інших приладів, підключених до мережі живлення або до генератора, якщо він використовується.</li> <li>▶ Перевірте довжину використовуваного подовжувального кабелю.</li> </ul>
Алмазна бурова коронка не обертається.	Перемикач редуктора не входить у зачеплення.	▶ Натискайте на перемикач редуктора, доки він не увійде у зачеплення.
	Алмазну бурову коронку заклинило у матеріалі основи.	▶ Вивільніть алмазну бурову коронку за допомогою гайкового ключа: Вийміть штепсельну вилку кабелю живлення з розетки. Візьміться гайковим ключем за алмазну бурову коронку ближче до хвостовика та вивільніть алмазну бурову коронку, обертаючи її.
	Несправність редуктора.	<p>Буріння із закріпленням на станині</p> <ul style="list-style-type: none"> <li>▶ Обертаючи поворотну ручку, спробуйте вивільнити алмазну бурову коронку за рахунок зворотно-поступального руху каретки.</li> </ul> <p>▶ У випадку необхідності ремонту звертайтеся до сервісної служби компанії Hilti.</p>
Знижується швидкість буріння.	Досягнута максимальна глибина буріння.	▶ Видаліть буровий керн та скористайтеся подовжувачем для бурової коронки.
	Буровий керн заклинює в алмазній буровій коронці.	▶ Витягніть буровий керн.
	Специфікація алмазної бурової коронки не відповідає матеріалу основи.	▶ Скористайтеся алмазною буровою коронкою, специфікація якої відповідає матеріалу основи.
	Матеріал містить значну кількість сталі (на це вказує чиста вода з металеву стружкою).	▶ Скористайтеся алмазною буровою коронкою, специфікація якої відповідає матеріалу основи.
	Алмазна бурова коронка несправна.	▶ Перевірте алмазну бурову коронку на наявність пошкоджень та за необхідності замініть її.
	Вибрана невірна швидкість.	▶ Виберіть вірну швидкість.
	Замала сила притискання.	▶ Збільште силу притискання.
	Замала потужність інструмента.	▶ Виберіть наступну меншу швидкість.
	Алмазна бурова коронка затупилася.	▶ Загостріть алмазну бурову коронку за допомогою плити для заточення.



Несправність	Можлива причина	Рішення
Знижується швидкість буріння.	Занадто велика витрата води.	▶ Зменште витрату води за допомогою відповідного регулятора.
	Недостатня витрата води.	▶ Перевірте лінію подачі води до алмазної бурової коронки або збільште витрату води за допомогою відповідного регулятора.
	Гальма закриті.	▶ Відкрийте гальма.
	Фрикційна муфта спрацьовує занадто рано або повертається.	▶ У випадку необхідності ремонту звертайтеся до сервісної служби компанії Hilti.
Поворотна ручка обертається без відчутного опору.	Шплінт зламано.	▶ Замініть шплінт.
Не вдається вставити алмазну бурову коронку у затискний патрон.	Хвостовик/затискний патрон забруднений або пошкоджений.	▶ Прочистіть та змажте хвостовик/затискний патрон або замініть їх.
Із муфти для подачі води або з корпусу редуктора витікає вода.	Занадто високий тиск води.	▶ Зменште тиск води.
Під час роботи вода витікає із затискного патрона.	Алмазна бурова коронка затягнута у затискному патроні недостатньо надійно.	▶ Затягніть алмазну бурову коронку сильніше. ▶ Витягніть алмазну бурову коронку. Поверніть алмазну бурову коронку приблизно на 90° навколо її осі. Установіть алмазну бурову коронку на місце.
	Хвостовик/затискний патрон забруднений.	▶ Прочистіть та змажте хвостовик/затискний патрон.
	Дефект ущільнення затискного патрона або хвостовика.	▶ Перевірте ущільнення та за необхідності замініть його.
Занадто великий вільний хід бурової системи.	Алмазна бурова коронка затягнута у затискному патроні недостатньо надійно.	▶ Затягніть алмазну бурову коронку сильніше. ▶ Витягніть алмазну бурову коронку. Поверніть алмазну бурову коронку приблизно на 90° навколо її осі. Установіть алмазну бурову коронку на місце.
	Хвостовик/затискний патрон несправний.	▶ Перевірте хвостовик та затискний патрон, за необхідності замініть їх.
	Каретка має занадто великий вільний хід.	▶ Відрегулюйте вільний хід між прямою планкою та кареткою. → стор. 76
	Послаблені гвинтові з'єднання на станині.	▶ Переконайтеся, що гвинти на станині міцно затягнуті, та за необхідності затягніть їх.
	Станина закріплена неналежним чином.	▶ Закріпіть станину належним чином.

## 10 Утилізація

Більшість матеріалів, з яких виготовлено інструменти компанії **Hilti**, придатні для вторинної переробки. Передумовою для їхньої вторинної переробки є належне сортування відходів за типом матеріалу. У багатьох країнах світу компанія **Hilti** приймає старі інструменти для їхньої утилізації. Щоб



отримати додаткову інформацію з цього питання, звертайтеся до сервісної служби компанії **Hilti** або до свого торгового консультанта.



- ▶ Не викидайте електроінструменти, електронні пристрої та акумуляторні батареї у баки для побутового сміття!

## 10.1 Попередня обробка бурового шламу під час утилізації



Згідно з нормами охорони довкілля потрапляння бурових відходів у ріки, озера або інші природні водойми без відповідної попередньої обробки неприпустиме. Відповідну інформацію та інструкції можна одержати у представників місцевих органів влади.

1. Зберіть буровий шлам (наприклад, промисловим пиლოსосом для вологого прибирання).
2. Дайте відходам відстоятися та викиньте тверді матеріали на смітник промислових відходів (додавання флокулянтів прискорює процес відстоювання).
3. Перш ніж зливати залишкову воду (значення pH > 7) у каналізацію, її варто нейтралізувати додаванням кислих реагентів або розбавити великою кількістю води.

## 11 RoHS (директива КНП про обмеження використання небезпечних речовин)

Щоб переглянути таблицю з інформацією про небезпечні речовини, будь ласка, скористайтеся такими посиланнями: [qr.hilti.com/r3677](http://qr.hilti.com/r3677) (DD 120).

Посилання на таблицю з інформацією про речовини, включені до директиви RoHS, наведено наприкінці цього документа у вигляді QR-коду.

## 12 Гарантійні зобов'язання виробника

- ▶ Із питань гарантії, будь ласка, звертайтеся до Вашого місцевого партнера компанії **Hilti**.



## 1 Құжаттама бойынша деректер

### 1.1 Бұл құжаттама туралы



#### Импорттауыш және өндірушінің өкілетті ұйымы

- (RU) Ресей Федерациясы  
"Хилти Дистрибьюшн ЛТД" АҚ, 141402, Мәскеу облысы, Химки қ., Ленинградская көш., фирм. 25
- (BY) Беларусь Республикасы  
222750, Минск облысы, Дзержинский ауданы, Р-1, 18-ші км, 2 (Слободка ауылының жанында), 1-34 бөлімі
- (KZ) Қазақстан Республикасы  
Қазақстан Республикасы, индекс 050011, Алматы қ., Пугачев көш., 4-үй
- (KG) Қырғыз Республикасы  
"Т AND Т" ЖШҚ, 720021, Қырғызстан, Бішкек қ., Ибраимов көш., 29 А үйі
- (AM) Армения Республикасы  
Эйч-Кон ЖШҚ, Армения Республикасы, Ереван қ., Бабаян көш., 10/1 үйі

Өндірілген елі: жабдықтағы белгілеу тақтайшасын қараңыз.

Өндірілген күні: жабдықтағы белгілеу тақтайшасын қараңыз.

Тиісті сертификатты мына мекенжай бойынша табуға болады: [www.hilti.ru](http://www.hilti.ru)

Сақтау, тасымалдау және пайдалану шарттарына пайдалану бойынша нұсқаулықта белгіленгеннен басқа арнайы талаптар қойылмайды.

Өнімнің қызмет ету мерзімі 5 жыл.

- Іске қосу алдында осы құжаттаманы оқып шығыңыз. Бұл қауіпсіз жұмыс пен ақаусыз басқару үшін алғышарт болып табылады.
- Осы құжаттамадағы және өнімдегі қауіпсіздік және ескерту нұсқауларын орындаңыз.
- Пайдалану бойынша нұсқаулықты әрдайым өнімде сақтаңыз және оны басқа тұлғаларға тек осы нұсқаулықпен бірге тапсырыңыз.

### 1.2 Шартты белгілердің анықтамасы

#### 1.2.1 Ескерту

Ескертулер өнімді қолдану барысындағы қауіптер туралы ескертеді. Төмендегі сигналдық сөздер пайдаланылады:



**ҚАУІПТІ**

#### ҚАУІПТІ !

- ▶ Ауыр жарақаттарға әкелетін немесе өмірге қауіп төндіретін тікелей қауіпті жағдайдың жалпы белгіленуі.



**ЕСКЕРТУ**

#### ЕСКЕРТУ !

- ▶ Ауыр жарақаттарға әкелуі немесе өмірге қауіп төндіруі мүмкін ықтимал қауіпті жағдайдың жалпы белгіленуі.



**АБАЙЛАҢЫЗ**

#### АБАЙЛАҢЫЗ !

- ▶ Жеңіл жарақаттарға немесе аспаптың зақымдалуына әкелуі мүмкін ықтимал қауіпті жағдайдың жалпы белгіленуі.

#### 1.2.2 Құжаттамадағы белгілер

Бұл құжаттамада төмендегі белгілер пайдаланылады:



Пайдалану алдында пайдалану бойынша нұсқаулықты оқу қажет





	Аспапты пайдалану бойынша нұсқаулар және басқа пайдалы ақпарат
	Қайта пайдалануға болатын материалдармен жұмыс істеу
	Электр аспаптарды және аккумуляторларды тұрмыстық қоқысқа тастамаңыз

### 1.2.3 Суреттердегі белгілер

Суреттерде төмендегі белгілер қолданылады:

	Бұл сандар осы нұсқаулықтың басындағы әр суретке сәйкес келеді
3	Нөмірлеу суреттегі жұмыс қадамдарының реттілігін білдіреді және мәтіндегі жұмыс қадамдарынан өзгешеленуі мүмкін
	Позиция нөмірлері <b>Шолу</b> суретінде қолданылады және <b>Өнімге шолу</b> мақаласындағы шартты белгілердің нөмірлеріне сілтейді
	Аталмыш белгілер өнімді қолдану барысында айрықша назарыңызды аудартады.

## 1.3 Өнімге қатысты белгілер

### 1.3.1 Ескертетін белгілер

Төмендегі ескертетін белгілер қолданылады:

	Қорғауыш көзілдірікті киіңіз
	Қорғауыш касканы пайдаланыңыз
	Қорғауыш құлаққапты қолданыңыз
	Қорғауыш қолғаптарды қолданыңыз
	Қорғауыш қолғаптарды қолданыңыз
	Жеңіл респираторды қолданыңыз

### 1.3.2 Өнімдегі белгілер

Өнімде төмендегі белгілер пайдаланылуы мүмкін:

	Ұрлықтан қорғаныс индикаторы
	Қызметтік индикатор
	Бұрғылау күшінің индикаторы
	Қорғаушы жерге тұйықталу
n <sub>0</sub>	Жүктемесіз номиналды айналу жиілігі
	Құрылғы iOS және Android платформаларымен үйлесімді NFC технологиясын қолдайды.



## 1.4 Сілтеуш

### Станинада, тірек тақтасында немесе алмасты колонкалы бұрғыда

	<p><b>Вакуумдық тірек тақтасында</b>  <b>Жоғарғы сурет бөлігі:</b> Вакуумдың бекітумен көлденең бұрғылауды орындауға тек бұрғылау станогының қосымша бекіту құрылғыларын қолданғанда ғана рұқсат етіледі.  <b>Астыңғы сурет бөлігі:</b> Қосымша сақтандырғышсыз вакуумдық бекітумен жоғары қарай бұрғылау жұмыстарын орындауға болмайды.</p>
	<p><b>Алмасты колонкалы бұрғыда</b>          Жоғары бағыт бойынша бұрғылаған кезде, ылғалды шаңсорғышпен бірге су жинағыш жүйесін пайдалану міндетті болып табылады.</p>
	<p><b>Алмасты колонкалы бұрғыда</b>          Жұмыс кезінде ақаулы токтан қорғау автоматын қолдануға тыйым салынады.</p>

## 1.5 Өнім туралы ақпарат

**HILTI** өнімдері кәсіби пайдаланушыларға арналған және оларды тек қана өкілетті, білікті қызметкерлер пайдалануы, күтім және техникалық қызмет көрсетуі тиіс. Қызметкерлер қауіпсіздік техникасы бойынша арнайы нұсқау алуы керек. Өнім мен оның қосалқы құралдарын басқа мақсатта қолдану немесе олардың оқытылмаған қызметкерлердің тарапынан пайдаланылуы қауіпті. Түр сипаттамасы мен сериялық нөмір фирмалық тақтайшада берілген.

- Сериялық нөмірді төмендегі кестеге көшіріп қойыңыз. Өнім туралы мәліметтерді өкілдігімізге немесе қызмет көрсету бөлімімізге сұрау беру арқылы алуға болады.

### Өнім туралы мәліметтер

Алмасты бағаналы бұрғы білдек	DD 120
Буын	01
Сериялық нөмір	

## 1.6 Сәйкестілік декларациясы

Біз осы нұсқаулықта сипатталған өнімнің қолданыстағы директивалар мен нормативтерге сәйкес келетінін толық жауапкершілікпен жариялаймыз. Сәйкестілік декларациясының суреті осы құжаттаманың соңында орналасқан.

Техникалық құжаттама мына жерде сақталған:

Hilti Entwicklungsgesellschaft mbH | Zulassung Geräte | Hiltistraße 6 | 86916 Kaufering, DE

## 2 Қауіпсіздік

### 2.1 Электр құралдары үшін қауіпсіздік техникасы бойынша жалпы нұсқаулар

**⚠ ЕСКЕРТУ** Бұл электр құралына арналған барлық қауіпсіздік нұсқауларын, нұсқауларды, суреттерді және техникалық деректерді оқып шығыңыз. Төменде берілген нұсқауларды орындамау электр тогының соғуына, өртке әкелуі мүмкін және/немесе ауыр жарақаттарды тудыруы мүмкін.

**Қауіпсіздік техникасы бойынша барлық нұсқауларды және нұсқауларды келесі пайдаланушы үшін сақтаңыз.**



Қауіпсіздік нұсқауларында қолданылатын «электр құралы» термині электр желісінен (желілік кабельмен) және аккумулятордан (желілік кабельсіз) жұмыс істейтін электр құралын білдіреді.

### Жұмыс орны

- ▶ **Жұмыс орнындағы тазалықты және тәртіпті қадағалаңыз.** Жұмыс орнындағы ретсіздік және нашар жарық сәтсіз жағдайларға әкелуі мүмкін.
- ▶ **Жанғыш сұйықтықтар, газдар немесе шаң бар жарылыс қаупі бар аймақта электр құралын қолданбаңыз.** Жұмыс кезінде электр құралдары ұшқындар шығады және ұшқындар шаңды немесе буларды тұтандыруы мүмкін.
- ▶ **Балалардың және бөгде адамдардың жұмыс істеп тұрған электр құралына жақындауына рұқсат етпеңіз.** Жұмысқа көңіл бөлмегенде, электр құралын бақылау жоғалуы мүмкін.

### Электр қауіпсіздігі

- ▶ **Электр құралдың байланыс ашасы электр желісінің розеткасына сай болуы керек. Айырдың конструкциясын өзгертпеңіз.** Қорғауыш жерге қосуы бар электр құралдарымен бірге өтпелі айырларды қолданбаңыз. Түпнұсқа айырлар және оларға сай розеткалар электр тогының соғу қаупін азайтады.
- ▶ **Жерге қосылған беттерге, мысалы, құбырларға, жылыту құралдарына, пештерге (плиталарға) және тоңазытқыштарға тікелей тиюді болдырмаңыз.** Жерге қосылған заттарға тигенде электр тогының соғуының үлкен қаупі туындайды.
- ▶ **Электр құралдарды жаңбырдан немесе ылғал әсерінен сақтаңыз.** Электр құралға су тиюі нәтижесінде электр тогының соғу қаупі артады.
- ▶ **Байланыс сымын басқа мақсатта қолданбаңыз, мысалы, электр құралды тасымалдау, оны іліп қою немесе электр желісінің розеткасынан айырды шығару үшін.** Байланыс сымын жылу, май, өткір жиіктер немесе жылжымалы бөліктерден алшақ ұстаңыз. Байланыс сымының зақымдалуы немесе қабаттасуы нәтижесінде электр тогының соғу қаупі артады.
- ▶ **Егер жұмыстар ашық ауада орындалса, тек бөлмелерден тыс қолдануға рұқсат етілген ұзартқыш сымдарды пайдаланыңыз.** Бөлмелерден тыс қолдануға жарамды ұзартқыш сымды пайдалану электр тогының соғу қаупін азайтады.
- ▶ **Егер электр құралмен ылғалдылық жағдайларында жұмыс істеуді болдырмау мүмкін емес болса, шығып кететін токтан қорғау автоматын қолданыңыз.** Шығып кететін токтан қорғау автоматын қолдану электр тогының соғу қаупін азайтады.

### Адамдардың қауіпсіздігі

- ▶ **Ұқыпты болыңыз, әрекеттеріңізге көңіл бөліңіз және электр құралымен жұмыс істеуге дұрыс қараңыз.** Шаршаған кезде немесе есірткі, алкоголь не дәрі қабылдаған соң электр құралын қолданбаңыз. Электр құралын қолданған кездегі зейінсіздік ауыр жарақаттарға апарып соғуы мүмкін.
- ▶ **Жеке қорғану құралдарын пайдаланыңыз және әрқашан міндетті түрде қорғауыш көзілдірікті киіңіз.** Электр құралының түріне және пайдалану жағдайларына байланысты жеке қорғану құралдарын, мысалы, шаңнан қорғайтын респираторды, сырғымайтын аяқ киімді, қорғауыш шлемді, естуді қорғау құралдарын қолдану жарақаттану қаупін азайтады.
- ▶ **Электр құралының кездейсоқ қосылуын болдырмаңыз.** Электр қуатына қосу және/немесе аккумуляторды қою, көтеру немесе тасымалдау алдында электр құралы өшірілгеніне көз жеткізіңіз. Электр құралын тасымалдағанда саусақтар сөндіргіште болатын немесе қосылған электр құралы желіге қосылатын жағдайлар сәтсіз жағдайларға әкелуі мүмкін.
- ▶ **Электр құралын қосу алдында реттеуші құрылғыларды және гайка кілтін алыңыз.** Электр құралының айналатын бөлігіндегі аспап немесе кілт жарақаттарға әкелуі мүмкін.
- ▶ **Жұмыс кезінде ыңғайсыз қалыптарға тұрмауға тырысыңыз.** Үнемі тұрақты күйді және тепе-теңдікті сақтаңыз. Бұл күтпеген жағдайларда электр құралын жақсырақ басқаруға мүмкіндік береді.
- ▶ **Арнайы киімді киіңіз. Өте бос киімді немесе әшекейлерді кимеңіз.** Шашты, киімді және қолғапты электр құралының айналатын түйіндерінен сақтаңыз. Бос киім, әшекейлер және ұзын шаш оларға ілінуі мүмкін.
- ▶ **Егер шанды жинау және кетіруге арналған құрылғыларды қосу қарастырылған болса, олар қосылғанына және мақсаты бойынша қолданылып жатқанына көз жеткізіңіз.** Шаңды кетіру модулін пайдалану шаңның зиянды әсерін азайтады.
- ▶ **Өзі мойныңызға шаң қауіпсіздік сезімін алмаңыз және электр құралына арналған қауіпсіздік ережелерін бұзбаңыз, тіпті электр құралын жиі қолданатын тәжірибелі пайдаланушы болсаңыз.** Мұқиятсыз қолдану бірнеше секундта ауыр жарақаттануға апарып соғуы мүмкін.



### Электр құралын қолдану және оған қызмет көрсету

- ▶ Аспапқа шамадан тыс жүктеме түсуін болдырмаңыз. Нақ осы жұмысқа арналған электр құралын қолданыңыз. Бұл ережені сақтау көрсетілген қуат диапазонында жоғарырақ жұмыс сапасын және қауіпсіздігін қамтамасыз етеді.
- ▶ Сөндіргіші бұзылған электр құралын қолданбаңыз. Қосу немесе өшіру қиын электр құралы қауіпті және оны жөндеу керек.
- ▶ Электр құралын реттеуге, саймандарды ауыстыруға кірісу алдында немесе жұмыстағы үзіліс алдында розеткадан ашаны және/немесе электр құралынан алмалы-салмалы аккумуляторды шығарыңыз. Бұл сақтық шарасы электр құралының кездейсоқ қосылуын болдырмайды.
- ▶ Қолданылмайтын электр құралдарын балалар жетпейтін жерде сақтаңыз. Аспаппен таныс емес немесе осы нұсқауларды оқып шықпаған адамдарға аспапты пайдалануға рұқсат бермеңіз. Электр құралдары тәжірибесі жоқ пайдаланушылардың қолында қауіпті болады.
- ▶ Электр құралдары мен керек-жарақтарға ұқыпты қараңыз. Айналмалы бөліктердің мүлтіксіз қызмет ететінін, олардың жүрісінің жеңілдігін, барлық бөліктердің тұтастығын және электр құралының жұмысына теріс әсер етуі мүмкін зақымдардың жоқтығын тексеріңіз. Аспаптың зақымдалған бөліктерін оны қолдану алдында жөндеуге өткізіңіз. Электр құралына техникалық қызмет көрсету ережелерін сақтамау көп сәтсіз жағдайлардың себебі болып табылады.
- ▶ Кескіш аспаптардың үшкір және таза болуын қадағалау керек. Жұмыс күйінде сақталатын кескіш аспаптардың сыналаны сиректеу болады, оларды басқару жеңілдеу.
- ▶ Электр құралын, саймандарды, көмекші құрылғыларды және т.б. нұсқауларға сай пайдаланыңыз. Бұл кезде жұмыс жағдайларын және орындалатын жұмыстың сипатын ескеріңіз. Электр құралдарын басқа мақсаттарда қолдану қауіпті жағдайларға әкелуі мүмкін.
- ▶ Тұтқыштар мен тұтқыш беттерін таза, құрғақ, май іздерінсіз ұстаңыз. Сырғанақ тұтқыштар мен олардың беттері белгілі бір жағдайларда электр құралының қауіпсіз қолданылуы мен басқарылуына жол бермейді.

### Қызмет көрсету

- ▶ Электр құралын жөндеуді тек түпнұсқа қосалқы бөлшектерді қолданатын білікті қызметкерлерге сеніп тапсырыңыз. Бұл электр құралын қауіпсіз күйде сақтауды қамтамасыз етеді.

## 2.2 Алмасты колонкалы бұрғыларға арналған қауіпсіздік нұсқаулары

- ▶ Бұрғылау жұмыстарын орындаған кезде судың қолданылуын талап ететін жерлерде, суды жұмыс аймағынан алшақ қойыңыз немесе сұйықтық жинағышты қолданыңыз. Мұндай сақтық шаралары жұмыс аймағын құрғақ күйінде ұстайды және ток соғу қаупін азайтады.
- ▶ Жұмыстар орындалып жатқан кезде электр құралды оқшауланған беттерінен ұстаңыз, өйткені кескіш құрал жасырын электр сымдарына немесе өзінің байланыс сымына тиюі мүмкін. Электр сымдарына тигенде электр құралдың қорғалмаған металл бөліктері кернеу астында болады. Бұл ток соғу қаупін тудыруы мүмкін.
- ▶ Алмасты бұрғылау кезінде құлақ қорғанысын тағыңыз. Шу әсерінің нәтижесінде есту қабілеті жоғалуы мүмкін.
- ▶ Алмалы-салмалы аспап бұғатталған кезде, ешбір беріліс қоспаңыз және құралды өшіріңіз. Қысылудың себебін тексеріп, қысылған алмалы-салмалы аспап үшін шешім табыңыз.
- ▶ Өңделетін бұйымға енгізілген алмасты бұрғылау станогын қайта іске қосу қажет болғанда, іске қосу алдында алмалы-салмалы аспаптың еркін айналатынын тексеріңіз. Алмалы-салмалы аспап қысылған кезде, ол айналмауы мүмкін және бұл құралға шамадан тыс жүктеменің түсуіне апарып соғуы мүмкін немесе алмасты бұрғылау станогының өңделетін бұйымнан шығып кетуіне апаруы мүмкін.
- ▶ Станинаны өңделетін бұйымға анкер мен бұрандалар арқылы бекіткен кезде, қолданылатын бекіткіш аспапты қолдану барысында ұстап тұруға қабілетті екендігін тексеріңіз. Өңделетін бұйым тұрақсыз немесе нығыз емес болғанда, анкер босатылып, нәтижесінде станина өңделетін бұйымнан шығып кетуі мүмкін.
- ▶ Станинаны өңделетін бұйымға вакуумдық тақта арқылы бекіткен кезде, беттің тегіс, таза әрі нығыз екендігін тексеріңіз. Станинаны ламинатталған беттерге бекітпеңіз, мысалы, қаптауыштарға және композициялық материалдан жасалған беттерге. Өңделетін бұйымның беті тегіс емес, жайдақ немесе жеткілікті бекітілмегенде, вакуумдық тақта өңделетін бұйымнан босатылуы мүмкін.
- ▶ Бұрғылау алдында және барысында вакуумның жеткілікті екендігін тексеріңіз. Егер вакуум жеткіліксіз болса, вакуумдық тақта өңделетін бұйымнан босатылуы мүмкін.



- ▶ Аспап тек вакуумдық тақта арқылы бекітілген кезде, ешқашан үстінен бұрғылау және қабырғаны бұрғылау жұмыстарын орындамаңыз. Вакуумның жоғалуы вакуумдық тақтаның өңделетін бұйымнан босатылуына әкеледі.
- ▶ Қабырғаны немесе қаптауышты бұрғылау кезінде адамдар мен жұмыс аймағының басқа шетінен қорғалғанына көз жеткізіңіз. Бұрғылау коронкасы саңылау арқылы өтіп, көрн басқа бүйіріне құлауы мүмкін.
- ▶ Үстінен бұрғылау жұмыстарында әрдайым пайдалану бойынша нұсқаулықта келтірілген сұйықтық жинағышты қолданыңыз. Құралға судың енбеуін қадағалаңыз. Электр құралға судың тиюі нәтижесінде электр тогының соғу қаупі артады.

## 2.3 Қауіпсіздік бойынша қосымша нұсқаулар

### Адамдардың қауіпсіздігі

- ▶ Аспап конструкциясына өзгертулер енгізуге және оны модификациялауға тыйым салынады.
- ▶ Аспапты әлсіз адамдарға нұсқаусыз пайдалануға тыйым салынады.
- ▶ Аспапты балалардан алшақ ұстаңыз.
- ▶ Аспаптың айналатын бөлшектеріне тиемеңіз. Аспапты тек жұмыс аймағына әкелгеннен кейін ғана қосыңыз. Айналатын түйіндерге, әсіресе айналатын қондырмаларға тию жарақаттарға әкелуі мүмкін.
- ▶ Жұмыс құралдарын пайдалану барысында сақ болыңыз.
- ▶ Құрамында қорғасын бар бояулар, ағаштың кейбір түрлері, бетон/кірпіш қалауы/кварц қамтитын жыныстар және минералдар мен металл сияқты материалдардан пайда болатын шаң денсаулық үшін зиянды болуы мүмкін. Мұндай шаңның бөлшектерімен дем алу немесе оған тию пайдаланушыларда немесе жанындағы адамдарда аллергиялық реакциялардың және/немесе дем алу жолдары ауруларының пайда болуына әкелуі мүмкін. Кейбір шаң түрлері (мысалы, өменді немесе шамшатты өңдеу кезінде пайда болатын шаң) канцерогенді деп есептеледі, әсіресе ағашты өңдеу үшін қолданылатын қосымша материалдармен (хром қышқылының тұзы, ағашты қорғау заттары) тіркесімде. Құрамында асбест бар материалдарды тек мамандар өңдеуі керек. Мүмкін болса, жарамды шаңсорғыш аппаратты қолданыңыз. Ол үшін бұл электр құралды Hilti компаниясы ағаш үгінділерін және/немесе минералдық шаңды тазалау үшін ұсынылған тиісті тасымалданатын шаңсорғышпен тіркесімде қолданыңыз. Жұмыс аймағының жақсы желдетілуін қамтамасыз етіңіз. Сәйкес шаң түріне арналған респиратор маскасын тағу ұсынылады. Өңделетін материалдар бойынша еліңізде қолданылатын нұсқауларды орындаңыз.
- ▶ Алмасты бағаналы бұрғы білдек және алмас бұрғылау коронкасы ауыр. Дене бөліктерін қысып алу қаупі бар. Аспаппен жұмыс істегенде жұмыс істейтін адам және оның жанында орналасқан тұлғалар қорғауыш көзілдірік, каска, қорғауыш құлақпақ, қорғауыш қолғаптар және қорғауыш аяқ киім киюі керек.

### Электр аспабымен дұрыс жұмыс істеу және оны дұрыс пайдалану

- ▶ Аспап станинаға сенімді бекітілгеніне көз жеткізіңіз.
- ▶ Соңындағы тіректің станинаға әрдайым орнатылғанына көз жеткізіңіз әйтпесе шеткі тіреуіш функциясына кепілдік берілмейді.
- ▶ Аспапта қысқыға сай ұштары бар екеніне және қысқыда берік бекітілетініне көз жеткізіңіз.

### Электр қауіпсіздігі

- ▶ Бірнеше аспап қосылған розеткалар блогы бар ұзартқыштарды қолданбау керек.
- ▶ Аспапты электр қуаты желісіне тек тиісті сипаттамалары бар изоляцияланған сым болғанда ғана қосуға рұқсат етіледі.
- ▶ Жұмысты бастау алдында жұмыс орнында жасырын электр сымдарының, газ және су жүргізу құбырларының бар-жоғын тексеріңіз, мысалы, металл іздегіш көмегімен. Электр сымдарына кездәйсоқ типі кетсе, аспаптың ашық металл бөліктері электр тогының өткізгіштеріне айналуы мүмкін. Бұл кезде электр тогының соғу қаупі пайда болады.
- ▶ Жылжыма берілісі кезінде желілік кабель зақымдалмауын байқап тұрыңыз.
- ▶ Аспапты жеткізу жинағына кіретін PRCD (жылыстау тогынан қорғайтын автоматты ажыратқыш) құрылғысыз қолдануға тыйым салынады (PRCD ажыратқышы жоқ аспаптарды бөлу трансформаторысыз). Әр пайдалану алдында PRCD ажыратқышын тексеріңіз.
- ▶ I Тұрақты түрде аспаптың желілік кабелін тексеріңіз. Зақымдалған кабельді ауыстыру үшін тәжірибелі электрші маманды шақырыңыз. Электрлік құралдың байланыс кабелі зақымдалған жағдайда оны арнайы дайындалған және рұқсат етілген кабельге ауыстыру керек. Оған клиенттерге қызмет көрсету бөлімі арқылы тапсырыс беруге болады. Тұрақты түрде ұзартқыш кабельдерді тексеріңіз және зақымдар бар болғанда оларды ауыстырыңыз. Жұмыс кезінде желілік немесе ұзартқыш кабель зақымдалған жағдайда оған тиюге тыйым



салынады. Желілік кабельді розеткадан шығарыңыз. Ақаулы электр қуаты кабельдері және ұзартқыш кабельдер электр тогының соғу қаупін тудырады.

- ▶ **Кір немесе ылғалды аспапты пайдалануға тыйым салынады.** Қолайсыз жағдайларда аспап бетінде жиналатын ылғал мен шаң (әсіресе төк өткізгіш материалдардан) электр тогының соғуын тудыруы мүмкін. Ток өткізгіш материалдарды өңдеу қажет болған кезде, кірленген аспапты жүйелі түрде Hilti сервис орталығына тексертіңіз.

#### **Жұмыс орны**

- ▶ **Жұмысты бастау алдында құрылыс тәлім бастығының келісімін алыңыз.** Фимараттарда және басқа құрылымдарда тесіктер жасау олардың мықтылығын өзгертуі мүмкін, әсіресе арматураны немесе негізгі құрылымдарды бөлшектеген кезде.
- ▶ **Станина дұрыстап бекітілмеген жағдайда, аударылуды болдырмау үшін, станинағы орнатылған аспапты әрдайы толығымен астыға бағыттаңыз.**
- ▶ **Желілік және ұзартқыш кабельдерді, сорғыш және вакуумды шлангілердің аспаптың айналып жатқан бөліктерінен аулақ ұстаңыз.**
- ▶ **Жоғары қарай ылғалды бұрғылау кезінде міндетті түрде ылғалды шаңсорғышты суды әкету жүйесімен бірге қолдану керек.**
- ▶ **Жоғары қарай бұрғылау кезінде тиісті бекітусіз вакуумдық бекітуді қолдануға тыйым салынады.**
- ▶ **Вакуумдық бекітумен (қосымша жабдық) көлденең бұрғылауды орындауға тек бұрғылау станогының станинасын бекітудің қосымша құрылғыларын қолданғанда ғана рұқсат етіледі.**

### **3 Сипаттама**

#### **3.1 Мақсатына сай қолдану**

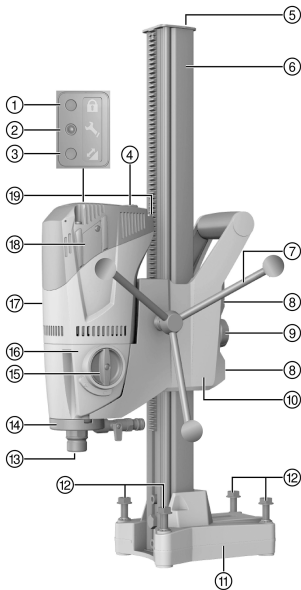
Сипатталған өнім электрлік алмасты колонкалы бұрғы болып табылады. Ол тесіп өтетін және саңылаусыз тесіктерді (арматураланған) минералды материалдарда сулы бұрғылауға арналған. **Алмасты колонкалы бұрғыны қолмен пайдалану рұқсат етілмеген.**

Сипатталған өнім кәсіби қолдануға арналған, сондықтан оған тек уәкілетті қызметкерлер қызмет көрсетіп оны жөндей алады. Қызметкерлер ықтимал қауіптер бойынша тиісті нұсқауларды алуы керек. Сипатталған өнім мен оның қосалқы құралдарын басқа мақсатта қолдану немесе олардың оқытылмаған қызметкерлердің тарапынан пайдаланылуы қауіпті.

- ▶ Алмасты колонкалы бұрғыны қолданған кезде әрдайым станинаны пайдаланыңыз. Станина анкерлі не вакуумдық негізгі аспап арқылы астыңғы бетке тіркелуі тиіс.
- ▶ Тірек тақтасын реттегенде соғатын аспапты (балғаларды және т.б.) қолдануға тыйым салынады.
- ▶ Аспапты пайдалану тек зауыттық кестеде көрсетілгенге сәйкес электр желісінің кернеуі болғанда мүмкін.
- ▶ Жұмыс қауіпсіздігі бойынша ұлттық нұсқамаларды орындаңыз.
- ▶ Жұмыс істегенде саймандарды пайдалану және қауіпсіздік техникасы бойынша нұсқауларды орындаңыз.
- ▶ Жарақат алу қауіптерін болдырмау үшін Hilti ұсынған түпнұсқа керек-жарақтар мен бұрғылау коронкаларын ғана қолданыңыз.



### 3.2 Аспаптың құрамдас бөлшектері және басқару элементтері



#### Алмас бұрғылау станогы DD 120

- ① Ұрлықтан қорғаныс жүйесінің индикаторы (таңдау бойынша)
- ② Қызметтік индикатор
- ③ Бұрғылау күшінің индикаторы
- ④ Қосқыш/ажыратқыш
- ⑤ Шеткі тіреуіш
- ⑥ Бағыттауыш
- ⑦ Сермер
- ⑧ Жылжыма қуысын реттегіш бұрандалар (4 дана)
- ⑨ Жылжыма бекіткіші
- ⑩ Жылжыма
- ⑪ Дюбельдік тірек тақтасы
- ⑫ Нивелирлеу бұрандалары (4 дана)
- ⑬ Құрал бекіткіші
- ⑭ Жууға арналған жалғастырғыш
- ⑮ Редуктордың ауыстырып-қосқышы
- ⑯ Редуктор
- ⑰ Электр қозғалтқышы
- ⑱ Көмір қылшақтарының қаптамасы
- ⑲ PRCD ажыратқышы бар желілік кабель

#### 3.2.1 Вакуумды таяныш пластина (қосалқы құрал)

- ⑳ Қыспа шпindelь
- ㉑ Вакуумдық штыцкер
- ㉒ Вакуумметр
- ㉓ Вакуумдық желдету клапаны
- ㉔ Вакуумдық тығыздауыш

#### 3.2.2 Фиксация

- ㉕ Қыспа шпindelь
- ㉖ Анкер
- ㉗ Шпindelьдің қысқыш сомыны

#### 3.2.3 Суды кетіру жүйесі

- ㉘ Су коллекторының ұстағышы
- ㉙ Су коллекторы

### 3.3 Қызметтік индикатор

Өнім жарық сигналы бар қызметтік индикатормен жабдықталған.

### 3.4 Жеткізілім жинағы

Алмасты бағаналы бұрғы білдек, сермер, пайдалану бойынша нұсқаулық.

Станина бөлек жеткізіледі. Оған қоса, өніміңіз үшін рұқсат етілген жүйелік өнімді **Hilti Store** дүкенінде немесе келесі веб-сайтта табуға болады: [www.hilti.group](http://www.hilti.group).

### 3.5 Генераторды немесе трансформаторды қолдану

Аспап келесі шарттарды сақтағанда генератордан немесе трансформатордан қуат ала алады: Шығыс қуат (Вт) аспаптың фирмалық тақтайшасында көрсетілген максималды қуаттан кемінде екі есе артық болуы керек; жұмыс кернеуі әрдайым номиналды кернеудің +5% және -15% аралығында және жиілік 50-60 Гц құрал, еш жағдайда 65 Гц-тен аспауы керек және іске қосу күйейткіші бар автоматты кернеу тұрақтандырғышы бар болуы керек.





Басқа аспаптарды қосқанда/өшіргенде қуат көрнеуі секіріп, бұл аспапты зақымдауы мүмкін.

## 4 Техникалық сипаттамалар

### 4.1 Техникалық сипаттамалар

Салмағы (600 мм бағыттауыш), ЕРТА 01 процедурасы бойынша	9,8 кг
Қондырғының су жүйесіндегі ең жоғары рұқсатты қысым	6 бар
Бос жүрістегі номиналды айналу жиілігі, 1-беріліс	740 А/мин
Бос жүрістегі номиналды айналу жиілігі, 2-беріліс	1580 А/мин
Қысқа бағыттауышы бар станинаның өлшемдері (Ұ x Е x Б)	330 мм x 147 мм x 600 мм
Орташа бағыттауышы бар станинаның өлшемдері (Ұ x Е x Б)	330 мм x 147 мм x 720 мм
Ұзын бағыттауышы бар станинаның өлшемдері (Ұ x Е x Б)	330 мм x 147 мм x 830 мм
Қорғау класы	I қорғау класы (жерге қосу бар)

### 4.2 Берілістер және оларға қатысты бұрғылау коронкасының диаметрі



\*Аспабыңыздың бұрғылау диаметрін фирмалық тақтайшадан қараңыз.

Арматурасы азырақ бетон беттерде жоғарырақ бұрғылау өнімділігіне қол жеткізу үшін, Ø 82 мм (3 1/2 дюйм) шамасына дейінгі екінші берілісті пайдалануға болады.

Беріліс	Бұрғылау коронкасының диаметрі	Жүктемесіз айналу жиілігі
1	57 ... 132 (*162) мм	740 А/мин
2	16 ... 52 мм	1580 А/мин

### 4.3 EN 62841 стандарты бойынша шуыл туралы ақпарат және діріл мәні

Осы нұсқауларда көрсетілген дыбыс қысымы мен діріл деңгейі стандартты өлшеу әдісімен өлшенген және оны басқа электр құралдарымен салыстыру үшін пайдалануға болады. Сонымен бірге, ол экспозицияны алдын ала бағалау үшін жарайды.

Берілген деректер электр құралының негізгі жұмысын көрсетеді. Алайда, егер электр құралы басқа мақсаттарда, басқа жұмыс аспаптарымен қолданылса немесе оған қанағаттандырмайтын техникалық қызмет көрсетілсе, деректер өзгеше болуы мүмкін. Осының салдарынан аспаптың бүкіл жұмыс істеу кезеңінде экспозиция айтарлықтай артуы мүмкін.

Экспозицияны дәл анықтау үшін аспап сөндірілген күйде немесе бос жұмыс істейтін уақыт аралықтарын да ескеру керек. Осының салдарынан аспаптың бүкіл жұмыс істеу кезеңінде экспозиция айтарлықтай азаюы мүмкін.

Пайдаланушыны пайда болатын шуылдан және/немесе дірілден қорғау үшін қосымша сақтық шараларын қолданыңыз, мысалы: электр аспабына және жұмыс аспаптарына техникалық қызмет көрсету, қолдардың жылуын сақтау, жұмыс процестерін дұрыс ұйымдастыру.

#### Шуыл туралы ақпарат

А санаты бойынша өлшенген дыбыс қысымы деңгейінің мәні	102 дБ
А санаты бойынша өлшенген шығыс дыбыстық қысымы деңгейінің мәні	89 дБ
Жоғарыда берілген дыбыс қысымы деңгейінің дәлсіздігі	3 дБ

#### Діріл деңгейі

Бетон бойынша бұрғылау (ылғалды), a <sub>n</sub>	2,5 м/с <sup>2</sup>
Дәлсіздік (К)	1,5 м/с <sup>2</sup>





## 5 Жұмысқа дайындық

### ЕСКЕРТУ

**Жарақат алу қаупі бар!** Станина жеткіліксіз түрде бекітілген жағдайда айналуы немесе аударылып қалуы мүмкін.

- ▶ Алмасты бағаналы бұрғы білдекті қолдану алдында станинаны анкерлермен немесе вакуумдық тірек тақтасы арқылы өңделетін бетке бекітіңіз.
- ▶ Бар астыңғы бетке сәйкес келетін анкерді ғана қолданыңыз және анкер өндірушісінің орнату бойынша нұсқауларын орындаңыз.
- ▶ Бар астыңғы бет станинаны вакуумдық бекіткіш арқылы бекітуге жараған жағдайда ғана вакуумдық тірек тақтасын пайдаланыңыз.

### 5.1 Сермерді алмасты бағаналы бұрғы білдекке орнату

1. Шплинтті алып тастап, сермерді білікке орнатыңыз.
2. Сермерді шплинтпен бекітіңіз.



Сермерді жылжыманың екі жағына да орнатуға болады.

### 5.2 Алмасты бағаналы бұрғы білдекті станинаға бекіту

#### АБАЙЛАҢЫЗ

**Жарақат алу қаупі** Алмасты колонкалы бұрғының күтілмеген іске қосылуынан қауіп.

- ▶ Алмасты колонкалы бұрғы жөндеу барысында электр қуаты желісіне қосылмаған болуы керек.

1. Ішкі алты қырлы гайка кілтінің көмегімен ішкі бұранданы босатыңыз.
2. Бағыттауыштан шеткі тіреуішті алып тастаңыз.
3. Жылжыма бекіткішін реттегіш тұтқаны толықтай бұрап шығару арқылы ашыңыз.
4. Алмасты бағаналы бұрғы білдекті арнайы саңылау арқылы бағыттауышқа орнатыңыз.
5. Алмасты бағаналы бұрғы білдекті бағыттауышқа толықтай кіргізу үшін, сермерді қолданыңыз.
6. Алмасты бағаналы бұрғы білдекті жылжыма бекіткішін толықтай бұрап бекіту арқылы бекітіңіз.
7. Сермерді сәл бұрау арқылы алмасты бағаналы бұрғы білдектің берік бекітілгенін тексеріп шығыңыз.
8. Шеткі тіреуішті бағыттауышқа орнатып, берік бекітілгенін тексеріп шығыңыз.



Жылжыма қуысын тексеріп шығып, қажет болса, реттеп шығыңыз. → Бет 97

### 5.3 Станинаны анкермен бекіту

#### ЕСКЕРТУ

**Қате анкерді пайдаланудан жарақат алу қаупі бар!** Аспап шығып кетіп, зақымдар тигізуі мүмкін.

- ▶ Бар астыңғы бетке сәйкес келетін анкерді қолданыңыз, сондай-ақ, анкер өндірушісінің орнату бойынша нұсқауларын орындаңыз.



**Hilti M12** металл кергіш дюбелі әдетте нығайтылған бетонда алмасты бағаналы бұрғы жабдықты бекіту мақсатында қолданылады. Белгілі бір жағдайларда балама бекіту қажет болуы мүмкін. Берік бекітуге қатысты сұрақтар болған жағдайда **Hilti** техникалық қызмет көрсету орталығына хабарласыңыз.

1. Саңылаудың ортасынан 203 мм (8 дюйм) арақашықтықта тиісті астыңғы бетке арналған анкерді орнатыңыз.
2. Қыспа шпиндельді анкерге бұрап бекітіңіз.
3. Барлық нивелирлеу бұрандаларын тірек тақтасы астыңғы бетке жанасып тұрғанша кері бұраңыз.
4. Станинаны қыспа шпиндель арқылы орналастырып, станинаны туралаңыз.
5. Қыспа шпиндель гайкасын қыспа шпиндельге бұраңыз, бірақ бекітпеңіз.



6. Тірек тақтасын 4 орнату болтының көмегімен туралаңыз.



Барлық нивелирлеу бұрандалары астыңғы бетке берік тірелуі тиіс.

7. Станинаны қыспа шпindelь гайкасымен және (SW 19) ашалы гайка кілтімен бекітіңіз.

8. Станинаның берік бекітілгенін тексеріп шығыңыз.

#### 5.4 Станинаны вакуумдық тірек тақтасымен (керек-жарақ) бекіту



##### ҚАУІПТІ

**Алмасты бағаналы бұрғы білдектің құлауынан жарақат алу қаупі бар !**

▶ Станинаны төбеге тек вакуумдық бекіткішпен бекіту рұқсат етілмейді. Қосымша бекіту, мысалы, қатты тірекпен немесе бұранда шпindelьмен қамтамасыз етіледі.



##### ЕСКЕРТУ

**Қысымды бақылау құралы жоқ болғаннан жарақат алу қаупі бар !**

▶ Жұмыстың алдында және оны орындау барысында манометр нұсқары жасыл өрісте болуы тиіс.



Таңдалған бұрғылау коронкасы вакуумдық тірек тақтасына зиян тигізбейтініне көз жеткізіңіз.

Станинаны орналастырған кезде орнату және қолдану үшін жеткілікті бос орынның бар екендігін тексеріңіз.

Вакуумдық бекіткішті тек диаметрі  $\leq 300$  мм ( $\leq 12$  дюйм) станинаны пайдалану үшін және аралық бөлшекті қолданусыз пайдаланыңыз.

1. Саңылау ортасынан шамамен 800 мм (31,5 дюйм) бағдар сызықты алмасты бағаналы бұрғы білдек орналастырылатын бағытпен созыңыз.

2. Саңылау ортасынан 203 мм (8 дюйм) арақашықтықта белгі сызықты бағдар сызыққа тігінен орналастырыңыз.

3. Барлық нивелирлеу бұрандаларын дюбельдік тірек тақтасы астыңғы бетке жанасып тұрғанша кері бұраңыз.

4. Станинаны вакуумдық тірек тақтасына шпindelь арқылы орналастырыңыз.

▶ Дюбельдік тірек тақтасы вакуумдық тірек тақтасының шектік тіректерімен жанасады.

5. Станинаны қыспа шпindelь гайкасымен және SW 19 ашалы гайка кілтімен бекітіңіз.

6. Вакуумдық тірек тақтасының вакуумдық штуцерін вакуумдық сорғыға қосыңыз.

7. Вакуумдық сорғыны іске қосып, вакуумдық тірек тақтасын астыңғы бетке қарай басыңыз.

8. Алмасты бағаналы бұрғы білдекті туралау үшін, вакуумдық желдету клапанын басып тұрыңыз.



Туралау үшін дюбельдік тірек тақтасындағы белгіні және белгі сызықты қолданыңыз.

9. Вакуумдық желдету клапанын босатып, вакуумдық тірек тақтасын астыңғы бетке қарай басыңыз.

10. Станинаның берік бекітілгенін тексеріп шығыңыз.

11. Қажет болса, алмасты бағаналы бұрғы білдекті 4 нивелирлеу бұрандасының көмегімен нивелирлеңіз.

#### 5.5 Су берілісін (керек-жарақ) орнату



##### НАЗАР АУДАРЫҢЫЗ

**Қате қолданудан қауіп туындайды!** Қате қолдану шлангінің бұзылуына апарып соғуы мүмкін.

▶ Шлангілерде зақымдардың жоқтығын уақытылы тексеріп отырыңыз. Олардағы максималды қысым 6 бардан аспауын қадағалаңыз.

▶ Шлангінің айналмалы бөліктермен қақтығысып қалуына жол бермеңіз.

▶ Жылжыманы беру кезінде шлангінің зақымдалып қалмауын қадағалаңыз.

▶ Максималды су температурасы: 40°C.

▶ Су жүйесінің берік қосылғанын тексеріңіз.





Аспап элементтерінің зақымдалуын болдырмау үшін тек тұщы суды немесе лас бөлшектері жоқ суды қолданыңыз.

Керек-жарақ ретінде аспап пен су берілісі арасындағы ағын индикаторын орнатуға болады.

1. Алмасты колонкалы бұрғыдағы су берілісін жабыңыз.
2. Суды жіберу желісін қосыңыз (шланг қосылымы).

## 5.6 Су ұстау жүйесін (керек-жарақ) құрастыру



### ЕСКЕРТУ

**Ток соғу қаупі бар!** Сорғыш ақаулы болған жағдайда су қозғалтқыш пен қақпақ үстіне ағуы мүмкін!

- Сорғыш жұмыс істемей қалса, жұмысты дереу тоқтатыңыз.



### АБАЙЛАҢЫЗ

**Жарақат алу қаупі бар!** Өнімнің кездейсоқ іске қосылуы.

- Аспап реттеулерін орындау немесе қосалқы бөлшектерді алмастыру алдында желілік ашаны тартып шығарыңыз.



Жоғары қарай бұрғылау кезінде алмасты бағаналы бұрғы білдек төбеге 90° бұрышта орналасуы керек. Су коллекторы жүйесінің тығыздауышы алмас бұрғылау коронкасының диаметріне сай келуі тиіс.

Суды ұстау жүйесі жұмыс орнын ластанбастан, судың коронкадан кетуіне мүмкіндік береді.

1. Станинадағы бұранданы алып тастаңыз.
2. Су коллекторының ұстағышын бұранданың көмегімен станинаға орнатыңыз.
3. Су коллекторын орнатылатын тығыздауышпен және су коллекторының тығыздауышымен су коллекторы ұстағышының екі жылжымалы кронштейні арасында орнатыңыз.
4. Су коллекторын оның ұстағышындағы екі бұранданың көмегімен астыңғы бетке қарай тартыңыз.
5. Су коллекторына ылғалды шаңсорғышты жалғаңыз немесе су ағатын шланг қосылымын жасап шығарыңыз.

## 5.7 Алмас бұрғылау коронкасын орнату (ВI+ құрал бекіткіші)



### ҚАУІПТІ

**Жарақат алу қаупі** Өңделіп жатқан бөлшектердің немесе сынған аспаптардың сынықтары шетке ұшуы және тіпті жұмыс аймағының шектерінен тыс қызметкерлерді жарақаттауы мүмкін..

- Зақымдалған жұмыс аспаптарын қолданбаңыз. Алмалы-салмалы аспаптарды әр қолдану алдында онда сынып кеткен жерлер, жарықтар, тозу бар-жоғын тексеріңіз.



### АБАЙЛАҢЫЗ

**Жарақат алу қаупі бар!** Өнімнің кездейсоқ іске қосылуы.

- Аспап реттеулерін орындау немесе қосалқы бөлшектерді алмастыру алдында желілік ашаны тартып шығарыңыз.



Кесу қабілетінің анық төмендегенін немесе бұрғылау жылдамдығының азайғанын байқаған жағдайыңызда алмас бұрғылау коронкалары тез арада ауыстырылуы қажет. Жалпы жағдайда алмас сегменттері 2 мм (1/16 дюйм) кіші болса алмастыру керек болады.

C-Rod, A-Rod, M27 және BR құрал бекіткіштері үшін SW 27 ашалы гайка кілті пайдаланылады.

1. Алмасты бағаналы бұрғы білдекті жылжыма бекіткішін толықтай бұрап бекіту арқылы бекітіңіз.
2. (ВI+) құрал бекіткішін ашық жақша белгісінің бағытымен бұрау арқылы ашыңыз.
3. Алмас бұрғылау коронкасының бекіту жүйесін астынан алмасты бағаналы бұрғы білдектегі тісті қосылымға енгізіңіз.
4. Құрал бекіткішін жабық жақша белгісінің бағытымен бұрау арқылы жауып қойыңыз.
5. Алмас бұрғылау коронкасының құрал бекіткішіне берік бекітілгенін тексеріп шығыңыз.



## 5.8 Айналу жиілігін таңдау

### АБАЙЛАҢЫЗ

**Тозу қаупі** Жетекші механизм зақымдалуының қаупі

► Пайдалану кезінде қосуға тыйым салынады. Шпиндельдің толық тоқтауын күтіңіз.

1. Ажыратқыш параметрін қолданылған бұрғылау коронкасының диаметріне сәйкес таңдаңыз.
2. Бір уақытта қолмен бұрғылау коронкасын айналдырып, айырып-қосқышты қажетті күйге орнатыңыз.

## 5.9 Алмас бұрғылау коронкасын шығару (BI+ құрал бекіткіші)

### ҚАУІПТІ

**Жарақат алу қаупі** Өңделіп жатқан бөлшектердің немесе сынған аспаптардың сынықтары шетке ұшуы және тіпті жұмыс аймағының шектерінен тыс қызметкерлерді жарақаттауы мүмкін..

► Зақымдалған жұмыс аспаптарын қолданбаңыз. Алмалы-салмалы аспаптарды әр қолдану алдында онда сынып кеткен жерлер, жарықтар, тозу бар-жоғын тексеріңіз.

### АБАЙЛАҢЫЗ

**Жарақат алу қаупі бар!** Өнімнің кездейсоқ іске қосылуы.

► Аспап реттеулерін орындау немесе қосалқы бөлшектерді алмастыру алдында желілік ашаны тартып шығарыңыз.

C-Rod, A-Rod, M27 және BR құрал бекіткіштерінде аспап білігін SW 27 ашалы гайка кілтінің көмегімен бекітіңіз және бұрғылау коронкасын арнайы ашалы гайка кілтінің көмегімен шығарыңыз.

1. Алмасты бағаналы бұрғы білдекті жылжыма бекіткішін толықтай бұрап бекіту арқылы бекітіңіз.
2. (BI+) құрал бекіткішін ашық жақша белгісінің бағытымен бұрау арқылы ашыңыз.
3. Бұрғылау коронкасын босату үшін, іске қосқыш төлкені көрсеткі бағытымен аспапқа қарай тартыңыз.
4. Бұрғылау коронкасын құрал бекіткішінен (BI+) шығарыңыз.

## 6 Қызмет көрсету

### 6.1 TPS ұрлаудан қорғайтын құрылғысы (қосымша)

Өнімді қосымша TPS ұрлаудан қорғайтын құрылғы функциясымен жабдықтауға болады. Сонда оны тек сәйкес кілтпен құлыптан босату және пайдалану мүмкін болады.

### 6.2 Аспапты TPS ұрлықтан қорғаныс жүйесі арқылы құлыптан босату

1. Алмасты бағаналы бұрғы білдектің қуат ашасын розеткаға жалғаңыз.
2. PRCД жылыстау тоғын ауыстырып-қосқыштың «Reset» немесе «!» түймесін басыңыз.
  - ↳ Бұдан кейін ұрлықтан қорғаныс жүйесінің сары шамы жыпықтай бастайды.
3. Электрондық кілтті тікелей құлып пиктограммасына орналастырыңыз.
  - ↳ Ұрлықтан қорғаныс жүйесінің сары шамы сөнеді және аспап құлыптан босатылады.

Егер қуаттың берілуі үзілсе, өнім жұмысқа дайын күйінде шамамен 20 минут ішінде тұрады. Ұзақ үзілістер орын алғанда ұрлықтан қорғаныс жүйесі электрондық кілтпен ажыратылуы тиіс.

### 6.3 PRCД токтан қорғау автоматы

1. Алмасты колонкалы бұрғының желілік кабелінің ашасын жерге қосылымы бар электрлік розеткаға салыңыз.
2. PRCД кему тоғының қорғаныс ажыратқышындағы "I" немесе "RESET" түймесін басыңыз.
  - ↳ Индикатор жанады.
3. PRCД кему тоғының қорғаныс ажыратқышындағы "0" немесе "TEST" түймесін басыңыз.
  - ↳ Индикатор сөнеді.



### ЕСКЕРТУ

**Ток соғудан жарақат алу қаупі бар!** 0 немесе TEST түймесін басқан кезде жылыстау тоғынан қорғайтын сымның индикаторы өшпеген жағдайда, алмасты бағаналы бұрғы білдектің қолданылуын жалғастыруға болмайды!

▶ Алмасты колонкалы бұрғыны Hilti қызмет көрсету орталығында жөндеңіз.

4. PRCD кему тоғының қорғаныс ажыратқышындағы "I" немесе "RESET" түймесін басыңыз.

↳ Индикатор жанады.

## 6.4 Алмасты бағаналы бұрғы білдекті ылғалды шаңсорғышсыз пайдалану

1. Суды жұмсау реттегішін баяу ашыңыз және қажетті жұмсауды таңдаңыз.



Алмасты бағаналы бұрғы білдекті су жинағыш жүйесімен/жүйесіз пайдалануға болады. Су жинағыш жүйесі арқылы бұрғылаудан пайда болған су шланг арқылы шығарылады, бұл ретте су жинағыш жүйесі арқылы бақылаусыз шықпайды. Су жинағыш жүйесімен бірге пайдалану кезінде алдымен су жинағыш жүйесін орнатыңыз → Бет 93.

Өр тәсілде жоғары қарай бұрғылауға тыйым салынады.

2. Қосқыш/ажыратқышты «I» күйіне бұраңыз.

3. Жылжыма бекіткішін ашыңыз.

4. Тұтқаны айналдырып, бұрғылау коронкасын болжалды тесік орнына апарыңыз.

5. Бұрғылауды бастау үшін, бұрғылау коронкасын ортаға келгенше кішкене ғана басыңыз, содан кейін ғана басу қысымын арттырыңыз.

6. Бұрғылау күшінің индикаторына назар аударыңыз.



Бұрғылау күшінің индикаторы жұмыс басында сарғылт түспен жанып тұрады. Бұрғылаудың оңтайлы күшіне қол жеткізу үшін, бұрғылау күшінің индикаторы жасыл түспен жанып тұруы тиіс. Бұрғылау күшінің индикаторы қызыл түспен жанып тұрғанда басу қысымын төмендету қажет.

## 6.5 Алмасты бағаналы бұрғы білдекті ылғалды шаңсорғышпен бірге пайдалану

### ЕСКЕРТУ

**Ток соғу қаупі бар!** Сорғыш ақаулы болған жағдайда су қозғалтқыш пен қақпақ үстіне ағуы мүмкін!

▶ Сорғыш жұмыс істемей қалса, жұмысты дереу тоқтатыңыз.

1. Су жинағыш жүйесін орнатыңыз → Бет 93 және ылғалды шаңсорғышты жалғаңыз.

2. Ылғалды шаңсорғышты іске қосыңыз, автоматты режимді қолдануға болмайды.

3. Суды жұмсау реттегішін баяу ашыңыз және қажетті жұмсауды таңдаңыз.

4. Қосқыш/ажыратқышты «I» күйіне бұраңыз.

5. Жылжыма бекіткішін ашыңыз.

6. Тұтқаны айналдырып, бұрғылау коронкасын болжалды тесік орнына апарыңыз.

7. Бұрғылауды бастау үшін, бұрғылау коронкасын ортаға келгенше кішкене ғана басыңыз, содан кейін ғана басу қысымын арттырыңыз.

8. Бұрғылау күшінің индикаторына назар аударыңыз.



Бұрғылау күшінің индикаторы жұмыс басында сарғылт түспен жанып тұрады. Бұрғылаудың оңтайлы күшіне қол жеткізу үшін, бұрғылау күшінің индикаторы жасыл түспен жанып тұруы тиіс. Бұрғылау күшінің индикаторы қызыл түспен жанып тұрғанда басу қысымын төмендету қажет.

## 6.6 Бұрғылау коронкасы сыналанып жағдайдағы әрекеттердің реті

Қысылу орын алған жағдайда алдымен үйкелісті муфта босатылады. Содан кейін электроника қозғалтқышты өшіріп, пайдаланушы қолмен орындайтын әрекеттерсіз автоматты түрде екі рет қайта іске қосады. Егер қысылу кетірілмесе, электроника қозғалтқышты 90 секундқа өшіреді. Қысылуды төмендегідей қолмен түзетуге болады:

### 6.6.1 Бұрғылау коронкасын ашалы гайка кілтінің көмегімен босату

1. Желілік ашаны розеткадан шығарыңыз.

2. Арнайы гайка кілтімен алмас бұрғылау коронкасын артқы ілмегінен ұстап алыңыз және оны бұрау арқылы ажыратыңыз.



3. Желілік кабель ашасын розеткаға салыңыз.
4. Бұрғылау процесін жалғастырыңыз.

### 6.6.2 Бұрғылау коронкасын сермердің көмегімен босату

1. Желілік ашаны розеткадан шығарыңыз.
2. Бұрғылау коронкасын тұтқамен төменгі беттен жоғары босатыңыз.
3. Желілік кабель ашасын розеткаға салыңыз.
4. Бұрғылау процесін жалғастырыңыз.

## 6.7 Алмасты бағаналы бұрғы білдекті өшіру



### ЕСКЕРТУ

**Адамдар мен материалға қауіп** Жоғары бағытта бұрғылау кезінде алмас қаптама суға толады. Алмасты колонкалы бұрғы зақымдалуы мүмкін және бұл ток соғу қаупін арттырады.

- ▶ Жоғары бағыт бойынша бұрғылауды аяқтаған соң, ең алдымен суды мұқият төгіп тастаған жөн. Ол үшін, су шығынын реттегіштен судың берілуін ажырату және реттегішті ашып, суды төгу қажет. Су қозғалтқыш пен қорғаныс қақпағы бойынша ақпауы тиіс.

1. Алмасты бағаналы бұрғы білдектегі су берілісін жабыңыз.
2. Алмас бұрғылау коронкасын саңылаудан алыңыз.
3. Алмасты бағаналы бұрғы білдекті жылжыма бекіткішімен бекітіңіз.
4. Алмасты бағаналы бұрғы білдекті өшіріңіз.
5. Ылғалды шаңсорғыш қолжетімді болса, оны сөндіріңіз.

## 6.8 Алмасты бағаналы бұрғы білдекті бөлшектеу

1. Желілік ашаны розеткадан шығарыңыз.
2. Бұрғылау коронкасын алу үшін, «Алмас бұрғылау коронкасын шығару» тарауын қараңыз → Бет 94.
3. Қажет болса, бұрғылау кернін алып тастаңыз.
4. Алмасты бағаналы бұрғы білдекті астыңғы беттен бөлшектеңіз.



Жүйені толықтай бөлшектеу ұсынылатын жағдайда, аспапты бағыттауышта тоқтатқаннан кейін бұрғылау коронкасы астыңғы бетке тигенше толықтай төмен қарай жылжытуға кеңес беріледі. Осылайша алмасты бағаналы бұрғы білдектің құлауына жол берілмейді.

# 7 Күту және техникалық қызмет көрсету

## 7.1 Күту және техникалық қызмет көрсету



### ЕСКЕРТУ

**Ток соғу қаупі бар!** Желілік аша енгізіліп тұрған кезде күтім және техникалық қызмет көрсету ауыр жарақаттарға және өртке апарып соғуы мүмкін.

- ▶ Кез келген күтім және техникалық қызмет көрсету жұмысын орындамас бұрын желілік ашаны әрдайым суырып алыңыз!

### Аспапты күту

- Қатты жабысқан кірді мұқият кетіріңіз.
- Желдету ойықтарын құрғақ щеткамен жайлап тазалаңыз.
- Корпусты тек сәл суланған шүберекпен тазалаңыз. Ешқандай силикон қамтитын күтім құралдарын пайдаланбаңыз, өйткені олар пластмасса бөлшектерін зақымдауы мүмкін.

### Техникалық қызмет көрсету



### ЕСКЕРТУ

**Ток соғу қаупі!** Электрлік құрамдас бөлшектерді қате жөндеу ауыр жарақаттану мен өртке апарып соғуы мүмкін.

- ▶ Аспаптың электр бөлігін жөндеуді тек маман-электрикке тапсырыңыз.

- Барлық кезге көрінетін бөлшектерде зақымдардың бар-жоғын және басқару элементтерінің ақаусыз жұмысын жиі тексеріп тұрыңыз.



- Өнім зақымдалған және/немесе ақаулы болған жағдайда оны пайдаланушы болмаңыз. Бірден **Hilti** қызмет көрсету орталығына жөндетіңіз.
- Күтім және техникалық қызмет көрсету жұмыстарынан кейін барлық қорғаушы құрылғыларды орнатып, жұмысын тексеріңіз.



Қауіпсіз қолдану үшін тек түпнұсқа қосалқы бөлшектер мен жұмсалатын материалдарды қолданыңыз. Біз рұқсат еткен қосалқы бөлшектер, шығын материалдары мен өнімге арналған керек-жарақтар **Hilti Store** дүкенінде немесе келесі веб-сайтта қолжетімді: [www.hilti.group](http://www.hilti.group).

## 7.2 Бағыттаушы мен жылжыма бөлшектің арасындағы саңылауды күйге келтіру

1. Жылжыма қуысын реттегіш бұрандаларды ішкі алты қырлы гайка кілтінің көмегімен тартыңыз.

Техникалық сипаттамалар	
Айналдыру моменті	5 Н·м

2. Реттегіш бұрандаларды 1/4 айналымымен қайтадан босатыңыз.
3. Егер жылжыма алмас бұрғылау коронкасыңыз өз жұмыс күйінде қалса, ал алмас бұрғылау коронкасымен төмен қарай орын алмастырса, ол дұрыс ретке келтірілген.

## 7.3 Көмір қылшақтарын ауыстыру

### ЕСКЕРТУ

**Ток соғудан жарақат алу қаупі бар !**

- ▶ Құрал тек өкілдендірілген қызметкерлер құрамымен ғана пайдаланылуы, күтілуі және жөнделуі мүмкін! Қызметкерлер құрамы қауіпсіздік техникасы бойынша арнайы нұсқамадан өтуі тиіс.

### ЕСКЕРТУ

**Ток соғу қаупі бар!** Желілік аша енгізіліп тұрған кезде күтім және техникалық қызмет көрсету ауыр жарақаттарға және өртке апарып соғуы мүмкін.

- ▶ Кез келген күтім және техникалық қызмет көрсету жұмысын орындамас бұрын желілік ашаны әрдайым суырып алыңыз!

1. Мотордың сол және оң жағында көмір қылшақтарының қаптамаларын ашыңыз.
2. **Көмір қылшақтары және сымдар қалай орнатылғанына назар аударыңыз.** Қолданылған көмір қылшақтарын алмасты колонкалы бұрғыдан шығарыңыз.
3. Жаңа көмір қылшақтарын дәл ескілері орнатылғандай орнатыңыз.



Орнату кезінде сымдардың изоляциясын зақымдап алмаңыз.

4. Мотордың сол және оң жағындағы көмір қылшақтарының қаптамаларын бұрап бекітіңіз.
5. Көмір қылшақтарын бос жүріс күйінде кемінде 1 минут ішінде үздіксіз жұмыс істетіңіз.
  - ↳ Сигналдық шам шамамен 1 минуттық жұмыс уақытынан кейін өшеді.

## 8 Тасымалдау және сақтау

### Тасымалдау

- ▶ Аталмыш өнімді енгізілген құралмен бірге тасымалдамаңыз.
- ▶ Тасымалдау кезінде өнімнің берік бекітілгеніне көз жеткізіңіз.
- ▶ Әр тасымалдағаннан кейін көзге көрінетін барлық бөліктерде зақымдардың бар-жоғын және басқару элементтерінің ақаусыз жұмысын тексеріп тұрыңыз.

### Сақтау

- ▶ Аталмыш өнімді әрдайым желілік ашасын ажыратып сақтаңыз.
- ▶ Аталмыш өнімді құрғақ күйінде және балалар мен рұқсаты жоқ адамдардың қолы жетпейтін жерде сақтаңыз.
- ▶ Ұзақ уақыт сақтағаннан кейін көзге көрінетін барлық бөліктерде зақымдардың бар-жоғын және басқару элементтерінің ақаусыз жұмысын тексеріп шығыңыз.



## 8.1 Алмасты бағаналы бұрғы білдекті тасымалдау

### ЕСКЕРТУ

**Жарақат алу қаупі бар!** Бөлек бөлшектер босатылып құлауы мүмкін.

▶ Алмасты колонкалы бұрғыны және/немесе станинаны қранға ілуге тыйым салынады.

- ▶ Алмасты бағаналы бұрғы білдекті, станинаны және бұрғылау коронкасын бөлек тасымалдаңыз.
  - ↳ Тасымалды жеңілдету үшін жетекті (қосалқы құрал) орнатыңыз.
- ▶ Алмасты колонкалы бұрғыны сақтау алдында су реттегішін ашыңыз.

## 9 Ақаулықтардағы көмек


- ▶ Бұл кестеде келтірілмеген немесе өзіңіз түзете алмайтын ақаулықтар орын алғанда, **Hilti** қызмет көрсету орталығына хабарласыңыз.

### 9.1 Алмасты колонкалы бұрғы қолдануға жарамсыз


Ақаулық	Ықтимал себеп	Шешім
<p>Қызметтік индикатор көрсетілмейді.</p>	PRCD қосылмаған.	▶ PRCD жұмыс қабілетін тексеріп, оны қосыңыз.
	Электр қамтуы жоқ.	▶ Басқа электр құралды жалғап, жұмысын тексеріңіз. ▶ Штекер қосылымдарын, желілік кабельді, электрлік сымдарды және сақтандырғыштарды тексеріңіз.
	Сөндіргіш ақаулы.	▶ Аспапты Hilti сервис орталығында жөндету керек.
	Электроника ақаулы.	▶ Аспапты Hilti сервис орталығында жөндету керек.
	Моторда су бар.	▶ Алмасты колонкалы бұрғыны жылы, құрғақ жерде кептіріңіз.
<p>Қызметтік индикатор жанып тұр.</p>	Көмір қылшақтары тозған.	▶ Көмір қылшақтарын ауыстырыңыз. → Бет 97
<p>Қызметтік индикатор жыпылықтайды.</p>	Айналу жиілігінің ақаулығы.	▶ Аспапты Hilti сервис орталығында жөндету керек.
<p>Бұрғылау күшінің индикаторы қызыл түспен жыпылықтайды.</p>	Мотор қызып кетті.	▶ Моторды бірнеше минут суытыңыз немесе салқындату процесін тездету үшін алмасты колонкалы бұрғыны бос жүрісте жұмыс істетіңіз. Алмасты колонкалы бұрғыны өшіріп қайта қосыңыз.
	Шамадан тыс жүктеме қатесі.	▶ Алмасты колонкалы бұрғыны өшіріп қайта қосыңыз.





Ақаулық	Ықтимал себеп	Шешім
 <p>Ұрлықтан қорғау құралының индикаторы жыпылықтайды.</p>	Алмасты колонкалы бұрғы еркін ауысып-қосылмайды (ұрлыққа қарсы құралы бар алмасты колонкалы бұрғы үшін, қосымша).	<ul style="list-style-type: none"> <li>▶ Ұрлыққа қарсы құралы бар алмасты колонкалы бұрғыны еркін ауыстырып-қосыңыз.</li> </ul>

## 9.2 Алмасты колонкалы бұрғы қолдануға жарамды

Ақаулық	Ықтимал себеп	Шешім
 <p>Қызметтік индикатор жанып тұр.</p>	Көмір қылшақтары тозу шегіне жақындап қалды. Алмасты колонкалы бұрғы автоматты түрде тоқтатылғанға дейін қалған уақыт бірнеше сағат уақытты құрайды.	<ul style="list-style-type: none"> <li>▶ Көмір қылшақтарын алғаш мүмкіндікте алмастырыңыз.</li> </ul>
Алмасты колонкалы бұрғы толық күшпен жұмыс істемейді.	Желі ақаулығы – ток желісіндегі кернеу төмен.	<ul style="list-style-type: none"> <li>▶ Ток желісінде немесе генераторда басқа пайдаланушы кедергі келтіріп жатқанын тексеріңіз.</li> <li>▶ Қолданылған ұзартқыш кабельдің ұзындығын тексеріңіз.</li> </ul>
Алмас бұрғылау коронкасы айналмайды.	Редуктордың ауыстырып-қосқышы бекітілмеген.	<ul style="list-style-type: none"> <li>▶ Редуктордың ауыстырып-қосқышын тірелмегенше іске қосыңыз.</li> </ul>
	Алмас бұрғылау коронкасы астыңғы бетке қысылды.	<ul style="list-style-type: none"> <li>▶ Алмас бұрғылау коронкасын гайка кілтімен босатыңыз: Кабель ашасын желілік розеткадан шығарыңыз. Арнайы гайка кілтімен алмас бұрғылау коронкасын артқы ілмегінен ұстап алыңыз және оны бұрау арқылы ажыратыңыз.</li> </ul>
	Редуктор ақаулы.	<ul style="list-style-type: none"> <li>▶ Аспапты Hilti сервис орталығында жөндету керек.</li> </ul>
Бұрғылау жылдамдығы төмендейді.	Бұрғылаудың максималды тереңдігіне жетті.	<ul style="list-style-type: none"> <li>▶ Кернді алып тастап, бұрғылау коронкасының ұзартқышын пайдаланыңыз.</li> </ul>
	Керн алмас бұрғылау коронкасында қысылды.	<ul style="list-style-type: none"> <li>▶ Кернді алып тастаңыз.</li> </ul>
	Астыңғы бет үшін сипаттама қате.	<ul style="list-style-type: none"> <li>▶ Арнайы алмас бұрғылау коронкасының сипаттамасын таңдаңыз.</li> </ul>
	Болат кесінді жоғары (металл жоңқасымен таза суда анықтау үшін).	<ul style="list-style-type: none"> <li>▶ Арнайы алмас бұрғылау коронкасының сипаттамасын таңдаңыз.</li> </ul>



Ақаулық	Ықтимал себеп	Шешім
Бұрғылау жылдамдығы төмендейді.	Алмас бұрғылау коронкасы бұзылған.	▶ Алмас бұрғылау коронкасының зақымдалғанын тексеріңіз және қажет болса, ауыстырыңыз.
	Қате беріліс таңдалды.	▶ Дұрыс берілісті таңдаңыз.
	Қысу күші тым төмен.	▶ Қысу күшін арттырыңыз.
	Аспап қуаты тым төмен.	▶ Төменірек берілісті таңдаңыз.
	Алмас бұрғылау коронкасы мұқалған.	▶ Алмас бұрғылау коронкасын өткірлеу тақтасында өткірлеңіз.
	Су мөлшері тым жоғары.	▶ Судың мөлшерін суды реттегішпен азайтыңыз.
	Су мөлшері жеткіліксіз.	▶ Алмас бұрғылау коронкасының су берілісін бақылаңыз немесе су мөлшерін суды реттегішпен арттырыңыз.
	Тежегіш жабылған. Үйкелісті муфта тым тез іске қосылады немесе бос күйде айналады.	▶ Тежегішті ашыңыз. ▶ Аспапты Hilti сервис орталығында жөндету керек.
Сермерді қарсылықсыз бұрауға болмайды.	Шплинт сынған.	▶ Шплинтті ауыстырыңыз.
Алмас бұрғылау коронкасы құрал бекіткішінде орнатылмайды.	Артқы ілмек/құрал бекіткіші кір не зақымдалған.	▶ Артқы ілмекті немесе құрал бекіткішін тазалап, майлаңыз немесе алмастырыңыз.
Жууға арналған муфадан немесе редуктор корпусынан су ағады.	Су қысымы тым жоғары.	▶ Су қысымын төмендетіңіз.
Жұмыс барысында құрал бекіткішінен су шығады.	Алмас бұрғылау коронкасы құрал бекіткішіне жеткілісіз бұрап бекітілген.	▶ Алмас бұрғылау коронкасын берік бұрап бекітіңіз. ▶ Алмас бұрғылау коронкасын алып тастаңыз. Алмас бұрғылау коронкасын шамамен 90°-қа бұрғылау коронкасының осіне бұраңыз. Алмас бұрғылау коронкасын қайтадан орнатыңыз.
	Артқы ілмек/құрал бекіткіші ластанған.	▶ Артқы ілмекті немесе құрал бекіткішін тазалап, майлаңыз.
	Құрал бекіткішінің немесе артқы ілмектің тығыздатқышы бұзылған.	▶ Тығыздатқышты тексеріп, қажет болса, ауыстырыңыз.
Бұрғылау жүйесінде тыс көп бос орын бар.	Алмас бұрғылау коронкасы құрал бекіткішіне жеткілісіз бұрап бекітілген.	▶ Алмас бұрғылау коронкасын берік бұрап бекітіңіз. ▶ Алмас бұрғылау коронкасын алып тастаңыз. Алмас бұрғылау коронкасын шамамен 90°-қа бұрғылау коронкасының осіне бұраңыз. Алмас бұрғылау коронкасын қайтадан орнатыңыз.
	Артқы ілмек/құрал бекіткіші бұзылған.	▶ Артқы ілмек пен құрал бекіткішін бақылап, қажет болса, ауыстырыңыз.



Ақаулық	Ықтимал себеп	Шешім
Бұрғылау жүйесінде тыс көп бос орын бар.	Жылжымада тыс көп бос орын бар.	▶ Бағыттауыш пен жылжыма арасындағы бос қуысты реттеңіз. → Бет 97
	Бұрғы колонкасындағы болттық қосылымдар босап кетті.	▶ Бұрғы колонкасындағы бұрандалардың берік бекітілгенін тексеріңіз және қажет болса, бұрап бекітіңіз.
	Бұрғы колонкасы жеткіліксіз бекітілген.	▶ Бұрғы колонкасын жақсылап бекітіңіз.

## 10 Көдеге жарату

**Hilti** аспаптары қайта өңдеу үшін жарамды көптеген материалдардың санын қамтиды. Көдеге жарату алдында материалдарды мұқият сұрыптау керек. Көптеген елдерде **Hilti** компаниясы ескі аспабыңызды қайта өңдеу үшін қайта қабылдайды. **Hilti** қызмет көрсету орталығынан немесе дилеріңізден сұраңыз.



- ▶ Электр құралдарды, электрондық құрылғылар мен аккумуляторларды тұрмыстық қоқыспен бірге тастамаңыз!

### 10.1 Бұрғылау шламын көдеге жарату кезінде алдын ала өңдеу

Қоршаған ортаны қорғау мақсаттарында, бұрғылау қоқыстарының алдын ала өңдеусіз өзендерге, көлдерге немесе басқа табиғи су айдындарына түсуіне жол бермеу керек. Тиісті ақпаратты және нұсқауларды жергілікті билік органдарынан алуға болады.

1. Бұрғылау қалдықтарын жинаңыз (мысалы, ылғалды шаңсорғыш көмегімен).
2. Қалдықтардың отыруына мүмкіндік беріңіз және өнеркәсіптік қалдықтар үйіндісінде қатты шөгінділерді жойыңыз (флокулянттарды қосу отыру үрдісін жылдамдатады).
3. Қалған суды (сілтілі, рН мәні > 7) канализацияға төкпес бұрын, оны қышқыл реагенттерді қосып немесе судың көп мөлшерімен сұйылтып, бейтараптандырған жөн.

## 11 RoHS (зиянды заттектердің пайдаланылуын шектеу директивасы)

Төмендегі сілтемелер бойынша зиянды заттектердің кестесі келтірілген: [qr.hilti.com/r/3677](http://qr.hilti.com/r/3677) (DD 120). RoHS кестесінің сілтемесі осы құжаттаманың соңында QR коды ретінде берілген.

## 12 Өндіруші кепілдігі

- ▶ Кепілдік шарттары туралы сұрақтарыңыз болса, жергілікті **Hilti** серіктесіне хабарласыңыз.



## 1 Dokümantasyon verileri

### 1.1 Bu doküman için

- Çalıştırmadan önce bu dokümanı okuyunuz. Bu, güvenli çalışma ve arzasız kullanım için ön koşuldur.
- Bu dokümanda ve ürün üzerinde bulunan güvenlik ve uyarı bilgilerine dikkat ediniz.
- Kullanım kılavuzunu her zaman ürün üzerinde bulundurunuz ve ürünü sadece bu kılavuz ile birlikte başka kişilere veriniz.

### 1.2 Resim açıklaması

#### 1.2.1 Uyarı bilgileri

Uyarı bilgileri, ürün ile çalışırken ortaya çıkabilecek tehlikelere karşı uyarır. Aşağıdaki uyarı metinleri kullanılır:



#### **TEHLİKE**

#### **TEHLİKE !**

- ▶ Ağır vücut yaralanmalarına veya doğrudan ölüme sebep olabilecek tehlikeler için.



#### **İKAZ**

#### **İKAZ !**

- ▶ Ağır yaralanmalara veya ölüme neden olabilecek tehlikeler için.



#### **DİKKAT**

#### **DİKKAT !**

- ▶ Hafif vücut yaralanmalarına veya maddi hasarlara yol açabilecek olası tehlikeli durumlar için.

#### 1.2.2 Dokümandaki semboller

Bu dokümanda aşağıdaki semboller kullanılmıştır:

	Kullanmadan önce kullanım kılavuzunu okuyunuz
	Kullanım uyarıları ve diğer gerekli bilgiler
	Geri dönüşümlü malzemeler ile çalışma
	Elektrikli aletleri ve aküleri evdeki çöplere atmayınız

#### 1.2.3 Resimlerdeki semboller

Resimlerde aşağıdaki semboller kullanılmıştır:

<b>2</b>	Bu sayılar, kılavuzun başlangıcındaki ilgili resimlere atanmıştır
3	Numaralandırma, resimdeki çalışma adımlarının sırasını göstermektedir ve metindeki çalışma adımlarından farklı olabilir
<b>11</b>	Pozisyon numaraları <b>Genel bakış</b> resminde kullanılır ve <b>Ürüne genel bakış</b> bölümündeki açıklama numaralarına referans niteliğindedir
	Bu işaret, ürün ile çalışırken dikkatinizi çekmek için koyulmuştur.

### 1.3 Ürüne bağlı semboller

#### 1.3.1 Emredici işaretler

Aşağıdaki emredici işaretler kullanılır:

	Koruyucu gözlük kullanınız
	Koruyucu kask kullanınız



	Kulaklık kullanınız
	Koruyucu eldiven kullanınız
	Koruyucu ayakkabı kullanınız
	Hafif solunum koruma maskesi kullanınız

### 1.3.2 Üründeki semboller

Üründe aşağıdaki semboller kullanılabilir:

	Hırsızlığa karşı koruma göstergesi
	Servis göstergesi
	Delme performansı göstergesi
	Koruyucu topraklama
$n_0$	Ölçüm rölaneti devir sayısı
	Kablosuz veri aktarımı

### 1.4 Uyarı levhaları

**Karot tezgahında, ana plakada veya elmaslı karot makinesinde**

	<p><b>Vakum ana plakasında</b></p> <p><b>Üst resim yanısı:</b> Vakum sabitlemeli yatay delikler için karot tezgahı, ilave güvenlik tertibatı olmadan kullanılmamalıdır.</p> <p><b>Alt resim yanısı:</b> İlave güvenlik bulunmayan vakumlu sabitleme ile yukarı yönde delme çalışması yapılmasına izin verilmez.</p>
	<p><b>Elmaslı karot makinesinde</b></p> <p>Yukarı doğru çalışma için su toplama sistemi mutlaka bir su emici ile birlikte kullanılmalıdır.</p>
	<p><b>Elmaslı karot makinesinde</b></p> <p>Sadece çalışır durumdaki PRCD ile çalışınız.</p>

### 1.5 Ürün bilgileri

**HILTI** ürünleri profesyonel kullanıcıların kullanımı için öngörülmüştür ve sadece yetkili personel tarafından kullanılabilir ve bakımı yapılabilir. Bu personel, meydana gelebilecek tehlikeler hakkında özel olarak eğitim görmüş olmalıdır. Aletin ve ilgili yardımcı gereçlerin eğitimsiz personel tarafından usulüne uygun olmayan şekilde kullanılması ve amaçları dışında çalıştırılması sonucu tehlikeli durumlar söz konusu olabilir.



2215649

Türkçe 103

Tip tanımı ve seri numarası, tip plakası üzerinde belirtilmiştir.

- Seri numarasını aşağıdaki tabloya aktarınız. Ürün bilgileri acente veya servis merkezini aradığınızda sorulabilir.

### Ürün bilgileri

Elmaslı karot makinesi	DD 120
Nesil	01
Seri no.	

## 1.6 Uygunluk beyanı

Burada tanımlanan ürünün, geçerli yönetmeliklere ve normlara uygun olduğunu kendi sorumluluğumuzda beyan ederiz. Bu dokümantasyonun sonunda uygunluk beyanının bir kopyasını bulabilirsiniz.

Teknik dokümantasyonlar eklidir:

Hilti Entwicklungsgesellschaft mbH | Zulassung Geräte | Hiltistraße 6 | 86916 Kaufering, DE

## 2 Güvenlik

### 2.1 Elektrikli el aletleri için genel güvenlik uyarıları

**⚠ İKAZ Bu elektrikli el aletine yönelik tüm güvenlik uyarılarını, talimatları, resimli açıklamaları ve teknik verileri dikkatlice okuyunuz.** Aşağıdaki talimatlara uyulmaması durumunda elektrik çarpması, yangın ve/veya ağır yaralanmalar söz konusu olabilir.

**Tüm güvenlik uyarılarını ve kullanım talimatlarını muhafaza ediniz.**

Güvenlik uyarılarında kullanılan "Elektrikli el aleti terimi, şebeke işletimli elektrikli el aletleri (şebeke kablosu ile) veya akü işletimli elektrikli el aletleri (şebeke kablosu olmadan) ile ilgilidir.

#### İş yeri güvenliği

- **Çalışma alanınızı temiz ve aydınlık tutunuz.** Düzensiz veya aydınlatma olmayan çalışma alanları kazalara yol açabilir.
- **Yanıcı sıvıların, gazların veya tozların bulunduğu patlama tehlikesi olan yerlerde elektrikli el aleti ile çalışmayınız.** Elektrikli el aletleri, toz veya buharı yakabilecek kıvılcık oluşturur.
- **Elektrikli el aletini kullanırken çocukları ve diğer kişileri uzak tutunuz.** Dikkatiniz dağılırsa aletin kontrolünü kaybedebilirsiniz.

#### Elektrik güvenliği

- **Elektrikli el aletinin bağlantı fişi prize uygun olmalıdır. Fiş hiçbir şekilde değiştirilmemelidir. Adaptör fişini topraklama korumalı elektrikli el aletleri ile birlikte kullanmayınız.** Değiştirilmemiş fişler ve uygun prizler elektrik çarpması riskini azaltır.
- **Borular, radyatörler, fırınlar ve buzdolapları gibi toprağa temas eden üst yüzeylere vücudunuzla temas etmekten kaçınınız.** Vücudunuzun toprakla teması var ise yüksek bir elektrik çarpması riski söz konusudur.
- **Elektrikli el aletini yağmurdan veya ıslaklıktan uzak tutunuz.** Elektrikli el aletine su girmesi, elektrik çarpması riskini artırır.
- **Elektrikli el aletini taşımak, asmak veya fişi prizden çekmek için bağlantı kablosunu kullanım amacı dışında kullanmayınız.** Bağlantı kablosunu sıcaktan, yağdan, keskin kenarlardan ve hareketli parçalardan uzak tutunuz. Hasarlı veya dolanmış bağlantı kabloları elektrik çarpması riskini artırır.
- **Elektrikli bir el aleti ile açık alanda çalışacaksanız, sadece dışarıda kullanımına izin verilen uzatma kabloları kullanınız.** Dış mekanlar için uygun olan uzatma kablolarının kullanılması elektrik çarpması riskini azaltır.
- **Elektrikli el aleti işletiminin nemli ortamda yapılması kaçınılmaz ise bir kaçak akım koruma şalteri kullanınız.** Bir kaçak akım koruma şalterinin kullanımı elektrik çarpması riskini azaltır.

#### Kişilerin güvenliği

- **Dikkatli olunuz, ne yaptığınızda dikkat ediniz ve elektrikli el aleti ile mantıklı bir şekilde çalışınız.** Yorgunsanız veya uyuşturucu, alkol veya ilaç etkisi altında olduğunuzda elektrikli el aleti kullanmayınız. Elektrikli el aletini kullanırken bir anlık dikkatsizlik ciddi yaralanmalara neden olabilir.
- **Kişisel koruyucu donanım ve her zaman bir koruyucu gözlük takınız.** Elektrikli el aletinin türüne ve kullanımına göre toz maskesi, kaymayan güvenlik ayakkabısı, koruyucu kask veya kulaklık gibi kişisel koruyucu donanımların kullanılması yaralanma riskini azaltır.
- **İstem dışı çalışmayı önleyiniz. Güç kaynağına ve/veya aküyü bağlamadan, girişini yapmadan veya taşımadan önce elektrikli el aletinin kapalı olduğundan emin olunuz.** Elektrikli el aletini taşırken parmağınız şalterde ise veya alet açık konumda güç kaynağına takılırsa bu durum kazalara yol açabilir.



- ▶ **Elektrikli el aletini devreye almadan önce ayar aletlerini veya vidalama anahtarlarını çıkartınız.** Dönen bir alet parçasında bulunan bir alet veya anahtar yaralanmalara yol açabilir.
- ▶ **Aşırı bir vücut hareketinden sakınınız. Güvenli bir duruş sağlayınız ve her zaman dengeli tutunuz.** Böylece beklenmedik durumlarda elektrikli el aletini daha iyi kontrol edebilirsiniz.
- ▶ **Uygun kıyafetler giyiniz. Bol kıyafetler giymeyiniz veya takı takmayınız. Saçları, kıyafetleri ve eldivenleri hareket eden parçalardan uzak tutunuz.** Bol kıyafetler, takı veya uzun saçlar hareket eden parçalara takılabilir.
- ▶ **Toz emme ve tutma tertibatları monte edilebiliyorsa bunların bağlı olduğundan ve doğru kullanıldığından emin olunuz.** Bu toz emme tertibatının kullanımı tozdan kaynaklanabilecek tehlikeleri azaltabilir.
- ▶ **Kendi güvenliğinizi riske atmayınız ve elektrikli el aletleri kullanımında son derece tecrübeli olsanız bile ilgili güvenlik kurallarını ihlal etmeyiniz.** Dikkatsiz kullanım saniyeler içerisinde ciddi yaralanmalara neden olabilir.

#### Elektrikli el aletinin kullanımı ve çalıştırılması

- ▶ **Aleti çok fazla zorlamayın. Çalışmanız için uygun olan elektrikli el aletini kullanın.** Uygun elektrikli el aleti ile bildirilen hizmet alanında daha iyi ve güvenli çalışırsınız.
- ▶ **Şalteri bozuk olan elektrikli el aletini kullanmayınız.** Açılıp kapatılmayan bir elektrikli el aleti tehlikelidir ve tamir edilmesi gerekir.
- ▶ **Alet ayarlarını yapmadan, aksesuar parçalarını değiştirmeden veya aleti bir yere koymadan önce fişi prizden ve/veya (çıkartılabilir) aküyü aletten çıkarınız.** Bu önlem, elektrikli el aletinin istem dışı çalışmasını engeller.
- ▶ **Kullanılmayan elektrikli el aletlerini çocukların erişemeyeceği yerde muhafaza edin. Aleti iyi tanımayan veya bu talimatları okumamış kişilere aleti kullanırmayınız.** Elektrikli el aletleri bilgisiz kişiler tarafından kullanılırsa tehlikelidir.
- ▶ **Elektrikli el aletlerinin ve aksesuarlarının bakımını titizlikle yapınız. Hareketli parçaların kusursuz çalıştığı ve sıkışmadığı, parçaların kırılıp kırılmadığı veya hasar görüp görmediği, elektrikli el aleti fonksiyonlarının kısıtlanma durumlarını kontrol ediniz. Hasarlı parçaları aleti kullanmadan önce tamir ettiriniz.** Birçok kazanın nedeni bakımı kötü yapılan elektrikli el aletleridir.
- ▶ **Kesme aletlerini keskin ve temiz tutun.** Özenle bakımı yapılmış keskin bıçak kenarı olan kesme aletleri daha az sıkışır ve kullanımı daha rahattır.
- ▶ **Elektrikli el aletini, aksesuarları, ek aletleri vb. bu talimatlara göre kullanın. Çalışma şartlarını ve yapılacak işi de ayrıca göz önünde bulundurun.** Elektrikli el aletlerinin öngörülen kullanımı dışında kullanılması tehlikeli durumlara yol açabilir.
- ▶ **Tutamağı ve tutamak yüzeylerini daima temiz ve yağ ve gresten arındırılmış durumda tutunuz.** Kaygan tutamaklar ve tutamak yüzeyleri güvenli bir kullanımı ve öngörülemeden durumlarda elektrikli el aletinin kontrolünü engeller.

#### Servis

- ▶ **Elektrikli el aletinizi sadece kalifiye uzman personele ve sadece orijinal yedek parçalar ile tamir ettiriniz.** Böylece elektrikli el aletinin güvenliğinin korunduğundan emin olunuz.

## 2.2 Karot makineleri için güvenlik uyarıları

- ▶ **Su gerektiren delme çalışmaları sırasında, suyu çalışma sahasında biriktirmeyiniz veya bir su çekme tertibatı kullanınız.** Bu gibi önlemler sayesinde çalışma sahasını kuru tutabilir ve elektrik çarpması riskini azaltabilirsiniz.
- ▶ **Elektrikli el aletini, kesme aletinin gizli akım hatlarına veya dahili bağlantı kablosuna temas edebileceği durumlarda sadece izole tutamaklarından tutunuz.** Kesme aletinin akım ileten hatlarla temas etmesi durumunda, elektrikli el aletinin metal parçaları da gerilim altında kalır ve elektrik çarpmasına neden olabilir.
- ▶ **Elmaslı delme sırasında bir koruyucu kulaklık takınız.** Aşırı sestten dolayı duyma kaybı meydana gelebilir.
- ▶ **Ek alet bloke olursa, daha fazla zorlamayınız ve aleti kapatınız.** Sıkışma yerini kontrol ediniz ve ek aletin sıkışma nedenini gideriniz.
- ▶ **Bir zeminin içinde bulunan karot makinesini tekrar çalıştırmak istediğinizde, aleti açmadan önce ek aletin rahat hareket edip etmediğini kontrol ediniz.** Ek alet sıkışmışsa, muhtemelen dönmeyiz ve bu durum aletin aşırı yüklenmesine neden olabilir veya karot makinesinin zeminden ayrılması söz konusu olabilir.
- ▶ **Dübel ve civatalar yardımıyla karot tezgahının zemine sabitlenmesi sırasında, kullanılan ankrajın doğru konumda olmasına ve makineyi kullanım sırasında güvenli şekilde sabit tutmasına dikkat edilmelidir.** Zemin dirençli değilse veya gözenekli bir yapıya sahipse dübel dışarı çıkabilir ve karot tezgahı zeminden ayrılabilir.



- ▶ **Karot tezgahının zemine vakum plakası ile sabitlenmesi sırasında yüzeyin düz, temiz ve gözeneksiz olmasına dikkat edilmelidir. Karot tezgahını lamine yüzeylere sabitlemeyiniz, örneğin fayans ve kompozit malzemeler için kaplamalar.** Zemin yüzeyi pürüzsüz, düz veya yeterli sabitleme imkanına sahip değilse vakum plakası zeminden ayrılabilir.
- ▶ **Delme işleminden önce ve sırasında vakum etkisinin yeterli olduğundan emin olunuz.** Vakum gücü yeterli değilse vakum plakası zeminden ayrılabilir.
- ▶ **Makine sadece vakum plakası ile sabitlenmiş baş hizasının üzerinde delme ve duvara delme çalışmaları yapmayınız.** Vakum kaybı durumunda vakum plakası zeminden ayrılır.
- ▶ **Duvar veya tavanda delme çalışmaları sırasında, kişilerin ve çalışma sahasının emniyete alındığından emin olunuz.** Karot ucu delikten dışarı çıkabilir ve çekirdek diğer tarafa düşebilir.
- ▶ **Baş hizasının üzerindeki delme çalışmaları sırasında daima kullanım kılavuzunda öngörülen su emme tertibatını kullanınız. Aletin içine su girmemesine özen gösteriniz.** Elektrikli el aletine su girmesi, elektrik çarpması riskini artırır.

### 2.3 Ek güvenlik uyarıları

#### Kişilerin güvenliği

- ▶ **Alette onarımlara veya değişikliklere izin verilmez.**
- ▶ **Bu alet gözetim altında olmayan yetersiz güçteki kişiler için uygun değildir.**
- ▶ Aleti çocuklardan uzak tutunuz.
- ▶ **Dönen parçalara temas etmekten kaçınınız. Aleti çalışma alanında çalıştırmaya başlayınız.** Dönen parçalara, özellikle dönen aletlere temas etmek yaralanmalara yol açabilir.
- ▶ **Sondaj çamurunun cilde temas etmesini önleyiniz.**
- ▶ Kurşun içeren boyalar gibi malzemelerin tozu, bazı ahşap türleri, kuvars içeren beton / duvar / taşlar, mineraller ve metaller sağlığa zarar verebilir. Tozlara dokunulması veya tozların solunması, kullanıcıda veya yakınında bulunan kişilerde alerjik reaksiyonlara ve/veya solunum yolu hastalıklarına yol açabilir. Kayın veya meşe ağacı gibi belli tür tozlar özellikle ahşap işlemede ek maddelerle (kromat, ahşap koruyucu malzemeler) bağlantılı çalışıldığında kanser yapıcı olarak kabul edilir. Asbest içeren malzemeler sadece uzman kişiler tarafından işlenebilir. Mümkünse etkili bir toz emme sistemi kullanılmalıdır. Bu elektrikli el aletinde belirlenmiş olan ahşap ve/veya mineral tozu için **Hilti** tarafından tavsiye edilen uygun bir mobil toz giderici kullanınız. Çalışma yerinin iyi havalandırılmasını sağlayınız. İlgili toz türüne uygun bir solunum koruma maskesinin takılması önerilir. İşlenecek malzemeler için ülkenizde geçerli olan talimatlara dikkat ediniz.
- ▶ Elmaslı karot makinesi ve elmas karot ucu ağırdır. Vücut kısımları sıkışabilir. **Aletin kullanımı esnasında kullanıcı ve çevresinde bulunan kişiler uygun bir koruyucu gözlük, koruyucu kask, kulaklık, koruyucu eldiven ve koruyucu ayakkabı kullanılmalıdır.**

#### Elektrikli el aletleri ile dikkatli çalışılması ve aletin doğru kullanılması

- ▶ **Aletin karot tezgahına doğru sabitlendiğinden emin olunuz.**
- ▶ **Karot tezgahına her zaman bir dayanak noktası monte edileceğine dikkat edilmelidir, aksi takdirde güvenliğe yönelik dayanak noktası fonksiyonu kullanılamaz.**
- ▶ **Ek aletlerin, alet bağlantı yeri sistemine uygun bir şekilde takıldığından ve kilitlendiğinden emin olunuz.**

#### Elektrik güvenliği

- ▶ **Çok prizli uzatma kablosu ve birçok aletin aynı anda çalıştırılmasından kaçınılmalıdır.**
- ▶ **Bu alet sadece koruma hattı olan ve yeterli boyuttaki şebekelerde çalıştırılabilir.**
- ▶ **Çalışmaya başlamadan önce çalışma alanında üzerleri kaplanmış olan elektrik hatları, gaz ve su borularını örn. bir metal dedektörü ile kontrol ediniz.** Yanlışlıkla bir akım hattına zarar vermeniz durumunda, aletin dışarıda yer alan metal parçaları gerilim yüklü hale gelebilir. Bu durumda ciddi bir elektrik çarpması tehlikesi söz konusudur.
- ▶ **Şebeke kablosunun taşıyıcı ilerlemesinde hasar görmemesine dikkat ediniz.**
- ▶ **Aleti asla birlikte teslim edilen PRCD olmadan kullanmayınız (PRCD olmayan aletler için ayırma trafosu olmadan). Her kullanımdan önce PRCD'yi kontrol ediniz.**
- ▶ **Aletin bağlantı hatlarını düzenli olarak kontrol ediniz ve hasar durumunda bunu yetkili bir uzmana değiştiriniz.** Elektrikli el aletinin bağlantı hattı hasar gördüğünde, bu hat müşteri hizmetleri organizasyonundan elde edebileceğiniz özel üretilmiş ve yasal olarak kullanım iznine sahip bir bağlantı hattı ile değiştirilmelidir. Uzatma hatlarını düzenli olarak kontrol ediniz ve hasar görmüş ise değiştiriniz. Çalışma esnasında şebeke veya uzatma kablosu hasar görürse, bu kabloya dokunmamalısınız. **Şebeke fişini prizden çekiniz.** Hasarlı bağlantı ve uzatma kabloları elektrik çarpması nedeniyle tehlike oluşturmaz.





- ▶ **Aleti asla kirlı veya ıslak durumda alıřtırmayınız.** Alet st yzeyindeki toz, zellikle iletken malzeme veya nem, uygunsuz kullanımlar sonucu elektrik arpmasına yol aabilir. Bu yzden zellikle iletken malzemelerin sık iřlenmesi durumunda kirlenen aletleri dzenli aralıklarla **Hilti** servisine kontrol ettiriniz.

### alıřma yeri

- ▶ **Delme iřlerini inřaat blmne onaylatınız.** Binalardaki ve diđer yapılardaki delme iřleri, zellikle beton demiri ve tařıyıcı elemanların kesilmesinde statik etki edebilir.
- ▶ **Karot tezgahına monte edilen aleti, karot tezgahı usulne uygun řekilde sabitlememiřse, her zaman en alt kademeye getiriniz ve bu sayede olası devrilmeleri engelleyiniz.**
- ▶ **řebeke ve uzatma kablosunu, emme ve vakum hortumunu dnen paralardan uzak tutunuz.**
- ▶ **Yukarı dođru alıřma iin ıslak delmelerde su toplama sistemi mutlaka bir su emici ile birlikte kullanılmalıdır.**
- ▶ **Yukarı ynde alıřmalar sırasında, ilave sabitleme olmadan vakumlu sabitleme yapılması yasaktır.**
- ▶ **Vakum sabitlemeli (aksesuar) yatay delikler iin karot tezgahı, ilave gvenlik tertibatı olmadan kullanılmamalıdır.**

## 3 Tanımlama

### 3.1 Usulne uygun kullanım

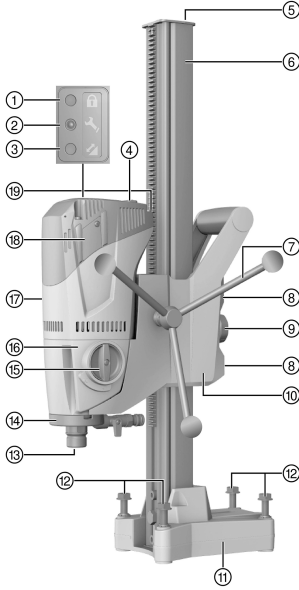
Aıklanan rn elektrik iřletimli elmaslı karot makinesidir. Bu rn (takviyeli) mineral zeminlere ynelik tezgahlı ıslak delme (geiř delikleri ve kr delikler) alıřmaları iin ngrlmřtr. **Elmaslı karot makinesinin elle kumanda edilmesine izin verilmez.**

Tanımlanan rn profesyonel kullanıcılar iin ngrlmřtr ve sadece yetkili personel tarafından kullanılabilir ve bakımı yapılabilir. Bu personel, meydana gelebilecek tehlikeler hakkında zel olarak eđitim grmř olmalıdır. Aletin ve ilgili yardımcı gerelerin eđitimsiz personel tarafından usulne uygun olmayan řekilde kullanılması veya amaları dıřında alıřtırılması sonucu tehlikeli durumlar sz konusu olabilir.

- ▶ Elmaslı karot makinesi uygulamalarında her zaman bir karot tezgahı kullanılmalıdır. Karot tezgahı, dbel veya vakumlu ana plaka aracılıđıyla yeterli dzeyde zemine gmlmř olmalıdır.
- ▶ Ana plakadaki ayar iřleri iin kırıcı alet (ekici) kullanmayınız.
- ▶ alıřma sadece tip plakasında verilen řebeke gerilimi ve frekansta gerekleřmelidir.
- ▶ Ulusal iř gvenliđi gereksinimlerini dikkate alınız.
- ▶ Kullanılan aksesuarların gvenlik ve kullanım uyarılarına da uyunuz.
- ▶ Yaralanma tehlikelerini nlemek iin sadece orijinal **Hilti** aksesuarlarını ve karot ularını kullanınız.



### 3.2 Alet parçaları ve kumanda elemanları 1



#### Karot Makinesi DD 120

- ① Hırsızlığa karşı koruma göstergesi (opsiyonel)
- ② Servis göstergesi
- ③ Delme performansı göstergesi
- ④ Açma/kapatma şalteri
- ⑤ Emniyet halkası
- ⑥ Ray
- ⑦ Çevirme kolu
- ⑧ Taşıyıcı ayar vidası (4x)
- ⑨ Taşıyıcı kilidi
- ⑩ Taşıyıcı
- ⑪ Dübel tablası
- ⑫ Terazileme vidaları (4x)
- ⑬ Alet bağlantı yeri
- ⑭ Su çıkışı
- ⑮ Şanzıman şalteri
- ⑯ Şanzıman
- ⑰ Motor
- ⑱ Kömür kapağı
- ⑲ PRCD dahil şebeke kablosu

#### 3.2.1 Vakum ana plakası (aksesuar) 2

- ⑳ Tespit mili
- ㉑ Vakum bağlantısı
- ㉒ Manometre
- ㉓ Vakum boşaltma valfi
- ㉔ Vakum contası

#### 3.2.2 Sabitleme 3

- ㉕ Tespit mili
- ㉖ Dübel
- ㉗ Tespit mili somunu

#### 3.2.3 Su toplama sistemi 4

- ㉘ Su tutucusu
- ㉙ Su toplama ünitesi

### 3.3 Servis göstergesi

Üründe ışık sinyalli bir servis göstergesi mevcuttur.

### 3.4 Teslimat kapsamı

Elmaslı karot makinesi, Çevirme kolu, Kullanım kılavuzu.

Karot tezgahı ayrı olarak teslim edilir. Ürünleriniz için izin verilen diğer sistem ürünlerini **Hilti Store** veya şu adreste bulabilirsiniz: [www.hilti.group](http://www.hilti.group).

### 3.5 Bir jeneratör veya transformatörün kullanılması

Aşağıdaki şartların sağlanması halinde bu alet bir jeneratör veya müşteri tarafındaki bir transformatör ile çalıştırılabilir: Watt cinsinden çıkış gücü aletin tip plakasındaki maksimum gücün en az iki katı olmalıdır, çalışma gerilimi her zaman nominal gerilime göre +%5 ve %-15 aralığında olmalıdır ve frekans 50 ile 60 Hz arasında olmalıdır, kesinlikle 65 Hz üzerine çıkmamalıdır ve çalıştırma takviyeli otomatik bir gerilim regülatörü bulunmalıdır.





Başka aletlerin açılması ve kapatılması, alete zarar verebilecek düşük gerilime veya aşırı gerilime sebep olabilir.

## 4 Teknik veriler

### 4.1 Teknik veriler

<b>Ağırlık (kızak 600 mm), EPTA Prosedür 01 uyarınca</b>	9,8 kg
<b>İzin verilen maksimum su hattı basıncı</b>	6 bar
<b>1. vites ölçüm rölantı devir sayısı</b>	740 dev/dak
<b>2. vites ölçüm rölantı devir sayısı</b>	1.580 dev/dak
<b>Kısa kızaklı karot tezgahı boyutları (U x G x Y)</b>	330 mm x 147 mm x 600 mm
<b>Orta kızaklı karot tezgahı boyutları (U x G x Y)</b>	330 mm x 147 mm x 720 mm
<b>Uzun kızaklı karot tezgahı boyutları (U x G x Y)</b>	330 mm x 147 mm x 830 mm
<b>Koruma sınıfı</b>	Koruma sınıfı I (topraklama zorunlu)

### 4.2 Vitesler ve ilgili karot ucu çapları



\*Aletinizin delme çapı için tip plakasına bakınız.

Az takviye demirli betonlarda, daha yüksek bir delme kapasitesine erişmek için ikinci hız  $\varnothing$  82 mm'ye (3 1/2 inç) kadar kullanılabilir.

Hız	Karot ucu çapı	Rölantı devir sayısı
1	57 ... 132 (*162) mm	740 dev/dak
2	16 ... 52 mm	1.580 dev/dak

### 4.3 EN 62841 uyarınca ses bilgisi ve titreşim değerleri

Bu talimatlarda belirtilen ses basıncı ve titreşim değerleri, ilgili normlara uygun bir ölçüm metodu ile ölçülmüştür ve elektrikli el aletlerinin birbirleri ile karşılaştırılması için kullanılabilir. Zorlanmaların geçici olarak değerlendirilmesine de uygundur.

Belirtilen değerler, elektrikli el aletinin ana kullanım alanlarını temsil eder. Elektrikli el aletinin, farklı ek aletlerle veya yetersiz bakım yapılmış şekilde kullanılması durumunda, veriler sapma gösterebilir. Bu durum, toplam çalışma süresi boyunca zorlanmayı belirgin şekilde yükseltebilir.

Doğru bir zorlanma değerlendirmesi için aletin kapatıldığı veya çalışır konumda olduğu ve ayrıca kullanımda olmadığı zamanlar da dikkate alınmalıdır. Bu durum, toplam çalışma süresi boyunca zorlanmayı belirgin şekilde azaltabilir.

Kullanıcıyı ses ve/veya titreşimin etkilerinden koruyacak ek güvenlik önlemleri belirleyiniz, örneğin: Elektrikli el aletinin ve ek aletlerin bakımının yapılması, ellerin sıcak tutulması, iş akışlarının düzenlenmesi.

#### Ses bilgileri

<b>Standart A olarak değerlendirilen ses gücü seviyesi</b>	102 dB
<b>Standart A olarak değerlendirilen emisyon ses basıncı seviyesi</b>	89 dB
<b>Belirlenen ses basıncı seviyesi için emniyetsizlik</b>	3 dB

#### Vibrasyon değerleri

<b>Betonda delme (ıslak), <math>a_n</math></b>	2,5 m/sn <sup>2</sup>
<b>Emniyetsizlik (K)</b>	1,5 m/sn <sup>2</sup>



## 5 Çalışma hazırlığı

### ⚠ İKAZ

**Yaralanma tehlikesi!** Karot tezgahı sabitlemenin yetersiz olması durumunda dönebilir veya devrilebilir.

- ▶ Karot makinesini kullanmadan önce karot tezgahını işlem yapılacak zemine dübel veya vakum ana plakası ile sabitleyiniz.
- ▶ Sadece, mevcut zemin için uygun dübeller kullanınız ve dübel üreticisinin montaj bilgilerini de dikkate alınız.
- ▶ Vakum ana plakasını, sadece mevcut zeminin karot tezgahını vakumla sabitlemek için uygun olması halinde kullanınız.

### 5.1 Çevirme kolunun elmaslı karot makinesine monte edilmesi 4

1. Kopilyayı çıkartınız ve çevirme kolunun aksın üzerine geçiriniz.
2. Çevirme kolunu kopilya ile emniyete alınız.



Çevirme kolu, taşıyıcının her iki tarafına da yerleştirilebilir.

### 5.2 Elmaslı karot makinesinin karot tezgahına sabitlenmesi 5

### ⚠ DİKKAT

**Yaralanma tehlikesi** Elmaslı karot makinesinin beklenmeyen şekilde harekete geçmesi nedeniyle tehlike.

- ▶ Elmaslı karot makinesi donanım çalışmaları sırasında şebekeye bağlı olmamalıdır.

1. İçten altı köşeli anahtar ile iç tarafta bulunan vidayı çözünüz.
2. Kızaktaki uç dayanağını çıkartınız.
3. Döner düğmeyi tamamen açarak kızak kilidini açınız.
4. Elmaslı karot makinesini öngörülen açıklık üzerinden kızak üzerine yerleştiriniz.
5. Elmaslı karot makinesini tamamen kızak üzerinde hareket ettirebilmek için çevirme kolunu kullanınız.
6. Taşıyıcı kilidi tamamen kapatarak elmaslı karot makinesini kilitleyiniz.
7. Çevirme kolundan hafifçe çevirerek elmaslı karot makinesinin güvenli bir biçimde sabitlenip sabitlenmediğini kontrol ediniz.
8. Uç dayanağını kızağa monte ediniz ve güvenli bir şekilde sabitlenip sabitlenmediğini kontrol ediniz.



Taşıyıcı boşluğu kontrol ediniz ve gerekirse ayarlayınız. → Sayfa 116

### 5.3 Karot tezgahının dübelle sabitlenmesi 6

### ⚠ İKAZ

**Yanlış dübel kullanımı nedeniyle yaralanma tehlikesi!** Alet yerinden çıkabilir ve hasarlara neden olabilir.

- ▶ Mevcut zemin için uygun dübeli kullanınız ve dübel üreticisinin montaj talimatlarını dikkate alınız.



**Hilti** metal genleşme dübelleri M12 çatlak bulunmayan beton zeminlerdeki elmas uçlu delme ekipmanlarının sabitlenmesi için uygundur. Buna karşılık bazı koşullar altında alternatif bir sabitleme de gerekli olabilir. Güvenli bir sabitlemeye yönelik sorularınız için **Hilti** teknik servisi ile irtibat kurunuz.

1. Zemin için uygun dübelleri delik merkezine 203 mm (8 inç) mesafede takınız.
2. Tespit milini dübele vidalayınız.
3. Ana plaka zemin ile aynı hizada olana kadar tüm terazileme vidalarını geri çeviriniz.
4. Karot tezgahını tespit mili üzerinden yerleştiriniz ve karot tezgahını hizalayınız.
5. Tespit mili somununu tespit miline, çok fazla sıkmadan vidalayınız.
6. 4 adet terazileme vidası ile ana plakayı terazileyiniz.



Tüm terazileme vidaları zeminde sabit bulunmalıdır.

7. Karot tezgahını tespit mili somunu ve bir açık ağızlı anahtar (SW 19) ile sabitleyiniz.



8. Karot tezgahının güvenli biçimde sabitlenip sabitlenmediğini kontrol ediniz.

#### 5.4 Karot tezgahının vakumlu ana plaka (aksesuar) ile sabitlenmesi

##### TEHLİKE

##### Aşağı düşen elmaslı karot makinesi nedeniyle yaralanma tehlikesi !

- ▶ Karot tezgahının tavana sadece vakumlu sabitleme ile sabitlenmesine izin verilmez. Ağır bir yapı desteği ile veya vidalı mil ile ilave bir sabitleme yapılmalıdır.

##### İKAZ

##### Eksik basınç kontrolünde yaralanma tehlikesi !

- ▶ Delme işleminden önce ve esnasında manometredeki ibrenin yeşil alanda olduğundan emin olunmalıdır.



Seçilen karot ucunun vakum plakasına zarar vermediğinden emin olunuz.

Karot tezgahının konumlandırılmasından önce, montaj ve kullanım için yeterli alan olduğundan emin olunuz.

Vakumlu sabitleme sadece çapı  $\leq 300$  mm ( $\leq 12$  inç) olan karot uçlarının kullanımı için ve mesafe parçası kullanılmadan kullanılmalıdır.

1. Delik merkezinden, elmaslı karot makinesinin konumlandırılacağı yere doğru yakl. 800 mm (31.5 inç) uzunluğunda bir oryantasyon çizgisi çekiniz.
2. Delik merkezinden 203 mm (8 inç) mesafede oryantasyon çizgisine dikey bir işaretleme çizgisi çekiniz.
3. Dübél tablası zemin ile aynı hizada olana kadar tüm terazileme vidalarını geri çeviriniz.
4. Karot tezgahını mil üzerinden vakum ana plakasına yerleştiriniz.
  - ↳ Dübél tablası vakum ana plakasının uç dayanaklarına bitişik şekilde bulunmaktadır.
5. Karot tezgahını tespit mili somunu ve bir açık ağızlı anahtar SW 19 ile sabitleyiniz.
6. Vakum ana plakasının vakum bağlantısını vakum pompasına bağlayınız.
7. Vakum pompasını açınız ve vakum ana plakasını zemine karşı bastırınız.
8. Elmaslı karot makinesini hizalamak için vakum boşaltma valfine bastırınız ve basılı tutunuz.



Hizalamak için dübél tablası üzerindeki işaretlemeyi ve işaretleme çizgisini kullanınız.

9. Vakum boşaltma valfini serbest bırakınız ve vakum ana plakasını zemine karşı bastırınız.
10. Karot tezgahının güvenli biçimde sabitlenip sabitlenmediğini kontrol ediniz.
11. Gerekirse elmaslı karot makinesini 4 terazileme vidası ile terazileyiniz.

#### 5.5 Su bağlantısı (aksesuar) kurulumunun yapılması

##### DİKKAT

**Usulüne uygun olmayan kullanım nedeniyle tehlike!** Usulüne uygun olmayan kullanımda hortum hasar görebilir.

- ▶ Hortumları hasara karşı düzenli olarak kontrol ediniz ve izin verilen maksimum su hattı basıncının 6 bar değerinden fazla olmadığından emin olunuz.
- ▶ Hortumun dönen parçalara temas etmemesine dikkat ediniz.
- ▶ Hortumun taşıyıcı ilerlemesinde hasar görmemesine dikkat ediniz.
- ▶ Maksimum su sıcaklığı: 40°C.
- ▶ Bağlanan su sisteminin sızdırmazlığını kontrol ediniz.



Bileşenlerin hasar görmesini önlemek için sadece temiz su veya tortu parçacığı olmayan su kullanınız. Aksesuar olarak alet ile su besleme hattı arasına bir akış göstergesi monte edilebilir.

1. Elmaslı karot makinesinin su regülatörünü kapatınız.
2. Su beslemesi bağlantısını kurunuz (hortum bağlantısı).



2215649

Türkçe

111

**5.6 Su toplama sisteminin (aksesuar) monte edilmesi 6****İKAZ**

**Elektrik çarpması tehlikesi!** Emiş arızalı olduğunda motor ve muhafaza üzerinden su akabilir!

► Emme artık çalışmıyorsa çalışmayı derhal bırakınız.

**DİKKAT**

**Yaralanma tehlikesi!** Ürünün yanlışlıkla çalışmaya başlaması.

► Aletin ayarlarını yapmadan veya aksesuar parçalarını değiştirmeden önce şebeke fişini çekin.



Delikler yukarıya doğru olduğunda elmaslı karot makinesi tavana 90° açıyla durmalıdır. Su toplama sisteminin su toplama sızdırmazlık rondelası, elmas karot ucunun çapına ayarlanmış olmalıdır.

Su toplama sistemini kullanarak su akışını yönlendirebilirsiniz ve bununla çevrenin kirlenmesini önlersiniz.

1. Karot tezgahındaki vidayı çıkartınız.
2. Su toplama tutucusunu vida ile karot tezgahına monte ediniz.
3. Su toplama ünitesini, monte edilen conta ve su toplama sızdırmazlık rondelası ile birlikte su toplama tutucusunun hareketli iki kolu arasında yerleştiriniz.
4. Su toplama ünitesini su toplama tutucusundaki iki vida ile tabana bağlayınız.
5. Su toplama ünitesine bir ıslak emme tertibatı bağlayınız veya su akışının gerçekleşebileceği bir hortum bağlantısı oluşturunuz.

**5.7 Elmas karot ucunun takılması (BI+ alet bağlantı yeri) 7****TEHLİKE**

**Yaralanma tehlikesi** İşlenen parçanın kırılmış kısımları veya kırılmış ek aletler sıçrayabilir ve doğrudan çalışma alanının dışında da yaralanmalara sebep olabilir.

► Hasarlı ek aletleri kullanmayınız. Her kullanımdan önce aletleri çatlak, yırtık, aşınma veya yoğun yıpranma bakımından kontrol ediniz.

**DİKKAT**

**Yaralanma tehlikesi!** Ürünün yanlışlıkla çalışmaya başlaması.

► Aletin ayarlarını yapmadan veya aksesuar parçalarını değiştirmeden önce şebeke fişini çekin.



Kesme performansı veya delme işleminin ilerleyişi belirgin biçimde azaldığında elmas karot uçları değiştirilmelidir. Genellikle elmas bölümlerin yüksekliği 2 mm'nin (1/16 inç) altına düştüğünde böyle bir durumdan söz edilebilir.

C-Rod, A-Rod, M27 ve BR alet bağlantı yerlerine bir açık ağızlı anahtar SW 27 ile basılır.

1. Taşyıcı kilidi tamamen kapatarak elmaslı karot makinesini kilitleyiniz.
2. Alet bağlantı yerini (BI+) açık kısırcacın sembolü yönüne çevirerek açınız.
3. Elmas karot ucunun bağlantı sistemini alttan, elmaslı karot makinesi alet bağlantı yerinin dışlarına takınız.
4. Alet bağlantı yerini, kapalı klipsler sembolü yönünde döndürerek kapatınız.
5. Elmas karot ucunun alet bağlantı yerine oturup oturmadığını kontrol ediniz.

**5.8 Devir sayısının seçilmesi 8****DİKKAT**

**Aşınma tehlikesi** Dişli kutusu hasarı tehlikesi

► Çalışma sırasında devreye almayınız. Milin durmasını bekleyiniz.

1. Kullandığınız karot ucu çapına uygun şalter konumu seçiniz.
2. Şalteri, aynı zamanda karot ucunu elle döndürerek, tavsiye edilen konuma çeviriniz.



## 5.9 Elmas karot ucunun çıkartılması (BI+ alet bağlantı yeri)

### ⚠ TEHLİKE

**Yaralanma tehlikesi** İşlenen parçanın kırılmış kısımları veya kırılmış ek aletler sıçrayabilir ve doğrudan çalışma alanının dışında da yaralanmalara sebep olabilir.

- ▶ Hasarlı ek aletleri kullanmayınız. Her kullanımdan önce aletleri çatlak, yırtık, aşınma veya yoğun yıpranma bakımından kontrol ediniz.

### ⚠ DİKKAT

**Yaralanma tehlikesi!** Ürünün yanlışlıkla çalışmaya başlaması.

- ▶ Aletin ayarlarını yapmadan veya aksesuar parçalarını değiştirmeden önce şebeke fişini çekin.



C-Rod, A-Rod, M27 ve BR alet bağlantı yerlerinde alet millerini bir açık ağızlı anahtar SW 27 ile kilitleyiniz ve karot ucunu uygun bir açık ağızlı anahtar ile çıkartınız.

1. Taşıyıcı kilidi tamamen kapatarak elmaslı karot makinesini kilitleyiniz.
2. Alet bağlantı yerini (BI+) açık kısımcının sembolü yönüne çevirerek açınız.
3. Kumanda kovanını ok yönüne alete doğru çekerek karot ucunu çözdünüz.
4. Karot ucunu alet bağlantı yerinden (BI+) çıkartınız.

## 6 Kullanım

### 6.1 Hırsızlık koruması TPS (opsiyonel)

Ürününüz opsiyonel olarak Hırsızlık koruması TPS fonksiyonu ile donatılabilir. Bu durumda sadece ilgili anahtar ile açılabilir ve çalıştırılabilir.

### 6.2 Aletin TPS hırsızlık koruması ile devreye alınması

1. Elmaslı karot makinesinin şebeke fişini prize takınız.
2. PRCD hatalı akım koruma şalterindeki "Reset" tuşuna veya "I" tuşuna basınız.
  - ↳ Sarı hırsızlık koruması lambası yanıp sönüyor.
3. Devreye alma anahtarını doğrudan kilit sembolünün üzerinde tutunuz.
  - ↳ Sarı hırsızlığa karşı koruma lambası söner ve alet devrededir.



Akım beslemesi kesildiğinde ürün yakl. 20 dakika daha kullanılmaya devam edilebilir. Daha uzun süreli kesintilerde hırsızlık koruması devreye alma anahtarını ile yeniden devre dışı bırakılmalıdır.

### 6.3 Kaçak akım koruma şalteri PRCD

1. Elmaslı karot makinesinin şebeke fişini, topraklamalı bir prize takınız.
2. Kaçak akım koruma şalterinde (PRCD) "I" veya "RESET" tuşuna basınız.
  - ↳ Gösterge yanar.
3. Kaçak akım koruma şalterinde (PRCD) "0" veya "TEST" tuşuna basınız.
  - ↳ Gösterge söner.

### ⚠ İKAZ

**Elektrik çarpması nedeniyle yaralanma tehlikesi!** Hatalı akım koruma devresindeki gösterge, 0 ve/veya **TEST** tuşuna basıldığında sönmeye, elmaslı karot makinesi çalıştırılmaya devam edilmemelidir!

- ▶ Elmaslı karot makinesi **Hilti** servisi tarafından onarılmalıdır.

4. Kaçak akım koruma şalterinde (PRCD) "I" veya "RESET" tuşuna basınız.
  - ↳ Gösterge yanar.



**6.4 Elmaslı karot makinesinin ıslak emme tertibatı olmadan çalıştırılması**

1. İstlenen miktarda su akışı olana kadar su regülatörünü yavaşça açınız.



Elmaslı karot makinesi su toplama sistemi ile ve su toplama sistemi olmadan çalıştırılabilir. Su toplama sistemi ile delme suyu bir hortum üzerinden tahliye edilir, su toplama sistemi olmadan kontrolsüz bir şekilde boşalır. Su toplama sistemi ile çalıştırmada, öncelikle su toplama sistemini monte ediniz → Sayfa 112.

Her iki kullanımda deliklerin yukarıya doğru olmasına izin verilmez.

2. Açma/Kapama şalterinin "I" üzerine bastırınız.
3. Taşıyıcı kilidini açınız.
4. Çevirme kolu ile elmas karot ucunu zemine kadar döndürünüz.
5. Delme işlemi başlangıcında, karot ucu merkezlenene kadar sadece yavaşça bastırınız ve ancak bundan sonra basıncı arttırınız.
6. Delme performansı göstergesine dikkat ediniz.



Delme performansı göstergesi başlangıçta turuncu renkte yanar. İdeal delme performansına ulaşıldığında delme performansı göstergesi yeşil yanar. Delme performansı göstergesi kırmızı olduğunda baskı basıncını azaltınız.

**6.5 Elmaslı karot makinesinin ıslak emme tertibatı ile çalıştırılması****İKAZ**

**Elektrik çarpması tehlikesi!** Emiş arızalı olduğunda motor ve muhafaza üzerinden su akabilir!

- Emme artık çalışmıyorsa çalışmayı derhal bırakınız.

1. Su toplama sistemini monte ediniz → Sayfa 112 ve ıslak emme tertibatını bağlayınız.
2. Islak emme tertibatını çalıştırınız, otomatik modu kullanmayınız.
3. İstlenen miktarda su akışı olana kadar su regülatörünü yavaşça açınız.
4. Açma/Kapama şalterinin "I" üzerine bastırınız.
5. Taşıyıcı kilidini açınız.
6. Çevirme kolu ile elmas karot ucunu zemine kadar döndürünüz.
7. Delme işlemi başlangıcında, karot ucu merkezlenene kadar sadece yavaşça bastırınız ve ancak bundan sonra basıncı arttırınız.
8. Delme performansı göstergesine dikkat ediniz.



Delme performansı göstergesi başlangıçta turuncu renkte yanar. İdeal delme performansına ulaşıldığında delme performansı göstergesi yeşil yanar. Delme performansı göstergesi kırmızı olduğunda baskı basıncını azaltınız.

**6.6 Karot ucunun sıkışması sırasındaki çalışma adımları**

Bir sıkışma durumunda önce emniyet debriyajı devreye alınmalıdır. Ardından elektronik motoru kapatır ve kullanıcının manuel müdahalesi olmadan iki kez tekrar devreye sokar. Sıkışmayı çözmek için hiçbir şey yapılmazsa elektronik, motoru 90 saniye için kapatır. Bir sıkışmayı manuel olarak aşağıdaki şekilde çözebilirsiniz:

**6.6.1 Çatal anahtarlı karot ucunun sökülmesi**

1. Şebeke fişini prizden çekiniz.
2. Elmas karot ucunu, giriş ucunun yakınından uygun bir çatal anahtarla tutunuz ve elmas karot ucunu çevirerek çıkartınız.
3. Şebeke fişini prize takınız.
4. Delme işlemine devam ediniz.

**6.6.2 Çevirme kollu karot ucunun sökülmesi**

1. Şebeke fişini prizden çekiniz.
2. Karot ucunu çevirme kolu ile alt zeminden sökünüz.
3. Şebeke fişini prize takınız.
4. Delme işlemine devam ediniz.





## 6.7 Elmaslı karot makinesinin kapatılması 10

### ⚠ İKAZ

**Kişilere ve malzemelere yönelik tehlike** Üste doğru delme işleminde elmas karot ucu su ile dolar. Elmaslı karot makinesi zarar görebilir ve elektrik çarpma tehlikesi artar.

► Delme işlemi sonra erdiğinde ilk yapmanız gereken suyu boşaltmaktır. Bunun için su regülatöründeki su beslemesi ayrılır ve su regülatörü açılarak su boşaltılır. Su, motor ve kapak üzerinden akmamalıdır.

1. Elmaslı karot makinesinin su regülatörünü kapatınız.
2. Elmas karot ucunu delikten çıkartınız.
3. Elmaslı karot makinesini kızak kilidi ile kilitleyiniz.
4. Elmaslı karot makinesini kapatınız.
5. Şayet mevcut ise su emiciyi kapatınız.

## 6.8 Elmaslı karot makinesinin sökülmesi

1. Şebeke fişini prizden çekiniz.
2. Karot ucunu çıkartmak için, bkz. Bölüm "Elmas karot ucunun çıkartılması" → Sayfa 113.
3. Gerekirse karot ucunu çıkartınız.
4. Elmaslı karot makinesini zeminden sökünüz.



Sistemi bir parçada sökmek isterseniz aletin kapatıldıktan sonra kızakta, karot ucunu zemine temas edene kadar, tamamen aşağıya doğru alınması önerilir. Böylece elmaslı karot makinesinin düşmesi önlenir.

## 7 Bakım ve onarım

### 7.1 Bakım ve onarım

### ⚠ İKAZ

**Elektrik çarpması tehlikesi!** Şebeke fişi takılıyken yapılan bakım ve onarım çalışmaları ciddi yaralanmalara ve yanıklara neden olabilir.

► Tüm bakım ve onarım çalışmalarından önce her zaman şebeke fişi çekilmelidir!

#### Bakım

- Yapışmış olan kir dikkatlice çıkarılmalıdır.
- Havalandırma deliklerini kuru bir fırça ile dikkatlice temizleyiniz.
- Gövde sadece hafif nemli bir bezle temizlenmelidir. Plastik parçalara yapışabileceğinden silikon içerikli bakım maddeleri kullanılmamalıdır.

#### Onarım

### ⚠ İKAZ

**Elektrik çarpması tehlikesi!** Elektrikli parçalarda usulüne uygun olmayan onarımlar ciddi yaralanmalara ve yanıklara neden olabilir.

► Elektrik parçalarındaki onarımlar sadece elektronik uzmanı tarafından yapılabilir.

- Görünür tüm parçalarda hasar olup olmadığı ve kumanda elemanlarının sorunsuz şekilde çalıştığı kontrol edilmelidir.
- Hasar ve/veya fonksiyon arızaları durumunda ürün çalıştırılmamalıdır. Derhal **Hilti** servisi tarafından onarılmalıdır.
- Bakım ve onarım çalışmalarından sonra tüm koruma tertibatları yerleştirilmeli ve fonksiyonları kontrol edilmelidir.



Güvenli çalışma için sadece orijinal yedek parçalar ve sarf malzemeleri kullanınız. Tarafımızdan onaylanmış, yedek parçaları, aksesuarları ve sarf malzemelerini **Hilti Store** veya adresinde bulabilirsiniz. [www.hilti.group](http://www.hilti.group).



## 7.2 Taşıyıcı ve ray arasındaki boşluğun ayarlanması

1. Taşıyıcı boşluğu ayar vidalarını içten altıgen bir anahtar ile sıkınız.

### Teknik veriler

Sıkma torku	5 Nm
-------------	------

2. Ayar civatalarını 1/4 tur gevşetiniz.
3. Taşıyıcı, eğer elmas karot ucu olmadan yerinde kalıyorsa ve elmas karot ucu ile alta doğru gidiyorsa, doğru ayarlanmıştır.

## 7.3 Kömür fırçalar değiştirilmelidir

### İKAZ

#### Elektrik çarpması nedeniyle yaralanma tehlikesi !

- ▶ Aletin bakımı ve onarımı sadece yetkili personel tarafından yapılmalıdır! Bu personel meydana gelebilecek tehlikeler hakkında özel olarak eğitim görmüş olmalıdır.

### İKAZ

#### Elektrik çarpması tehlikesi! Şebeke fişi takılıyken yapılan bakım ve onarım çalışmaları ciddi yaralanmalara ve yanıklara neden olabilir.

- ▶ Tüm bakım ve onarım çalışmalarından önce her zaman şebeke fişi çekilmelidir!

1. Motorun sol ve sağındaki kömür kapaklarını açınız.
2. **Kömür fırçalarının nasıl takılı olduğuna ve kablolarının nasıl döşenmiş olduğuna dikkat ediniz.** Kullanılmış kömür fırçalarını elmaslı karot makinesinden çıkartınız.
3. Yeni kömür fırçalarını, eski kömür fırçalarının daha önce takılı olduğu yerlere takınız.



Yerleştirirken kablo izolasyonunun hasar görmemesine dikkat ediniz.

4. Motorun sol ve sağındaki kömür kapaklarını vidalayınız.
5. Kömür fırçalarla boş çalışmada en az 1 dakika kesintisiz olarak rodaj yapınız.
  - ↳ Sinyal lambası yakl. 1 dakikalık çalışma süresinden sonra söner.

## 8 Taşınması ve depolanması

### Taşıma

- ▶ Bu ürünü bir el aleti takılıyken taşımayınız.
- ▶ Taşıma esnasında güvenli bir şekilde durmasına dikkat ediniz.
- ▶ Görünür tüm parçalarda hasar olup olmadığını ve kumanda elemanlarının sorunsuz şekilde çalışıp çalışmadığını her taşımadan sonra kontrol ediniz.

### Depolama

- ▶ Bu ürünü daima şebeke fişi çekili olarak depolayınız.
- ▶ Bu ürünü kuru ve çocuklar ile yetkisiz kişilerin erişemeyeceği yerlerde muhafaza ediniz.
- ▶ Görünür tüm parçalarda hasar olup olmadığını ve kumanda elemanlarının sorunsuz şekilde çalışıp çalışmadığını uzun süreli depolamadan sonra kontrol ediniz.

### 8.1 Elmaslı karot makinesinin taşınması

### İKAZ

#### Yaralanma tehlikesi! Münferit parçalar çözülebilir ve aşağı düşebilir.

- ▶ Elmaslı karot makinesi ve/veya karot tezgahını bir vince asmayınız.
- ▶ Elmaslı karot makinesini, karot tezgahını ve karot ucunu birbirinden ayrılmış olarak taşıyınız.
  - ↳ Nakliye kolaylaştırmak için şaseyi (aksesuar) sökünüz.
- ▶ Elmaslı karot makinesini depolamadan önce su regülatörünü açınız.



## 9 Arıza durumunda yardım

- Bu tabloda listelenmemiş veya kendi başınıza gideremediğiniz arızalarda lütfen yetkili **Hilti** servisimiz ile irtibat kurunuz.

### 9.1 Elmaslı karot makinesi çalışmaya hazır değildir

Arıza	Olası sebepler	Çözüm
<p>Servis göstergesinde görüntü yok.</p>	PRCD açılmadı.	► PRCD'nin çalışıp çalışmadığını kontrol ediniz ve PRCD'yi açınız.
	Şebeke elektriği kesik.	► Başka bir elektrikli alet takınız ve çalışıp çalışmadığını kontrol ediniz. ► Priz bağlantılarını, şebeke kablosunu, akım hattını ve şebeke sigortasını kontrol ediniz.
	Açma/Kapatma şalteri bozuk.	► Aleti Hilti servisine tamir ettiriniz.
	Elektronik arızalı.	► Aleti Hilti servisine tamir ettiriniz.
	Motorda su.	► Elmaslı karot makinesini sıcak ve kuru bir ortamda bırakarak tamamen kurumasını bekleyiniz.
<p>Servis göstergesi yanıyor.</p>	Kömür fırçalar aşınmış.	► Kömür fırçaları değiştiriniz. → Sayfa 116
<p>Servis göstergesi yanıp sönüyor.</p>	Devir sayısı hatası.	► Aleti Hilti servisine tamir ettiriniz.
<p>Delme performansı göstergesi kırmızı yanıp sönüyor.</p>	Motor aşırı ısındı.	► Motor soğuyana kadar birkaç dakika bekleyiniz veya soğutma işlemini hızlandırmak için elmaslı karot makinesini boşta çalıştırınız. Elmaslı karot makinesini kapatınız ve tekrar açınız.
	Aşırı yük hatası.	► Elmaslı karot makinesini kapatınız ve tekrar açınız.
<p>Hırsızlık koruması göstergesi yanıp sönüyor.</p>	Elmaslı karot makinesi serbest değil (opsiyonel hırsızlık korumasına sahip elmaslı karot makinesi).	► Devreye alma anahtarı ile elmaslı karot makinesini serbest bırakınız.

### 9.2 Elmaslı karot makinesi çalışmaya hazırdır

Arıza	Olası sebepler	Çözüm
<p>Servis göstergesi yanıyor.</p>	Kömür fırçaların aşınma sınırına neredeyse ulaşıldı. Elmaslı karot makinesinin otomatik kapanmasına kalan süre birkaç saatle sınırlı.	► Kömür fırçaları ilk fırsatta değiştiriniz.



Anıza	Olası sebepler	Çözüm
Elmaslı karot makinesi tam güçle çalışmıyor.	Şebeke arızası – elektrik şebekesinde bir düşük gerilim meydana geldi.	<ul style="list-style-type: none"> <li>▶ Diğer tüketicilerin elektrik şebekesinde veya jeneratörde parazit nedeniyle olup olmadığını kontrol ediniz.</li> <li>▶ Kullanılan uzatma kablosunun uzunluğunu kontrol ediniz.</li> </ul>
Elmas karot ucu dönmüyor.	Şanzıman şalteri yerine oturmamış.	▶ Şanzıman şalterine yerine oturana kadar basınç.
	Elmas karot ucu zeminde sıkıştı.	<ul style="list-style-type: none"> <li>▶ Elmas karot ucu çatal anahtarla gevşetilmelidir: Şebeke fişini prizden çekiniz. Elmas karot ucunu, giriş ucunun yakınından uygun bir çatal anahtarla tutunuz ve elmas karot ucunu çevirerek çıkartınız.</li> </ul>
	Şanzıman arızalı.	▶ Aleti Hilti servisine tamir ettiriniz.
Delme hızı yavaşlıyor.	Maksimum delme derinliğine ulaşıldı.	▶ Delme ucu çıkarılmalı ve karot ucu uzatması kullanılmalıdır.
	Delme ucu, elmas karot ucunda sıkışıyor.	▶ Delme ucunu çıkartınız.
	Zemin için spesifikasyon yanlış.	▶ Daha uygun bir elmas karot ucu spesifikasyonu seçiniz.
	Yüksek çelik oranı (saydam sudaki metal talaşlarından anlaşılabilir).	▶ Daha uygun bir elmas karot ucu spesifikasyonu seçiniz.
	Elmas karot ucu arızalı.	▶ Elmas karot ucu hasar bakımından kontrol edilmeli ve gerekirse değiştirilmelidir.
	Yanlış vites seçildi.	▶ Doğru vitesi seçiniz.
	Baskı gücü çok düşük.	▶ Baskı gücü artırılmalıdır.
	Cihaz gücü çok az.	▶ Bir düşük vites geçiniz.
	Elmas karot ucu polisajlı.	▶ Elmas karot ucunu bileme tepeşinde bileyiniz.
	Su miktarı çok fazla.	▶ Su miktarı, su regülatörü ile azaltılmalıdır.
	Su miktarı çok az.	▶ Elmas karot ucuna su beslemesini kontrol ediniz veya su regülatörü ile su miktarını artırınız.
	Fren kapalı.	▶ Freni açınız.
	Emniyet debriyajı çok erken çözülüyor veya yanlış hareket ediyor.	▶ Aleti Hilti servisine tamir ettiriniz.
Çevirme kolu direnç göstermeden dönüyor.	Kopilya kırık.	▶ Kopilyayı değiştiriniz.
Elmas karot ucu, alet bağlantı yerine takılamıyor.	Takma ucu/alet bağlantı yeri kirliliği veya hasarlı.	▶ Takma ucunu veya alet bağlantı yerini temizleyiniz ve gresleyiniz veya bunları değiştiriniz.
Su çıkışından veya şanzıman gövdesinden su çıkıyor.	Su basıncı çok yüksek.	▶ Su basıncı azaltılmalıdır.



Arıza	Olası sebepler	Çözüm
İşletim esnasında alet bağlantı yerinden su çıkıyor.	Elmas karot ucu alet bağlantı yerine yeterince vidalanmadı.	<ul style="list-style-type: none"> <li>▶ Elmas karot ucu sıkıca vidalanmalıdır.</li> <li>▶ Elmas karot ucu çıkarılmalıdır. Elmas karot ucu, karot ucu eksenine göre yaklaşık 90° döndürülmelidir. Elmas karot ucu yeniden takılmalıdır.</li> </ul>
	Takma ucu/alet bağlantı yeri kirli.	▶ Takma ucunu veya alet bağlantı yerini temizleyiniz ve gresleyiniz.
	Alet bağlantı yeri veya takma ucu contası bozuk.	▶ Contayı kontrol ediniz ve gerekirse değiştiriniz.
Delme sisteminde çok fazla boşluk var.	Elmas karot ucu alet bağlantı yerine yeterince vidalanmadı.	<ul style="list-style-type: none"> <li>▶ Elmas karot ucu sıkıca vidalanmalıdır.</li> <li>▶ Elmas karot ucu çıkarılmalıdır. Elmas karot ucu, karot ucu eksenine göre yaklaşık 90° döndürülmelidir. Elmas karot ucu yeniden takılmalıdır.</li> </ul>
	Takma ucu/alet bağlantı yeri arızalı.	▶ Takma ucu ve alet bağlantı yerini kontrol ediniz ve gerekirse değiştiriniz.
	Taşıyıcıda çok fazla boşluk var.	▶ Ray ile taşıyıcı arasındaki boşluğu ayarlayınız. → Sayfa 116
	Karot tezgahındaki civata bağlantıları gevşek.	▶ Karot tezgahındaki civataların sıkıca yerine oturup oturmadığını kontrol ediniz ve gerekirse civataları sıkınız.
	Karot tezgahı yeterince sabitlenmemiştir.	▶ Karot tezgahını daha iyi sabitleyiniz.

## 10 İmha

**Hilti** aletleri yüksek oranda geri dönüşümlü malzemelerden üretilmiştir. Geri dönüşüm için gerekli koşul, usulüne uygun malzeme ayırımıdır. Çoğu ülkede **Hilti**, eski aletlerini yeniden değerlendirmek üzere geri alır. Bu konuda **Hilti** müşteri hizmetlerinden veya satış temsilcilerinizden bilgi alabilirsiniz.



- ▶ Elektrikli el aletlerini, elektronik cihazları ve aküleri evdeki çöplere atmayınız!

### 10.1 İmha etmede sondaj çamurunda yapılması gerekenler

Çevre sağlığı açısından düşünüldüğünde, sondaj çamurunun uygun önlemler alınmadan suya veya kanalizasyona aktarılması sorun yaratabilir. Bölgenizdeki resmi makamdan talimatlar hakkında bilgi alınız.

1. Sondaj çamurunu toplayınız (örneğin ıslak emme tertibatı ile).
2. Sondaj çamuru tortulaşana kadar bekleyiniz ve parçayı inşaat molozunda imha ediniz (çökteltici maddeler ayırma sürecini hızlandırabilir).
3. Kalan suyu (baz, pH değeri > 7) kanalizasyona aktarmadan önce, asit ile nötralle ediniz veya bol su ile seyreltiniz.

## 11 RoHS (Tehlikeli madde kullanımını kısıtlama direktifi)

Aşağıdaki linklerde tehlikeli maddeler tablosunu bulabilirsiniz: [qr.hilti.com/r3677](http://qr.hilti.com/r3677) (DD 120).

RoHS tablosunun linkini bu dokümanın sonunda QR kodu olarak bulabilirsiniz.



- Garanti koşullarına ilişkin sorularınız için lütfen yerel **Hilti** iş ortağınıza başvurunuz.



**1.1 حول هذا المستند**

- اقرأ هذه المستندات بالكامل قبل التشغيل. يعتبر هذا شرطا للعمل بشكل آمن والاستخدام بدون اختلالات.
- تراعى إرشادات الأمان والإرشادات التحذيرية الواردة في هذا المستند وعلى الجهاز.
- احتفظ بدليل الاستعمال دائما مع المنتج، ولا تعطي الجهاز لآخرين إلا مرفقا بهذا الدليل.

**2.1 شرح العلامات**
**1.2.1 إرشادات تحذيرية**

تنبه الإرشادات التحذيرية إلى الأخطار الناشئة عند التعامل مع الجهاز. يتم استخدام الكلمات الدلالية التالية:



**خطر !**

◀ تشير لخطر مباشر يؤدي لإصابات جسدية خطيرة أو إلى الوفاة.



**تحذير !**

◀ تشير لخطر محتمل قد يؤدي لإصابات جسدية خطيرة أو إلى الوفاة.



**احترس !**

◀ تشير لموقف خطر محتمل يمكن أن يؤدي لإصابات جسدية خفيفة أو أضرار مادية.

**2.2.1 الرموز في المستند**

يتم استخدام الرموز التالية في هذا المستند:

قبل الاستخدام اقرأ دليل الاستعمال	
إرشادات الاستخدام ومعلومات أخرى مفيدة	
التعامل مع مواد قابلة لإعادة التدوير	
لا تتخلص من الأجهزة الكهربائية البطاريات ضمن القمامة المنزلية	

**3.2.1 الرموز في الصور**

تستخدم الرموز التالية في الرسوم التوضيحية:

تشير هذه الأعداد إلى الصور المعنية بمطلع هذا الدليل	
ترقيم الصور يمثل ترتيب خطوات العمل في الصور، وقد يختلف عن ترقيم خطوات العمل في النص	3
يتم استخدام أرقام المواضع في صورة العرض العام وهي تشير إلى أرقام تعليق الصورة في فصل عرض عام للمنتج	
ينبغي أن تسترعي هذه العلامة اهتماما خاصا عند التعامل مع المنتج.	

**3.1 الرموز المرتبطة بالمنتج**
**1.3.1 علامات التوصية**

يتم استخدام علامات التوصيات التالية:

استخدم نظارة واقية للعينين	
----------------------------	--



استخدم خوذة حماية	
استخدم واقيا للأذنين	
استخدم قفازا واقيا	
استخدم حذاء واق	
استخدم واقيا خفيفا للتنفس	

### 2.3.1 الرموز على المنتج

قد تكون الرموز التالية مستخدمة على المنتج:

مؤشر الحماية من السرقة	
مبين الخدمة	
مبين قدرة الثقب	
أرضية واقية	
عدد اللغات الاسمي في الوضع الممايد	$n_0$
نقل البيانات لاسلكيا	

### 4.1 لوحات الإرشاد

على حامل المثقاب، قاعدة الارتكاز أو مثقاب التجاويف الماسي

<p><b>على قاعدة الارتكاز بالتفريغ الهوائي</b></p> <p><b>نصف الصورة العلوي:</b> بالنسبة لأعمال الثقب الأفقية بوسيلة التثبيت بالتفريغ الهوائي لا يجوز استخدام حامل المثقاب بدون تجهيزات تأمين إضافية.</p> <p><b>نصف الصورة السفلي:</b> لا يجوز القيام بأية أعمال ثقب في مستوى علوي بوسيلة التثبيت بالتفريغ الهوائي دون استخدام تجهيزة التأمين الإضافية.</p>	
<p><b>بمثقاب التجاويف الماسي</b></p> <p>بالنسبة للأعمال التي تتم لأعلى يتحتم استخدام نظام تجميع الماء مع شفاط للمواد الرطبة.</p>	
<p><b>بمثقاب التجاويف الماسي</b></p> <p>لا يجوز إجراء الأعمال إلا إذا كان مفتاح PRCD يؤدي وظيفته بكفاءة.</p>	

### 5.1 معلومات المنتج

منتجات مصممة للمستخدمين المحترفين ويقتصر استعمالها وصيانتها وإصلاحها على الأشخاص المعتمدين والمدربين جيدا. هؤلاء الأشخاص يجب أن يكونوا قد تلقوا تدريبا خاصا على الأخطار الطارئة. قد





يتسبب الجهاز وأدواته المساعدة في حدوث أخطار إذا تم التعامل معها بشكل غير سليم فنيا من قبل أشخاص غير مدربين أو تم استخدامها بشكل غير مطابق للتعليمات.  
يوجد مسمى الطراز والرقم المسلسل على لوحة الصنع.  
◀ انقل الرقم المسلسل في الجدول التالي. ستمتج إلى بيانات المنتج في حالة الاستفسارات الموجبة إلى ممثلينا أو مركز الخدمة.

#### بيانات المنتج

DD 120	مقاب التجايف الماسي
01	الجيل
	الرقم المسلسل

### 6.1 بيان المطابقة

نقر على مسؤوليتنا الفردية بأن المنتج المشروع هنا متوافق مع التشريعات والمواصفات المعمول بها. تجد صورة لبيان المطابقة في نهاية هذا المستند.

المستندات الفنية محفوظة هنا:

Hilti Entwicklungsgesellschaft mbH | Zulassung Geräte | Hiltistraße 6 | 86916 Kaufering, DE

## 2 السلامة

### 1.2 إرشادات السلامة العامة المتعلقة بالأدوات الكهربائية

**⚠ تحذير احرص على قراءة جميع إرشادات السلامة، التوجيهات، الصور التوضيحية والمواصفات الفنية المرفقة مع هذه الأداة الكهربائية.** أي تقصير أو إهمال في الالتزام بالتعليمات التالية قد يتسبب في حدوث صق كهربائي، نشوب حريق و/أو وقوع إصابات خطيرة.

**احتفظ بجميع مستندات إرشادات السلامة والتعليمات لاستخدامها عند الحاجة إليها فيما بعد.**

يقصد بمصطلح «الأداة الكهربائية» المذكور في إرشادات السلامة الأدوات الكهربائية المشغلة بالكهرباء (باستخدام كابل الكهرباء) أو الأدوات الكهربائية المشغلة بالبطاريات (بدون كابل الكهرباء).

#### سلامة مكان العمل

- ◀ حافظ على نطاق عملك نظيفا ومضاء بشكل جيد. الفوضى أو أماكن العمل غير المضاء يمكن أن تؤدي لوقوع حوادث.
- ◀ لا تعمل بالأداة الكهربائية في محيط معرض لخطر الانفجار يتواجد به سائل أو غازات أو أنواع غبار قابلة للاشتعال. الأدوات الكهربائية تولد شررا يمكن أن يؤدي لإشعال الغبار والأبخرة.
- ◀ احرص على إبعاد الأطفال والأشخاص الآخرين أثناء استخدام الأداة الكهربائية. في حالة انصراف انتباهك قد تفقد السيطرة على الجهاز.

#### السلامة الكهربائية

- ◀ يجب أن يكون قابس توصيل الأداة الكهربائية متلائما مع المقبس. لا يجوز تعديل القابس بأي حال من الأحوال. لا تستخدم قوايس مهايأ مع أدوات كهربائية ذات وصلة أرضي محمية. القوايس غير المعدلة والمقابس الملائمة تقلل من خطر حدوث صدمة كهربائية.
- ◀ تجنب حدوث تلامس للجسم مع أسطح مؤرضة مثل الأسطح الخاصة بالمواسير وأجهزة التدفئة والمواقد والثلاجات. ينشأ خطر متزايد من حدوث صدمة كهربائية عندما يكون جسمك متصلا بالأرض.
- ◀ أبعد الأدوات الكهربائية عن الأمطار أو البلل. تسرب الماء إلى داخل الأداة الكهربائية يزيد من خطر حدوث صدمة كهربائية.
- ◀ لا تستخدم كابل التوصيل لحمل الأداة الكهربائية أو تعليقها أو لسحب القابس من المقبس. احتفظ بكابل التوصيل بعيدا عن السخونة والزيت والحواف الحادة والأجزاء المتحركة. كابلات التوصيل التالفة أو المتشابكة تزيد من خطر حدوث صق كهربائي.
- ◀ عندما تعمل بأداة كهربائية في مكان مكشوف، فلا تستخدم سوى كابلات الإطالة المناسبة للعمل في النطاق الخارجي. استخدام كابل إطالة مناسب للعمل في النطاق الخارجي يقلل من خطر حدوث صق كهربائي.
- ◀ إذا تعذر تجنب تشغيل الأداة الكهربائية في محيط رطب، فاستخدم مفتاح حماية من تسرب التيار. استخدام مفتاح الحماية من تسرب التيار يقلل خطر حدوث صدمة كهربائية.



- ◀ كن يقظا وانتبه لما تفعل وتعامل مع الأداة الكهربائية بتعقل عند العمل بها. لا تستخدم الأداة الكهربائية عندما تكون متعبا أو تحت تأثير المخدرات أو الكحوليات أو العقاقير. فقد يتسبب عدم الانتباه للحظة واحدة أثناء الاستخدام في حدوث إصابات بالغة.
- ◀ ارتد تجهيزات وقاية شخصية وارتد دائما نظارة واقية. ارتدأ تجهيزات وقاية شخصية، مثل قناع الوقاية من الغبار وأحذية الأمان المضادة للانزلاق وخوذة الوقاية أو واقي السمع، تبعا لنوع واستخدام الأداة الكهربائية. يقلل من خطر الإصابات.
- ◀ تجنب التشغيل بشكل غير مقصود. تأكد أن الأداة الكهربائية مطفأة قبل توصيلها بالكهرباء و/أو بالبطارية وقبل رفعها أو حملها. إذا كان إصبعك على المفتاح عند حمل الأداة الكهربائية أو كان الجهاز في وضع التشغيل عند التوصيل بالكهرباء، فقد يؤدي ذلك لوقوع حوادث.
- ◀ أبعد أدوات الضبط أو مفاتيح ربط البراغي قبل تشغيل الأداة الكهربائية. الأداة أو المفتاح المتواجد في جزء دوار من الجهاز يمكن أن يؤدي لحدوث إصابات.
- ◀ تجنب اتخاذ وضع غير طبيعي للجسم. احرص على أن تكون واقفا بأمان وحافظ على توازنك في جميع الأوقات. من خلال ذلك تستطيع السيطرة على الأداة الكهربائية بشكل أفضل في المواقف المفاجئة.
- ◀ ارتد ملابس مناسبة. لا ترتد ملابس فضفاضة أو حلي. احرص على أن يكون الشعر والملابس والقفازات بعيدة عن الأجزاء المتحركة. الملابس الفضفاضة أو الحلي أو الشعر الطويل يمكن أن تشبك في الأجزاء المتحركة.
- ◀ إذا أمكن تركيب تجهيزات شفت وتجميع الغبار، فتأكد أنها موصلة ومستخدمة بشكل سليم. استخدام تجهيزة شفت الغبار يمكن أن يقلل الأخطار الناتجة عن الغبار.
- ◀ لا تعتقد بأنك في مأمن عن الخطر ولا تتجاهل تشريعات السلامة المعنية للأدوات الكهربائية، حتى وإن كنت على دراية بالأداة الكهربائية بعد تكرار استخدامها. التعامل مع الجهاز بدون حذر قد يؤدي إلى وقوع إصابات بالغة في جزء من الثانية.

#### استخدام الأداة الكهربائية والتعامل معها

- ◀ لا تفرط في التمهيل على الجهاز. استخدم الأداة الكهربائية المناسبة للعمل الذي تقوم به. استخدام الأداة الكهربائية المناسبة يتيح لك العمل بشكل أفضل وأكثر أمانا في نطاق العمل المقرر.
- ◀ لا تستخدم أداة كهربائية ذات مفتاح تالف. الأداة الكهربائية التي لم يعد يمكن تشغيلها أو إطفائها تمثل خطورة ويجب إصلاحها.
- ◀ اسحب القابس من المقبس و/أو اخلع البطارية القابلة للخلع من الجهاز قبل إجراء عمليات الضبط، أو استبدال أجزاء الملحقات أو عند ترك الجهاز. هذا الإجراء الوقائي يمنع بدء تشغيل الأداة الكهربائية دون قصد.
- ◀ احتفظ بالأدوات الكهربائية غير المستخدمة بعيدا عن متناول الأطفال. لا تسمح باستخدام الجهاز من قبل أشخاص ليسوا على دراية به أو لم يقرأوا هذه التعليمات. الأدوات الكهربائية خطيرة في حالة استخدامها من قبل أشخاص ليست لديهم الخبرة الواجبة.
- ◀ اعتني جيدا بالأدوات الكهربائية والملحقات. افحص الأجزاء المتحركة من حيث أداؤها لوظيفتها بدون مشاكل وعدم انحصارها وافحصها من حيث وجود أجزاء مكسورة أو متعرضة للضرر يمكن أن تؤثر سلبا على وظيفة الأداة الكهربائية. اعمل على إصلاح الأجزاء التالفة قبل استخدام الجهاز. الكثير من الحوادث مصدرها الأدوات الكهربائية التي تم صيانتها بشكل رديء.
- ◀ حافظ على أدوات القطع حادة ونظيفة. تميز أدوات القطع ذات حواف القطع المادة المعتنى بها بدقة بأنها أقل عرضة للتعثر وأسهل في التعامل.
- ◀ استخدم الأداة الكهربائية والملحقات وأدوات العمل وخلافه طبقا لهذه التعليمات. احرص في هذه الأثناء على مراعاة اشتراطات العمل والمهمة المراد تنفيذها. استخدام الأدوات الكهربائية في تطبيقات غير تلك المقررة لها يمكن أن يؤدي لمواقف خطيرة.
- ◀ حافظ على المقابض ومواضع المسك في حالة جافة ونظيفة وخالية من الزيت والشحم. المقابض ومواضع المسك الانزلاقية تحول دون استعمال الأداة الكهربائية والتحكم بها بشكل آمن في المواقف غير المتوقعة.

#### الخدمة

- ◀ اعمل على إصلاح أدواتك الكهربائية على أيدي فنيين معتمدين فقط والاقصرار على استخدام قطع الغيار الأصلية. وبذلك تتأكد أن سلامة الأداة الكهربائية تظل قائمة.



- احرص على إبعاد الماء عن نطاق العمل عند القيام بأعمال ثقب تتطلب استخدام الماء أو استخدم تجهيزاً لجميع السوائل. العمل بتدابير الوقاية هذه يحافظ على نطاق العمل في حالة جافة ويقلل من خطر حدوث الصعق الكهربائي.
- أمسك الجهاز من مواضع المسك المعزولة عند إجراء أعمال يحتمل فيها أن تتلامس فيها أداة القطع مع أسلاك كهربائية مخفية أو مع سلك الكهرباء ذاته. حيث أن ملامسة أداة القطع مع سلك يسري به تيار كهربائي يمكن أن ينقل الجهد الكهربائي للأجزاء المعدنية بالأداة الكهربائية ويؤدي لحدوث صعق كهربائي.
- احرص على ارتداء واقية للأذنين عند الثقب الماسي. لذا يرجى مراعاة أن الضجيج الصاخب يمكن أن يُفقد القدرة على السمع.
- عند انحصار أداة الشغل، توقف عن الدفع وأوقف الأداة. افحص سبب الانحصار وعالج المشكلة الناتج عنها انحصار أداة الشغل.
- عندما ترغب في إعادة تشغيل أداة ثقب ماسية تم إدخالها في قطعة شغل، فتأكد من إدارة أداة الشغل بشكل حر قبل التشغيل. وإذا كانت أداة الشغل منحصرة، فقد لا تدور، وقد يؤدي ذلك إلى زيادة التميل على الأداة أو إلى انفصال أداة الثقب الماسية من قطعة الشغل.
- عند تثبيت حامل المثقاب على قطعة الشغل باستخدام الفيشر والبراغي، تأكد من كفاءة تجهيز التثبيت المستخدمة لضمان تأمين الأداة جيداً أثناء الاستخدام. إذا لم تكن قطعة الشغل قادرة على التحمل وأصبحت مسامية فقد يتم خلع الفيشر مما ينتج عنه انفصال حامل المثقاب من قطعة الشغل.
- عند تثبيت حامل المثقاب بقطعة الشغل باستخدام قاعدة الارتكاز بالتفريغ الهوائي، فيرجى مراعاة أن يكون السطح أملس، نظيف وغير مسامي. لا تقم بتثبيت حامل المثقاب على أسطح رقائقية، مثل الرخام وطبقات الطلاء بالخامات المركبة. إذا كان السطح غير أملس، غير مستو أو غير ثابت بدرجة كافية فقد تفصل قاعدة الارتكاز بالتفريغ الهوائي من قطعة الشغل.
- تأكد قبل وأثناء الثقب من وجود تفريغ هوائي بقدر كافي. إذا لم يكن التفريغ الهوائي كافياً، فقد تفصل قاعدة الارتكاز بالتفريغ الهوائي من قطعة الشغل.
- لا تقم أبداً بأية أعمال ثقب أعلى مستوى الرأس أو بالمناطق في حالة تثبيت الأداة بقاعدة الارتكاز بالتفريغ الهوائي فقط. عند فقد التفريغ الهوائي تفصل قاعدة الارتكاز بالتفريغ الهوائي من قطعة الشغل.
- عند الثقب في الجدران أو الأسقف، احرص على توفير الحماية اللازمة للأشخاص ونطاق العمل في الجانب آخر. فقد يخرج طربوش الثقب عبر الثقب المحفور ويتساقط ناتج الثقب في الجانب الآخر.
- استخدم دائماً تجهيزاً لجميع السوائل المحددة في دليل الاستخدام عند القيام بأعمال ثقب أعلى مستوى الرأس. احرص على عدم تسرب الماء داخل الأداة. تسرب الماء إلى داخل الأداة الكهربائية يزيد من خطر حدوث الصعق الكهربائي.

## 3.2 إرشادات إضافية للسلامة

## سلامة الأشخاص

- لا يسمح بإجراء أية تدخلات أو تغييرات على الجهاز.
- الجهاز غير مخصص للاستخدام من قبل الأشخاص ذوي البنية الضعيفة دون تدريبهم.
- احفظ الجهاز بعيداً عن متناول الأطفال.
- تجنب ملامسة الأجزاء الدوارة. لا تقم بتشغيل الجهاز إلا في نطاق العمل. ملامسة الأجزاء الدوارة، وخصوصاً الأدوات الدوارة، يمكن أن يؤدي لحدوث إصابات.
- تجنب ملامسة بشرتك للأحوال الناتجة عن الثقب.
- الغبار الناتج عن خامات مثل الطلاء المحتوي على الرصاص وبعض أنواع الأخشاب والفرسانة/الجدران والصخور المحتوية على الكوارتز والمعادن الصخرية والمعادن هو غبار ضار بالصحة. ملامسته أو استنشاقه قد يسبب أعراض حساسية و/أو أمراض الجهاز التنفسي للمستخدم أو للأشخاص المتواجدين على مقربة منه. هناك أنواع معينة مسرطنة من الغبار مثل غبار خشب البلوط أو غبار خشب الزان، ولا سيما إذا ارتبطت هذه الأنواع بمواد إضافية لمعالجة الأخشاب (مثل الكروم ومواد حماية الأخشاب). لا يجوز التعامل مع المواد المحتوية على الأسبستوس إلا بمعرفة فنيين متخصصين، واستخدم شفاط فعال للغبار إن أمكن. استخدم لذلك مزبل الغبار المحمول الموصى به من Hilti المخصص لغبار الأخشاب و/أو المعادن والذي تمت مواضعه مع هذه الأداة الكهربائية. احرص على توفير تهوية جيدة لمكان العمل. ننصح بارتداء قناع للتنفس مناسب لنوعية الغبار المنبعث. احرص على مراعاة اللوائح المعمول بها في بلدك بخصوص المواد المراد التعامل معها.



- ◀ مثقاب التجاويف الماسي وطربوش الثقب الماسي ثقيل الوزن. يمكن أن تتعرض أجزاء من جسمك لكدمات. أثناء استخدام الجهاز يجب على المستخدم والأشخاص المتواجدين بالقرب منه استعمال نظارة واقية ملاتمة وخوذة وواقية للأذنين وقفاز وحذاء واق.
- ◀ الاستخدام والتعامل بعناية مع الأدوات الكهربائية
- ◀ تحقق من تثبيت الجهاز في حامل المثقاب بشكل صحيح.
- ◀ يراعى دائما تركيب مصد نهائي على حامل المثقاب، وإلا لن تتاح وظيفة المصد النهائي المتعلقة بالسلامة.
- ◀ تأكد أن أدوات الشغل بها نظام التثبيت المناسب للجهاز وأنها مؤمنة بشكل سليم في ظرف تركيب الأدوات.

#### السلامة الكهربائية

- ◀ تجنب استخدام كابل إطالة بمقابس متعددة بالتزامن مع تشغيل عدة أجهزة في نفس الوقت.
- ◀ يجب تشغيل الجهاز من خلال توصيله بشبكات الكهرباء في وجود وصلة أرضي ومراعاة الأبعاد الكافية.
- ◀ قبل بدء الأعمال افحص نطاق العمل من حيث وجود توصيلات كهرباء مغطاة أو مواسير للغاز والماء، مثلا باستخدام جهاز للكشف عن المعادن. الأجزاء المعدنية الخارجية بالجهاز يمكن أن يسري فيها الجهد الكهربائي، وذلك إذا قمت سبوا بإتلاف إحدى توصيلات التيار على سبيل المثال. ويمثل هذا خطرا شديدا في حالة حدوث صدمة كهربائية.
- ◀ احرص على عدم إلحاق الضرر بكابل الكهرباء عند تحرك الزلافة.
- ◀ لا تقم أبدا بتشغيل الجهاز بدون مفتاح PRCD المورد معه (بالنسبة للأجهزة غير المزودة بمفتاح PRCD لا تقم بالتشغيل أبدا بدون محول عازل). افحص مفتاح PRCD قبل كل استعمال.
- ◀ افحص أسلاك توصيل الجهاز بشكل منتظم وعند تلفها اعمل على تغييرها بمعرفة فني معتمد. في حالة تعرض سلك توصيل الأداة الكهربائية للتلف يجب استبداله بسلك التوصيل المخصص والمسموح به لهذا الغرض والذي يجب الحصول عليه من خلال خدمة العملاء. افحص توصيلات الإطالة بشكل منتظم واستبدلها عندما تتلف. في حالة تلف كابل الكهرباء أو كابل الإطالة أثناء العمل، فلا يجوز لمس الكابل. اسحب القابس الكهربائي من المقبس. أسلاك التوصيل وتوصيلات الإطالة التالفة تمثل خطرا من خلال حدوث صدمة كهربائية.
- ◀ لا تقم بتشغيل الجهاز أبدا وهو متسخ أو مبتل. حيث يمكن أن يؤدي الغبار الملتصق بسطح الجهاز ولاسيما الغبار الناتج من مواد موصلة للكهرباء أو الرطوبة إلى التعرض لصعقة كهربائية في بعض الظروف غير الملائمة. لذا اعمل على فحص الأجهزة المتسخة على فترات زمنية منتظمة لدى خدمة Hilti ولاسيما في حالة العمل المتكرر مع مواد موصلة للكهرباء.

#### مكان العمل

- ◀ احرص على أن تأخذ تصريحاً من الإدارة الإنشائية بإجراء أعمال الثقب. إجراء أعمال الثقب بالمباني والمنشآت الأخرى يمكن أن يؤثر سلباً على ثباتها، وبصفة خاصة عند فصل قضبان حديد التسليح أو الكمرات.
- ◀ احرص دائما على تحريك الجهاز المركب على حامل المثقاب بأكمله لأسفل في حالة حامل المثقاب المثبت بشكل غير صحيح، وذلك لتجنب تعرض الجهاز للانقلاب.
- ◀ احرص على إبعاد كابل الكهرباء وكابل الإطالة وخرطوم الشفط وخرطوم التفريغ الهوائي عن الأجزاء الدوارة.
- ◀ بالنسبة للأعمال التي تتم لأعلى في حالة الثقب الرطب يتم استخدام نظام تجميع الماء بالارتباط بشفاط للمواد المبللة.
- ◀ بالنسبة للأعمال التي تتم لأعلى لا يجوز استخدام وسيلة التثبيت بالتفريغ الهوائي دون استخدام وسيلة التثبيت الإضافية.
- ◀ بالنسبة لأعمال الثقب الأفقية بوسيلة التثبيت بالتفريغ الهوائي (ملحق تكميلي) لا يجوز استخدام حامل المثقاب بدون تجهيزات تأمين إضافية.

### 3 الشرح

#### 1.3 الاستخدام المطابق للتعليمات

المنتج الموصوف هو مثقاب التجاويف الماسي يعمل بالكهرباء. وهو مخصص لأعمال الثقب الرطبة النافذة وغير النافذة التي تتم على المائل في الأسطح المعدنية (المسلحة). لا يُسمح باستخدام مثقاب التجاويف الماسي في الأعمال التي تتم باليد.

المنتج الموضع مخصص للمستخدم المتمترف ولا يجوز استعماله وصيانة وإصلاح هذا الجهاز إلا بمعرفة أشخاص معتمدين ومدربين جيدا. هؤلاء الأشخاص يجب أن يكونوا قد تلقوا تدريباً خاصاً على الأخطار الطارئة. قد

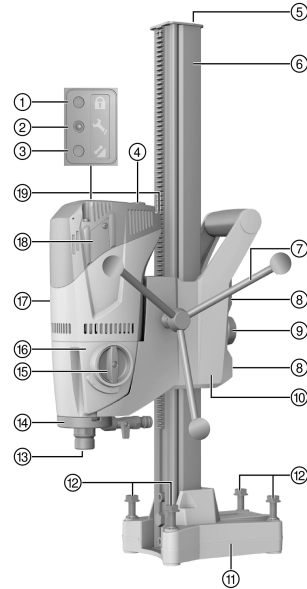


- يتسبب المنتج المشروح وأدواته المساعدة في حدوث أخطار إذا تم التعامل معها بشكل غير سليم فنيا من قبل أشخاص غير مدربين أو تم استخدامها بشكل غير مطابق للتعليمات.
- ◀ استخدم حامل المثقاب دائما عند استخدام مثقاب التجايف الماسي. يجب أن يكون حامل المثقاب مثبتا في موضع الشغل باستخدام فيشر أو قاعدة ارتكاز بالتفريغ الهوائي.
  - ◀ لا تستخدم أية أدوات طرق (مطرقة) لأعمال الضبط التي تتم على قاعدة الارتكاز.
  - ◀ يجب ألا يتم التشغيل إلا بالتردد والجهد الكهربائي المذكورين على لوحة الصنع.
  - ◀ تراعى قوانين حماية العمال المحلية.
  - ◀ اتبع أيضا إرشادات السلامة والاستعمال الخاصة بالملحقات التكميلية المستخدمة.
  - ◀ اقتصر على استخدام الملحقات التكميلية وطرايش الثقب الأصلية من Hilti، لتجنب مخاطر الإصابة.

## 2.3 مكونات الجهاز وعناصر الاستعمال 1

### المثقاب الماسي DD 120

- |  |   |
|--|---|
| مبين الحماية من السرقة (تجهيز اختياري) | ① |
| مبين الخدمة                            | ② |
| مبين قدرة الثقب                        | ③ |
| مفتاح التشغيل/الإيقاف                  | ④ |
| المصد النهائي                          | ⑤ |
| القضيب                                 | ⑥ |
| الطارة اليدوية                         | ⑦ |
| براغي ضبط خلوص الزلاقة (أربعة)         | ⑧ |
| مثبت الزلاقة                           | ⑨ |
| زلاقة                                  | ⑩ |
| قرص ارتكاز الفيشر                      | ⑪ |
| براغي ضبط الاستواء (أربعة)             | ⑫ |
| ظرف تركيب الأدوات                      | ⑬ |
| رأس الشطف                              | ⑭ |
| مفتاح صندوق التروس                     | ⑮ |
| ناقل الحركة                            | ⑯ |
| المحرك                                 | ⑰ |
| غطاء الفرشات الكربونية                 | ⑱ |
| كابل الكهرباء، شاملا مفتاح PRCO        | ⑲ |



## 1.2.3 قاعدة الارتكاز بالتفريغ الهوائي (ملحق) 2

- |                      |   |                      |   |
|----------------------|---|----------------------|---|
| صمام تنفيس التفريغ   | ⑲ | بريمة شد             | ⑳ |
| جوان التفريغ الهوائي | ㉔ | وصلة التفريغ الهوائي | ㉑ |
|                      |   | مانومتر              | ㉒ |

## 2.2.3 وسيلة تثبيت 3

- |                   |   |          |   |
|-------------------|---|----------|---|
| صامولة بريمة الشد | ⑲ | بريمة شد | ㉕ |
|                   |   | فيشر     | ㉖ |

## 3.2.3 نظام تجميع الماء 4

- |                  |   |                 |   |
|------------------|---|-----------------|---|
| وعاء تجميع الماء | ㉚ | حامل مجمع الماء | ㉛ |
|------------------|---|-----------------|---|

## 3.3 مابين الخدمة

المنتج مزود بمبين خدمة به إشارة صوتية.



### 4.3 مجموعة التجهيزات الموردة

مثقاب التجاويف الماسي، الطارة اليدوية، دليل الاستعمال.  
يتم تسليم حامل المثقاب بشكل منفصل. تجد المزيد من منتجات النظام المسموح بها للمنتج الخاص بك لدى متجر Hilti Store أو على موقع الإنترنت: [www.hilti.group](http://www.hilti.group).

### 5.3 استخدام مولد أو محول

يمكن تشغيل هذا الجهاز من مولد أو من محمول في الموقع، وذلك عند الالتزام بالاشتراطات التالية: يجب أن تكون قدرة الخرج المقاسة بالواط على الأقل ضعف القدرة القصوى المذكورة على لوحة صنع الجهاز، ويجب أن يكون جهد التشغيل في أي وقت واقعا في نطاق +5% و -15% من الجهد الاسمي، كما يجب أن يبلغ التردد من 50 إلى 60 هرتز، ولا يزيد أبدا على 65 هرتز، ويجب توافر منظم جهد أو توماتيكي مزود بمعزل لبدء التشغيل.

**i** قد يؤدي تشغيل وإيقاف أجهزة أخرى لانخفاض مفاجئ و/أو زيادة مفاجئة في الجهد بشكل زائد عن الحد، مما قد يعرض الجهاز للضرر.

## 4 المواصفات الفنية

### 1.4 المواصفات الفنية

الوزن (القضيب 600 مم) بعد إجراء EPTA01	9.8 كجم
أقصى ضغط مسموح به لخرطوم الماء	6 بار
عدد اللفات الاسمي في الوضع المحايد للسرعة الأولى	740 لفة/دقيقة
عدد اللفات الاسمي في الوضع المحايد للسرعة الثانية	1,580 لفة/دقيقة
أبعاد القضيب القصير لحامل المثقاب (طول x عرض x ارتفاع)	330 مم x 147 مم x 600 مم
أبعاد القضيب المتوسط لحامل المثقاب (طول x عرض x ارتفاع)	330 مم x 147 مم x 720 مم
أبعاد القضيب الطويل لحامل المثقاب (طول x عرض x ارتفاع)	330 مم x 147 مم x 830 مم
فئة الحماية	فئة الحماية I (حماية بالتأريض)

### 2.4 السرعات وأقطار طربوش الثقب المعنية

**i** يرجى أخذ بيانات قطر الثقب الخاصة بجهازك من لوحة الصنع.  
في الأسطح الخرسانية التي بها أسياخ حديد قليلة يمكن استخدام السرعة الثانية حتى Ø 82 مم (3 1/2 بوصة) لتنفيذ أعمال الثقب بسرعة أكبر.

السرعة	قطر طربوش الثقب	في الوضع المحايد
1	132 (*162) ... 57 مم	740 لفة/دقيقة
2	52 ... 16 مم	1,580 لفة/دقيقة

### 3.4 قيم الضوضاء والاهتزاز طبقا للمواصفة EN 62841

تم قياس ضغط الصوت وقيم الاهتزاز الواردة في هذا الدليل طبقا لأحد معايير القياس المحددة ويمكن الاستعانة بها في إجراء مقارنة بين الأدوات الكهربائية مع بعضها البعض. وهي مناسبة أيضا لتقدير حجم المخاطر بصورة أولية.

المواصفات الواردة تتعلق بالاستخدامات الأساسية للأداة الكهربائية. أما إذا تم استخدام الأداة الكهربائية في تطبيقات أخرى مع أدوات شغل مخالفة للمواصفات أو دون صيانة كافية، ففي هذه الحالة قد تختلف المواصفات. وقد يزيد هذا من نسبة المخاطر طوال مدة العمل بصورة واضحة.

وللحصول على تقدير دقيق لحجم المخاطر ينبغي أيضا مراعاة الأوقات التي يتم فيها إيقاف الجهاز أو التي يتم فيها تشغيل الجهاز ولكن دون استخدام حقيقي. وقد يقلل هذا من نسبة المخاطر طوال مدة العمل بصورة واضحة. احرص على اتخاذ إجراءات إضافية للسلامة من شأنها حماية المستخدم من تأثير الضجيج و/أو الاهتزازات مثل: صيانة الأداة الكهربائية وأدوات الشغل والحفاظ على الأيدي في حالة دافئة وتنظيم مراحل العمل.



102 ديسيبل	مستوى شدة الصوت الاعتيادي مصنف بالفئة A
89 ديسيبل	مستوى شدة الصوت الاعتيادي المنبعث مصنف بالفئة A
3 ديسيبل	نسبة التفاوت بالنسبة لمستويات ضغط الصوت المذكورة

## قيم الاهتزاز

2.5 م/ثانية <sup>2</sup>	التعب في الخرسانة (رطب)، a <sub>n</sub>
1.5 م/ثانية <sup>2</sup>	نسبة التفاوت (K)

## 5 التحضير للعمل

## تحذير

- خطر الإصابة!** قد يتعرض حامل المثقاب في حالة تثبيته بشكل غير كافي إلى الدوران أو الانقلاب.
- ◀ قم بتثبيت حامل المثقاب قبل استخدام المثقاب الماسي على موضع الشغل الذي يجري العمل عليه بواسطة خوابير أو قرص الارتكاز بالتفريغ الهوائي.
  - ◀ اقتصر على استخدام الخوابير المناسبة لموضع الشغل الموجود، واحرص على مراعاة إرشادات التركيب الصادرة عن الجهة الصانعة للخوابير.
  - ◀ لا تستخدم قرص الارتكاز بالتفريغ الهوائي إلا إذا كان موضع الشغل مناسب لتثبيت حامل المثقاب باستخدام نظام التفريغ الهوائي.

## 1.5 تركيب الطارة اليدوية على جهاز ثقب التجاويف الماسية

1. انزع التيلة وقم بتركيب الطارة اليدوية على المحور.
  2. قم بتأمين الطارة اليدوية باستخدام التيلة.
- يمكن تركيب الطارة اليدوية على جانبي الزلافة.



## 2.5 تثبيت جهاز ثقب التجاويف الماسية على حامل المثقاب

## احترس:

- خطر الإصابة!** خطر بسبب تشغيل مثقاب التجاويف الماسي دون قصد.
- ◀ يجب ألا يكون مثقاب التجاويف الماسي موصلاً بالشبكة الكهربائية أثناء القيام بأعمال التجهيز.
1. قم بمل البرغي الداخلي باستخدام المفتاح سداسي الرأس.
  2. اخلع المصد النهائي من القضيب.
  3. قم بفتح مثبت الزلافة عن طريق فك المفتاح الدوار بالكامل.
  4. قم بتركيب جهاز ثقب التجاويف الماسية على القضيب عبر الفتحة المعنية.
  5. لتحريك جهاز ثقب التجاويف الماسية بشكل كامل على القضيب، استخدم الطارة اليدوية.
  6. قم بتثبيت جهاز ثقب التجاويف الماسية من خلال إدارة مثبت الزلافة بالكامل.
  7. تحقق من التثبيت الآمن لجهاز ثقب التجاويف الماسية عن طريق إدارة الطارة اليدوية قليلاً.
  8. لا تقم بتركيب المصد النهائي على القضيب وتأكد من أنها مثبتة بشكل آمن.

افحص خلوص الزلافة واضبطه عند اللزوم. ← صفحة 135



## 3.5 تثبيت حامل المثقاب باستخدام فيشر

## تحذير

- خطر الإصابة في حالة استخدام فيشر خاطئ!** قد ينفصل الجهاز ويمدث أضراراً.
- ◀ استخدم الفيشر الملائم لموضع الشغل الحالي واحرص على مراعاة إرشادات التركيب الصادرة عن الجهة الصانعة للفيشر.



**i** خوابير الفيشر المعدنية M12 من Hilti مناسبة في المعتاد لتثبيت تجهيزات طربوش الثقب في سطح خرساني خال من الشروخ. ومع ذلك قد يلزم في ظروف معينة استخدام عنصر تثبيت بديل. إذا كانت لديك أية استفسارات حول التثبيت الآمن توجه إلى مركز الخدمة الفنية لدى Hilti.

1. قم بتثبيت خوابير الفيشر الملائم لموضع الشغل المعني على مسافة تبعد 203 مم (8 بوصة) من مركز الثقب.
2. اربط بريمة الشد في الفيشر.
3. أدر جميع براغي ضبط الاستواء للخلف لحين استواء قاعدة الارتكاز على موضع الشغل.
4. قم بتركيب حامل المثقاب على بريمة الشد واضبط محاذاة حامل المثقاب.
5. اربط صامولة بريمة الشد دون إحكام على بريمة الشد.
6. اضبط استواء قرص الارتكاز عن طريق براغي ضبط الاستواء الأربعة.

**i** يجب تثبيت براغي ضبط الاستواء على موضع الشغل.

7. قم بتثبيت حامل المثقاب باستخدام صامولة بريمة الشد ومفتاح هلال (19 SW).
8. تأكد من التثبيت الآمن لحامل المثقاب.

#### 4.5 تثبيت حامل المثقاب بقاعدة الارتكاز بالتفريغ الهوائي (ملحق تكميلي)



**خطر**

**خطر الإصابة بسبب سقوط مثقاب التجاويف الماسي !**

- ◀ لا يجوز تثبيت حامل المثقاب في السقف باستخدام وسيلة التثبيت بالتفريغ الهوائي فقط. يمكن أن يتم ضمان تثبيتاً إضافياً عن طريق دعامة ثقيلة أو عمود ملولب.



**تحذير**

**خطر الإصابة في حالة عدم التحكم في الضغط !**

- ◀ قبل وأثناء أعمال الثقب يجب التحقق من أن مؤشر المانومتر في النطاق الأخضر.

**i** تحقق من عدم إلحاق الضرر بقرص الارتكاز بالتفريغ الهوائي بفعل طربوش الثقب المختار. يرجى مراعاة توفير مكان كافي للتركيب والاستخدام قبل وضع حامل المثقاب. اقتصر على التثبيت بالتفريغ الهوائي لتركيب طرايش الثقب بقطر  $\geq 300$  مم ( $\geq 12$  بوصة) ودون استخدام قطعة معاودة.

1. ارسم خط توجيه طوله حوالي 800 مم (31.5 بوصة) من مركز الثقب في الاتجاه الذي سيتم فيه وضع جهاز ثقب التجاويف الماسية.
2. ضع خط التمييز بشكل رأسي على خط توجيهه الذي يبعد 203 مم (8 بوصة) من مركز الثقب.
3. أدر جميع براغي ضبط الاستواء للخلف لحين استواء قرص الارتكاز على موضع الشغل.
4. قم بتركيب حامل المثقاب فوق البريمة على قرص الارتكاز بالتفريغ الهوائي.
- ↔ يستقر قرص الارتكاز في مستوى واحد على المصدات النهائية لقاعدة الارتكاز بالتفريغ الهوائي.
5. قم بتثبيت حامل المثقاب باستخدام صامولة بريمة الشد ومفتاح هلال SW 19.
6. اربط وصلة التفريغ الهوائي لقاعدة الارتكاز بالتفريغ الهوائي مع مضخة التفريغ الهوائي.
7. قم بتشغيل مضخة التفريغ الهوائي واضغط على قاعدة الارتكاز بالتفريغ الهوائي في اتجاه موضع الشغل.
8. لمحاذاة جهاز ثقب التجاويف الماسية، اضغط واستمر في الضغط على صمام تنفيس التفريغ الهوائي.

**i** استخدم العلامة لضبط استواء قرص الارتكاز بالفيشر وخط التمييز.

9. اترك صمام تنفيس التفريغ الهوائي واضغط قاعدة الارتكاز بالتفريغ الهوائي اتجاه موضع الشغل.
10. تأكد من التثبيت الآمن لحامل المثقاب.
11. عند اللزوم، اضبط استواء جهاز ثقب التجاويف الماسية عن طريق براغي ضبط الاستواء الأربعة.





## 5.5 تركيب وصلة الماء (ملحق تكميلي)

### تنبيه

- خطر بسبب الاستخدام غير السليم!** الاستخدام غير السليم يمكن أن يتلف الخرطوم.
- افحص الخراطيم بانتظام للتأكد من عدم وجود أضرار بها وتأكد من عدم تجاوز ضغط خرطوم الماء الأقصى المسموح به لقيمة 6 بار.
  - احرص على عدم ملاصقة الخرطوم للأجزاء الدوارة.
  - احرص على عدم إلحاق الضرر بالخرطوم عند تمرك الزلافة.
  - درجة حرارة الماء القصوى: 40°م.
  - تأكد من إحكام نظام الماء الموصل ضد التسريب.

**i** اقتصر على استخدام الماء المتجدد أو الماء الخالي من جزيئات الاتساخ لتجنب إلحاق الضرر بمكونات الجهاز. يمكن تركيب مبيّن دفق بين الجهاز وخرطوم الماء كملحق تكميلي.

1. قم بتوصيل منظم الماء بمثقاب التجايف الماسي.
2. قم بإنشاء وصلة الإمداد بالماء (وصلة الخرطوم).

## 6.5 تركيب نظام تجميع الماء (ملحق تكميلي)

### تحذير

- خطر بسبب حدوث صدمة كهربائية** في حالة تلف تجهيزة الشفط، يمكن للماء أن يسيل فوق الممرك أو الغطاء.
- توقف عن العمل فورًا في حالة توقف الشفط.

### احترس!

- خطر الإصابة!** تشغيل الجهاز بشكل غير مقصود.
- اسحب القابس الكهربائي، قبل إجراء عمليات ضبط الجهاز أو تغيير أجزاء الملحقات.

**i** عند القيام بأعمال الثقب لأعلى، يجب أن يكون مثقاب التجايف الماسي بزاوية 90° مع السقف. ويجب موازنة مانع تسرب مجمع الماء مع قطر طربوش الثقب الماسي. باستخدام نظام تجميع الماء، يمكنك تصريف الماء مباشرة وبالتالي تحول دون اتساخ المنطقة المحيطة بك.

1. اخلع البرغي الموجود بحامل المثقاب.
2. لقم قترغيب حامل تجميع الماء باشثخدام البرغي على حامل المثقاب.
3. ضع وعاء تجميع الماء مع تركيب الجوان ومانع تسرب مجمع الماء بين الذراعين المتحركين لمجمع الماء.
4. اربط وعاء تجميع الماء بالبرغيين على مجمع الماء بمواجهة السطح الذي ستقوم بتنفيذ الأعمال عليه.
5. قم بتوصيل شفاط للمواد الرطبة بوعاء تجميع الماء أو قم بتوصيل خرطوم يمكن تصريف الماء من خلاله.

## 7.5 تركيب طربوش الثقب الماسي (ظرف تركيب الأدوات BI+)

### خطر

- خطر الإصابة!** فقد تتطاير شظايا من قطعة الشغل أو أجزاء مكسورة من أدوات الشغل وتتسبب في وقوع إصابات حتى خارج نطاق العمل المباشر.
- لا تستخدم أدوات شغل تالفة. افحص أدوات الشغل قبل كل استخدام لها من حيث وجود تصدعات أو تشققات أو برّي أو تآكل شديد.

### احترس!

- خطر الإصابة!** تشغيل الجهاز بشكل غير مقصود.
- اسحب القابس الكهربائي، قبل إجراء عمليات ضبط الجهاز أو تغيير أجزاء الملحقات.



**i** يجب تغيير طرابيش الثقب الماسية بمجرد انخفاض قدرة القطع أو إنجاز عملية الثقب بشكل ملحوظ. وبصفة عامة يحدث هذا عندما يقل ارتفاع القطاعات الماسية عن 2 مم (1/16 بوصة).  
يتم استخدام أطرف تركيب الأدوات C-Rod و A-Rod و M27 و BR بمفتاح هلائي SW 27.

1. قم بتثبيت جهاز ثقب التجاويف الماسية من خلال إدارة مثبت الزلافة بالكامل.
2. افتح طرف تركيب الأدوات (BI+) بإدارته في اتجاه رمز المشبك المفتوح.
3. أدخل نظام تثبيت طربوش الثقب الماسي من أسفل على أسنان طرف تركيب الأدوات بمثقاب التجاويف الماسي.
4. افتح طرف تركيب الأدوات بإدارته في اتجاه رمز المشبك المفتوح.
5. تأكد من إحكام تثبيت طربوش الثقب الماسي في طرف تركيب الأدوات.

## 8.5 اختيار عدد اللغات

### **⚠️ احترس:**

**خطر التآكل** خطر حدوث ضرر بعلبة التروس  
◀ لا تقم بالتعشيق أثناء التشغيل. انتظر حتى ثبات البريمة تماما.

1. اضبط وضع المفتاح حسب قطر طربوش الثقب المستخدم.
2. أدر المفتاح إلى الوضع الموصى به بالتزامن مع إدارة طربوش الثقب يدويا.

## 9.5 اخلع طربوش الثقب الماسي (طرف تركيب الأدوات BI+)

### **⚠️ خطر**

**خطر الإصابة** فقد تتطاير شظايا من قطعة الشغل أو أجزاء مكسورة من أدوات الشغل وتتسبب في وقوع إصابات حتى خارج نطاق العمل المباشر.  
◀ لا تستخدم أدوات شغل تالفة. افحص أدوات الشغل قبل كل استخدام لها من حيث وجود تصدعات أو تشققات أو بري أو تآكل شديد.

### **⚠️ احترس:**

**خطر الإصابة!** تشغيل الجهاز بشكل غير مقصود.  
◀ اسحب القابس الكهربائي، قبل إجراء عمليات ضبط الجهاز أو تغيير أجزاء الملحقات.

**i** بالنسبة لأطرف تركيب الأدوات C-Rod و A-Rod و M27 و BR، قم بتثبيت عمود الجهاز بمفتاح هلائي SW 27 ثم اخلع طربوش الثقب بعد ذلك بمفتاح هلائي مناسب.

1. قم بتثبيت جهاز ثقب التجاويف الماسية من خلال إدارة مثبت الزلافة بالكامل.
2. افتح طرف تركيب الأدوات (BI+) بإدارته في اتجاه رمز المشبك المفتوح.
3. اسحب جلبة التشغيل في اتجاه السهم نحو الجهاز، لتحرير طربوش الثقب.
4. أخرج طربوش الثقب من طرف تركيب الأدوات (BI+).

## 6 الاستعمال

### 1.6 وظيفة الحماية من السرقة TPS (تجهيز اختياري)

يمكن تبعا لاختيارك تزويد المنتج بوظيفة الحماية من السرقة TPS. عندئذ لا يمكن إتاحتها للعمل وتشغيله إلا باستخدام المفتاح الخاص به.

### 2.6 إتاحة الجهاز للعمل مع وظيفة الحماية من السرقة TPS

1. قم بإدخال القابس الكهربائي لمثقاب التجاويف الماسي في المقبس.
  2. اضغط على زر إعادة الضبط "Reset" أو الزر "I" الخاص بمفتاح الحماية من تسرب التيار PRCD.
- ⇨ فتومض اللمبة الصفراء لوظيفة الحماية من السرقة.



3. قم بتثبيت مفتاح الإتاحة مباشرة على رمز القفل.  
 ⇨ عند انطفاء اللبنة الصفراء لوظيفة الحماية من السرقة يكون الجهاز مستعداً للعمل.

**i** في حالة انقطاع التيار الكهربائي، يظل المنتج مستعداً للعمل لمدة 20 دقيقة تقريباً. في حالات الانقطاع التي تستغرق وقتاً طويلاً نسبياً، فإنه يجب إيقاف فعالية وظيفة الحماية من السرقة مجدداً باستخدام مفتاح الإتاحة.

### 3.6 مفتاح الحماية من تسرب التيار PRCD

1. أدخل القابس الكهربائي لمثقاب التجاويف الماسي في مقبس مجز بوصلة تأريض.
2. اضغط على الزر "1" أو "RESET" الموجود بمفتاح حماية من تسرب التيار PRCD.  
 ⇨ يضيء المبين.
3. اضغط على الزر "0" أو "TEST" الموجود بمفتاح حماية من تسرب التيار PRCD.  
 ⇨ ينطفئ المبين.

#### تحذير ⚠

**خطر الإصابة بسبب حدوث صدمة كهربائية!** إذا لم ينطفئ البيان الخاص بوصلة الحماية من تسرب التيار عند الضغط على المفتاح 0 أو TEST، يجب عدم تشغيل جهاز ثقب التجاويف الماسية بعد ذلك!  
 ▶ احرص على إصلاح مثقاب التجاويف الماسي لدى مركز خدمة Hilti.

4. اضغط على الزر "1" أو "RESET" الموجود بمفتاح حماية من تسرب التيار PRCD.  
 ⇨ يضيء المبين.

### 4.6 تشغيل مثقاب التجاويف الماسي دون شفاط المواد الرطبة

1. افتح منظم الماء ببطء إلى أن تتدفق الكمية المرغوبة من الماء.

**i** يمكن تشغيل جهاز ثقب التجاويف الماسية مع أو دون نظام تجميع الماء. باستخدام نظام تجميع الماء، يتم تصريف ماء الحفر عبر خرطوم، دون نظام تجميع الماء الذي يتم تشغيله بطريقة خارجية عن السيطرة. عند التشغيل باستخدام نظام تجميع الماء، قم أولاً بتركيب نظام تجميع الماء ← صفحة 131. في كلا التطبيقين، لا يسمح بالثقب لأعلى.

2. اضغط على مفتاح التشغيل/الإيقاف "1".
3. افتح مثبت الزلافة.
4. أدر طربوش الثقب الماسي على السطح الذي سوف تجري العمل عليه عن طريق الطارة اليدوية.
5. عند بدء الثقب، اضغط طربوش الثقب برفق إلى أن يتمركز، ثم قم بزيادة الضغط بعد ذلك.
6. احرص على مراعاة مابين قدرة الثقب.

**i** يضيء مابين قدرة الثقب باللون البرتقالي في البداية. ويتم الوصول إلى قدرة الثقب المثالية عندما يضيء مابين قدرة الثقب باللون الأخضر. قم بتقليل ضغط الكبس لمابين قدرة الثقب الأحمر.

### 5.6 تشغيل جهاز ثقب التجاويف الماسية مع شفاط المواد الرطبة

#### تحذير ⚠

**خطر بسبب حدوث صدمة كهربائية!** في حالة تلف تجهيز الشفط، يمكن للماء أن يسيل فوق المحرك أو الغطاء! ⇨ توقف عن العمل فوراً في حالة توقف الشفط.

1. قم بتركيب نظام تجميع الماء ← صفحة 131 ثم قم بتوصيل شفاط المواد الرطبة.
2. قم بتشغيل شفاط الماء، ولا تستخدم الطريقة الأوتوماتيكية.
3. افتح منظم الماء ببطء إلى أن تتدفق الكمية المرغوبة من الماء.
4. اضغط على مفتاح التشغيل/الإيقاف "1".
5. افتح مثبت الزلافة.
6. أدر طربوش الثقب الماسي على السطح الذي سوف تجري العمل عليه عن طريق الطارة اليدوية.
7. عند بدء الثقب، اضغط طربوش الثقب برفق إلى أن يتمركز، ثم قم بزيادة الضغط بعد ذلك.



**i** يضيء مابين قدرة الثقب باللون البرتقالي في البداية. ويتم الوصول إلى قدرة الثقب المثالية عندما يضيء مابين قدرة الثقب باللون الأخضر. قم بتقليل ضغط الكيس لمابين قدرة الثقب الأحمر.

### 6.6 خطوات العمل عند زرجنة طربوش الثقب

في حالة الانحصار يتم حل الفارنة الانزلاقية أولاً. بعد ذلك، تقوم الوحدة الإلكترونية بإيقاف المحرك أوتوماتيكياً ودون تدخل يدوي من المستخدم سواء لأول أو ثاني مرة. وإذا لم يؤد ذلك إلى حل الانحصار، تقوم الوحدة الإلكترونية بإيقاف المحرك لمدة 90 ثانية. يمكنك حل الانحصار يدوياً كما يلي:

#### 1.6.6 فك طربوش الثقب عن طريق المفتاح الهلالي

1. اسحب القابس الكهربائي من المقبس.
2. أمسك طربوش الثقب الماسي بالقرب من طرف إدخاله باستخدام مفتاح هلالى مناسب ثم قم بفك طربوش الثقب الماسي بتدويره.
3. أدخل القابس الكهربائي في المقبس.
4. واصل عملية الثقب.

#### 2.6.6 فك طربوش الثقب عن طريق الطارة اليدوية

1. اسحب القابس الكهربائي من المقبس.
2. قم بفك طربوش الثقب من السطح الذي تُجرى العمل عليه عن طريق الطارة اليدوية.
3. أدخل القابس الكهربائي في المقبس.
4. واصل عملية الثقب.

### 7.6 إيقاف مثقاب التجايف الماسي 10

#### تحذير

**خطر على الأشخاص والغمات.** عند القيام بأعمال ثقب أعلى يمتلئ طربوش الثقب الماسي بالماء. قد يتعرض مثقاب التجايف الماسي للتلف وتزيد خطورة حدوث الصعق الكهربائي.

◀ عند الانتهاء من أعمال الثقب لأعلى، يجب أن تكون أول خطوة تقوم بها هي تصريف الماء بحرص. وللقيام بذلك يتم قطع الإمداد بالماء عن طريق منظم الماء وتصريف الماء بفتح منظم الماء. ولا يجوز أن يسيل الماء فوق المحرك أو الغطاء.

1. قم بتوصيل منظم الماء بمثقاب التجايف الماسي.
2. أخرج طربوش الثقب الماسي من الثقب المحفور.
3. قم بتثبيت جهاز ثقب التجايف الماسية باستخدام مثبت الزلافة.
4. أوقف مثقاب التجايف الماسي.
5. أوقف شفاط المواد الرطبة إذا كان موجوداً.

### 8.6 خلع جهاز الثقب الماسي

1. اسحب القابس الكهربائي من المقبس.
2. لخلع طربوش الثقب، انظر موضوع «فك طربوش الثقب الماسي» - صفحة 132.
3. عند الضرورة، قم بإزالة ناتج الثقب.
4. قم بخلع جهاز ثقب التجايف الماسية من السطح الذي تُجرى العمل عليه.

**i** إذا قمت بفك النظام كوحدة واحدة، يتم ترميك الجهاز بالكامل إلى الأشقل على القضيب بعد الإيقاف، خذى يلامس طربوش الثقب موضع الشغل. وبالتالي، يعمل ذلك على تفادي انقلاب جهاز ثقب التجايف الماسية.



## 1.7 العناية والصيانة

## تحذير ⚠

**خطر بسبب حدوث صدمة كهربائية** إجراء أعمال العناية والصيانة بينما القابس الكهربائي مركب قد يتسبب في إصابات بالغة والإصابة بحروق.

احرص على سحب القابس الكهربائي قبل جميع أعمال الإصلاح والعناية!

## العناية

- قم بإزالة الاتساخ الملصق برص.
- قم بتنظيف فتحات التهوية برص باستخدام فرشاة جافة.
- نظف جسم الجهاز باستخدام قطعة قماش مبللة بعض الشيء. لا تستخدم مواد عناية تحتوي على السيليكون لما قد تتسبب فيه من الإضرار بالأجزاء البلاستيكية.

## الصيانة

## تحذير ⚠

**خطر الصعق الكهربائي!** قد تؤدي أعمال الصيانة التي تتم على الأجزاء الكهربائية بشكل غير سليم إلى حدوث إصابات خطيرة وإصابة بحروق.

لا يجوز إجراء إصلاحات على الأجزاء الكهربائية إلا من خلال متخصصين في الكهرباء.

- افحص جميع الأجزاء المرئية من حيث وجود أضرار وافحص عناصر الاستعمال من حيث كفاءتها الوظيفية.
- في حالة وجود أضرار و/أو اختلالات وظيفية لا تتم بتشغيل المنتج. احرص على الفور على إصلاحه لدى مركز خدمة Hilti.
- بعد أعمال العناية والإصلاح قم بتركيب جميع تجهيزات الحماية وافحصها من حيث الأداء الوظيفي.

للتشغيل الآمن اقتصر على استخدام قطع الغيار الأصلية وخامات الشغل. تجد قطع الغيار وخامات الشغل والملحقات المصرح بها من قبلنا للمنتج الخاص بك في متجر **Hilti Store** أو على موقع الإنترنت: [www.hilti.group](http://www.hilti.group).

## 2.7 ضبط الخلوص بين القضيب والزلاقة

1. قم بربط براغي ضبط خلوص الزلاقة باستخدام المفتاح سداسي الرأس.

المواصفات الفنية	
أقصى عزم ربط	5 نيوتن متر

2. قم بفك براغي الضبط مرة أخرى بمقدار 1/4 لفة.
3. يُستدل على الضبط الصحيح للزلاقة عندما تثبت في موضعها بدون طربوش الثقب الماسي وتتحرك لأسفل بطربوش الثقب الماسي.

## 3.7 تغيير الفحمات الكربونية

## تحذير ⚠

**خطر الإصابة بسبب حدوث صدمة كهربائية!**

لا يجوز صيانة وإصلاح الجهاز إلا على أيدي أشخاص مؤهلين وعلى دراية بذلك! هؤلاء الأشخاص يجب أن يكونوا على دراية شاملة بالأخطار المحتملة.

## تحذير ⚠

**خطر بسبب حدوث صدمة كهربائية** إجراء أعمال العناية والصيانة بينما القابس الكهربائي مركب قد يتسبب في إصابات بالغة والإصابة بحروق.

احرص على سحب القابس الكهربائي قبل جميع أعمال الإصلاح والعناية!

1. افتح أغطية الفحمات الكربونية على يمين ويسار المحرك.
2. تأكد من كيفية تركيب الفحمات الكربونية وتمديد صفائر الأسلاك الكهربائية. أخرج الفحمات الكربونية المستهلكة من مثقاب التجايف الماسي.



3. أعد تركيب الفحمات الكربونية الجديدة بنفس الطريقة التي كانت عليها الفحمات الكربونية القديمة.

يراعى عند التركيب ألا تلحق الضرر بالمادة العازلة للأسلاك.



4. اربط أغطية الفحمات الكربونية على يمين ويسار المحرك.
  5. اترك الفحمات الكربونية تدور في الوضع الممايد لمدة دقيقة واحدة على الأقل دون توقف.
- ⇨ تنطفئ لمبة الإشارة بعد حوالي دقيقة واحدة من التشغيل.

## 8 النقل والتخزين

### النقل

- ◀ لا تنقل المنتج بينما الأداة مدخلة فيه.
- ◀ تأكد من الثبات الآمن أثناء النقل.
- ◀ احرص على فحص الأجزاء المرئية من حيث وجود أضرار بعد كل عملية نقل وافحص عناصر الاستعمال من حيث كفاءتها الوظيفية.

### التخزين

- ◀ احرص دائما عند تخزين المنتج على سحب القابض الكهربائي.
- ◀ قم بتخزين هذا المنتج وفي حالة جافة واحتفظ به بعيدا عن متناول الأطفال والأشخاص غير المصرح لهم.
- ◀ احرص على فحص الأجزاء المرئية من حيث وجود أضرار بعد النقل لمسافة طويلة وافحص عناصر الاستعمال من حيث كفاءتها الوظيفية.

## 1.8 نقل جهاز ثقب التجاويف الماسية

### تحذير



**خطر الإصابة!** قد تنحل الأجزاء المنفردة وتسقط.  
 ▶ لا تقم بتعليق مثقاب التجاويف الماسي و/أو حامل المثقاب في رافعة.

- ◀ انقل جهاز ثقب التجاويف الماسية، حامل المثقاب وطربوش الثقب بشكل منفصل.
- ⇨ لتسهيل عملية النقل استخدم آلية المركبة (ملحق تكميلي).
- ◀ افتح منظم الماء قبل تخزين مثقاب التجاويف الماسي.

## 9 المساعدة في حالات الاختلالات

- ◀ عند حدوث اختلالات غير مذكورة في الجدول أو يتعذر عليك معالجتها بنفسك، فيرجى التوجه إلى مركز خدمة Hilti.

## 1.9 يتعذر تشغيل مثقاب التجاويف الماسي

الخلل	السبب المحتمل	الحل
 لا يظهر أي شئ بمبين الخدمة.	لا يتم تشغيل مفتاح PRCD.	<ul style="list-style-type: none"> <li>◀ افحص مفتاح PRCD من حيث قابليته للتشغيل وقم بتشغيله.</li> </ul>
	انقطاع الإمداد بالتيار الكهربائي.	<ul style="list-style-type: none"> <li>◀ قم بتوصيل جهاز كهربائي آخر وافحص التشغيل.</li> <li>◀ افحص الوصلات المقبسية، كابل الكهرباء، وصلة الكهرباء والمصبر الكهربائي.</li> </ul>
	مفتاح التشغيل/الإيقاف به عطل.	<ul style="list-style-type: none"> <li>◀ اعمل على إصلاح الجهاز لدى خدمة Hilti.</li> </ul>
	عطل في المجموعة الإلكترونية.	<ul style="list-style-type: none"> <li>◀ اعمل على إصلاح الجهاز لدى خدمة Hilti.</li> </ul>
	يوجد ماء في المحرك.	<ul style="list-style-type: none"> <li>◀ اترك مثقاب التجاويف الماسي يجف تماما بوضعه في مكان جاف ودافئ.</li> </ul>



الخلل	السبب المحتمل	الحل
<p>مبين الخدمة يضيء.</p>	تآكل الفحمتا الكربونية.	<ul style="list-style-type: none"> <li>قم بتغيير الفحمتا الكربونية. ← صفحة 135</li> </ul>
<p>مبين الخدمة يومض.</p>	خطأ في عدد اللفات.	<ul style="list-style-type: none"> <li>اعمل على إصلاح الجهاز لدى خدمة Hilti.</li> </ul>
<p>يومض مبين قدرة الثقب باللون الأحمر.</p>	المحرك شديد السخونة.	<ul style="list-style-type: none"> <li>انتظر لبضع دقائق إلى أن يبرد المحرك أو اجعل طربوش الثقب الماسي يدور على الوضع الممايد لتسريع عملية التبريد.</li> <li>قم بإيقاف مثقاب التجاويف الماسي ثم أعد تشغيله.</li> </ul>
<p>يومض مؤشر الحماية من السرقة.</p>	خطأ بسبب التحميل الزائد.	<ul style="list-style-type: none"> <li>قم بإيقاف مثقاب التجاويف الماسي ثم أعد تشغيله.</li> </ul>
<p>يومض مؤشر الحماية من السرقة.</p>	مثقاب التجاويف الماسي غير متاح للعمل (بالنسبة لمثقاب التجاويف الماسي المزود بوظيفة الحماية من السرقة، تجيز اختياري).	<ul style="list-style-type: none"> <li>قم بإتاحة المثقاب للتجاويف الماسي للعمل عن طريق مفتاح الإتاحة.</li> </ul>

## 2.9 يمكن تشغيل مثقاب التجاويف الماسي

الخلل	السبب المحتمل	الحل
<p>مبين الخدمة يضيء.</p>	اقتراب الوصول إلى حد تآكل الفحمتا الكربونية. لا يزال هناك عدة ساعات من فترة التشغيل المتبقية حتى الإيقاف الأوتوماتيكي لمثقاب التجاويف الماسي.	<ul style="list-style-type: none"> <li>قم بتغيير الفحمتا الكربونية في أقرب فرصة ممكنة.</li> </ul>
<p>مثقاب التجاويف الماسي لا ينتج القدرة الكاملة.</p>	عطل بشبكة الكهرباء - حدث انخفاض للجهد بالشبكة الكهربائية.	<ul style="list-style-type: none"> <li>تحقق مما إذا كان هناك أجهزة أخرى مستهلكة تؤدي إلى تعطل شبكة الكهرباء أو المولد في حالة وجوده.</li> <li>تحقق من طول كابل الإطالة المستخدم.</li> </ul>
<p>طربوش الثقب الماسي لا يدور.</p>	مفتاح صندوق التروس غير مثبت في موضعه.	<ul style="list-style-type: none"> <li>استمر في ضغط مفتاح صندوق التروس إلى أن يثبت في موضعه.</li> </ul>
<p>طربوش الثقب الماسي منحصر في موضع الشغل.</p>	<ul style="list-style-type: none"> <li>قم بفك طربوش الثقب الماسي باستخدام مفتاح هلالتي: اسحب القابس الكهربائي من المقبس. أمسك طربوش الثقب الماسي بالقرب من طرف إدخاله باستخدام مفتاح هلالتي مناسب ثم قم بفك طربوش الثقب الماسي بتدويره.</li> </ul>	<ul style="list-style-type: none"> <li>قم بفك طربوش الثقب الماسي باستخدام مفتاح هلالتي: اسحب القابس الكهربائي من المقبس. أمسك طربوش الثقب الماسي بالقرب من طرف إدخاله باستخدام مفتاح هلالتي مناسب ثم قم بفك طربوش الثقب الماسي بتدويره.</li> </ul>
<p>الثقب بالتشغيل على الحامل</p>	<ul style="list-style-type: none"> <li>أدر البطارية اليدوية وحاول فك طربوش الثقب الماسي من خلال الحركة لأعلى وأسفل.</li> </ul>	<ul style="list-style-type: none"> <li>أدر البطارية اليدوية وحاول فك طربوش الثقب الماسي من خلال الحركة لأعلى وأسفل.</li> </ul>



الخلل	السبب المحتمل	الحل
طربوش الثقب الماسي لا يدور.	خلل بمجموعة التروس.	◀ اعمل على إصلاح الجهاز لدى خدمة Hilti.
انخفاض سرعة الثقب.	الوصول إلى أقصى عمق للثقب.	◀ تخلص من ناتج الثقب واستخدم وسيلة إطالة لطرايش الثقب.
	ناتج الثقب منحصر في طربوش الثقب الماسي.	◀ قم بإزالة ناتج الثقب.
	مواصفات خاطئة لموضع الشغل.	◀ اختر مواصفات طرايش الثقب المناسبة.
	ارتفاع نسبة الفولاذ (يتم التعرف على ذلك عبر الماء الصافي المشتتم على البرادة المعدنية).	◀ اختر مواصفات طرايش الثقب المناسبة.
	تلف طربوش الثقب الماسي.	◀ افحص طربوش الثقب الماسي من حيث تعرضه للضرر واستبدله عند اللزوم.
	اختيار سرعة خاطئة.	◀ اختر السرعة الصحيحة.
	قوة الضغط منخفضة للغاية.	◀ قم بزيادة قوة الضغط.
	قدرة الجهاز منخفضة للغاية.	◀ اختر السرعة التالية المنخفضة.
	طربوش الثقب الماسي أملس.	◀ قم بشد طربوش الثقب الماسي على قرص شحذ.
	كمية الماء مرتفعة للغاية.	◀ قم بتقليل كمية الماء باستخدام منظم الماء.
	كمية الماء قليلة للغاية.	◀ افحص مصدر إمداد مثقاب التجاويف الماسي بالماء أو قم بزيادة كمية الماء باستخدام منظم الماء.
	المكعب مغلق.	◀ افتح المكعب.
	القارئة الانزلاقية تنفك قبل حلول الوقت المناسب أو تدور بشكل منفلت.	◀ اعمل على إصلاح الجهاز لدى خدمة Hilti.
	انكسار بنسة الخابور.	◀ قم بتغيير بنسة الخابور.
دوران الطارة اليدوية بدون مقاومة.	اتساح أو ضرر بطرف الإدخال/طرف تركيب الأدوات.	◀ قم بتنظيف طرف الإدخال أو ظرف تركيب الأدوات وقم بتزيينها أو استبدالها.
الماء يتسرب من رأس الشطف أو جسم صندوق التروس.	ضغط الماء مرتفع بشدة.	◀ قم بتقليل ضغط الماء.
الماء يتسرب من ظرف تركيب الأدوات أثناء التشغيل.	لم يتم ربط طربوش الثقب الماسي في ظرف تركيب الأدوات بالقدر الكافي.	◀ أحكم ربط طربوش الثقب الماسي. ◀ اخلع طربوش الثقب الماسي. ◀ أدر طربوش الثقب الماسي بمقدار 90° تقريباً حول محور طرايش الثقب. أعد تركيب طربوش الثقب الماسي.
	اتساح بطرف الإدخال/طرف تركيب الأدوات.	◀ قم بتنظيف وتزييت طرف الإدخال أو ظرف تركيب الأدوات.
	تلف جوانب ظرف تركيب الأدوات أو طرف الإدخال.	◀ افحص الجوانب واستبدله عند اللزوم.





الخلل	السبب المحتمل	الحل
يوجد خلوص كبير للغاية بنظام الثقب.	لم يتم ربط طربوش الثقب الماسي في طرف تركيب الأدوات بالقدر الكافي.	<ul style="list-style-type: none"> <li>أحكام ربط طربوش الثقب الماسي.</li> <li>اخلع طربوش الثقب الماسي.</li> <li>أدر طربوش الثقب الماسي بمقدار 90° تقريبا حول محور طرابيش الثقب. أعد تركيب طربوش الثقب الماسي.</li> </ul>
	تلف بطرف الإدخال/طرف تركيب الأدوات.	<ul style="list-style-type: none"> <li>افحص طرف الإدخال وظيفي الأدوات.</li> <li>تركيب الأدوات واستبدالها عند اللزوم.</li> </ul>
	يوجد خلوص كبير للغاية بالزلاقة.	<ul style="list-style-type: none"> <li>اضبط الخلوص بين القضبان والزلاقة. ← صفحة 135</li> </ul>
	وصلات القلاووظ بحامل المثقاب سائبة.	<ul style="list-style-type: none"> <li>تأكد من إحكام ربط البراغي بحامل المثقاب وأعد ربطها جيدا عند اللزوم.</li> </ul>
	تم تثبيت حامل المثقاب بمقدار غير كافي.	<ul style="list-style-type: none"> <li>قم بتثبيت حامل المثقاب بشكل أفضل.</li> </ul>

## 10 التكبين

أجهزة Hilti مصنوعة بنسبة كبيرة من مواد قابلة لإعادة التدوير. يشترط إعادة التدوير أن يتم فصل الخامات بشكل سليم فنيا. في العديد من الدول تقوم شركة Hilti باستغلال الأجهزة القديمة لإعادة تدويرها. وللعلومات حول ذلك اتصل بخدمة عملاء Hilti أو الموزع القريب منك.

← لا تعلق الأدوات الكهربائية، الأجهزة الإلكترونية والبطاريات ضمن القمامة المنزلية!



## 11.10 المعالجة الأولية عند التخلص من أحوال الثقب

انتبه من المنظور البيئي لإشكالية التخلص من الأحوال الناتجة عن الثقب بإلقائها في المسطحات المائية أو قنوات الصرف الصحي دون مرورها بمعالجة أولية مناسبة. استعلم من السلطات المحلية عن اللوائح المعمول بها.

1. اجمع الأحوال الناتجة عن الثقب (باستخدام شفاط للماء مثلا).
2. اترك الأحوال الناتجة عن الثقب تترسب وتخلص من المكونات الصلبة بإلقائها في مستودع لتجميع مخلفات البناء (يمكن للملثبات أن تعجل عملية الفصل بين السائل والمكونات الصلبة).
3. قبل تصريف الماء المتبقي (قلوي، تركيز  $pH < 7$ ) اعمل على تخليصه من المواد الضارة من خلال خلطه بمادة تمييد حمضية أو عن طريق تخفيفه بكمية وفيرة من الماء.

## 11 مواصفة RoHS (مواصفة تقييد استخدام المواد الخطيرة)

تجد جدول المواد الخطيرة تحت الرابط التالي: (DD 120) [qr.hilti.com/r3677](http://qr.hilti.com/r3677).  
تجد رابط خاص بجدول المواد التي تخص المواصفة RoHS في نهاية هذا المستند على هيئة كود QR.

## 12 ضمان الجهة الصانعة

← في حالة وجود أية استفسارات بخصوص شروط الضمان، يرجى التوجه إلى وكيل Hilti المحلي الذي تتعامل معه.



# 1 文書について

## 1.1 本書について

- ご使用前に本書をすべてお読みください。このことは、安全な作業と問題のない取扱いのための前提条件となります。
- 本書および製品に記載されている安全上の注意と警告表示に注意してください。
- 取扱説明書は常に製品とともに保管し、他の人が使用する場合には、製品と取扱説明書を一緒にお渡しください。

## 1.2 記号の説明

### 1.2.1 警告表示

警告表示は製品の取扱いにおける危険について警告するものです。以下の注意喚起語が使用されています：



**危険**

危険！

▶ この表記は、重傷あるいは死亡事故につながる危険性がある場合に注意を促すために使われます。



**警告**

警告！

▶ この表記は、重傷あるいは死亡事故につながる可能性がある場合に注意を促すために使われます。



**注意**

注意！

▶ この表記は、軽傷あるいは物財の損傷が発生する可能性がある場合に使われます。

### 1.2.2 本書の記号

本書では、以下の記号が使用されています：

	使用前に取扱説明書をお読みください
	本製品を効率良く取り扱うための注意事項や役に立つ情報
	リサイクル可能な部品の取扱い
	工具およびバッテリーを一般ゴミとして廃棄してはなりません

### 1.2.3 図中の記号

図中では以下の記号が使用されています：

	この数字は本取扱説明書冒頭にある該当図を示しています
	付番は図中の作業手順の順序に対応していて、本文の作業手順とは一致しない場合があります
	概要図には項目番号が付されていて、製品概要セクションの凡例の番号に対応しています
	この記号は、製品の取扱いの際に特に注意が必要なことを示しています。

## 1.3 製品により異なる記号

### 1.3.1 義務表示

以下の義務表示が使用されています：

	アイシールドを着用してください
	保護ヘルメットを着用してください



	耳栓を着用してください
	保護手袋を着用してください
	安全靴を着用してください
	防じんマスクを着用してください

### 1.3.2 製品に表示されている記号

製品には以下の記号が使用されている場合があります：

	盗難防止インジケータ
	サービスインジケータ
	パワーインジケータ
	保護接地
$n_0$	無負荷回転数
	無線データ転送

## 1.4 注意事項表示

ドリルスタンド、ベースプレートまたはダイヤモンドコアドリルに表示

	<p><b>バキュームベースプレートに表示</b></p> <p>上図：バキュームベースプレートを接続して水平方向の穿孔作業をする場合には、ドリルスタンドを固定させるための付加的な措置を施さなければなりません。</p> <p>下図：バキュームプレートによる固定では、追加の固定具なしで上向き穿孔を行ってはなりません。</p>
	<p><b>ダイヤモンドコアドリルに表示</b></p> <p>上向きの施工時には、必ず湿式バキュームクリーナーに接続した水処理システムを使用してください。</p>
	<p><b>ダイヤモンドコアドリルに表示</b></p> <p>必ず正常に作動する漏電遮断器を使用してください。</p>

## 1.5 製品情報

**HILTI** 製品はプロ仕様で製作されており、その使用、保守、修理を行うのは、認定を受けトレーニングされた人のみに限ります。これらの人は、遭遇し得る危険に関する情報を入手していなければなりません。製品およびアクセサリの使用法を知らない者による誤使用、あるいは規定外の使用は危険です。機種名および製造番号は銘板に表示されています。



2215649

日本語 141

- ▶ 製造番号を以下の表に書き写しておいてください。ヒルティ代理店やサービスセンターへお問い合わせの際には、製品データが必要になります。

#### 製品データ

ダイヤモンドコアドリル	DD 120
製品世代	01
製造番号:	

## 1.6 適合宣言

当社は、単独の責任において本書で説明している製品が有効な基準と標準規格に適合していることを宣言します。適合宣言書の複写は本書の末尾にあります。

技術資料は本書の後続の頁に記載されています：

Hilti Entwicklungsgesellschaft mbH | Zulassung Geräte | Hiltistraße 6 | 86916 Kaufering, DE

## 2 安全

### 2.1 電動工具の一般安全注意事項

**⚠ 警告事項** 本電動工具に付属のすべての安全上の注意、指示事項、図、および製品仕様をお読みください。以下の指示を守らないと、感電、火災および / または重傷事故の危険があります。

安全上の注意および指示事項が書かれた説明書はすべて大切に保管してください。

安全上の注意で使用する用語「電動工具」とは、お手持ちの電動ツール（電源コード使用）またはバッテリーツール（コードレス）を指します。

#### 作業環境に関する安全

- ▶ 作業場はきれいに保ち、十分に明るくしてください。ちらかった暗い場所での作業は事故の原因となります。
- ▶ 爆発の危険性のある環境（可燃性液体、ガスおよび粉じんのある場所）では電動工具を使用しないでください。電動工具から火花が飛散し、粉じんや揮発性ガスに引火する恐れがあります。
- ▶ 電動工具の使用時、子供や無関係者を作業場へ近づけないでください。作業中に気がそらされると、本体のコントロールを失ってしまう恐れがあります。

#### 電気に関する安全注意事項

- ▶ 電動工具の接続プラグは電源コンセントにきちんと適合しなければなりません。プラグは絶対に変更しないでください。保護接地した電動工具と一緒にアダプタープラグを使用しないでください。オリジナルのプラグと適切なコンセントを使用することにより、感電の危険を小さくすることができます。
- ▶ バイブ、ラジエーター、電子レンジ、冷蔵庫などのアースされた面に体の一部が触れないようにしてください。体が触れると感電の危険が大きくなります。
- ▶ 電動工具を雨や湿気から保護してください。電動工具に水が浸入すると、感電の危険が大きくなります。
- ▶ 電動工具を持ち運んだり、吊り下げたり、コンセントからプラグを抜いたりするときは、必ず本体を持ち、電源コードを持って引く張ったりしないでください。電源コードを火気、オイル、鋭利な刃物、可動部等に触れる場所に置かないでください。電源コードが損傷したり絡まったりしていると、感電の危険が大きくなります。
- ▶ 屋外工事の場合には、必ず屋外専用の延長コードを使用してください。屋外専用の延長コードを使用すると、感電の危険が小さくなります。
- ▶ 湿った場所で電動工具を動作させる必要がある場合は、漏電遮断器を使用してください。漏電遮断器を使用すると、感電の危険が小さくなります。

#### 作業員に関する安全

- ▶ 電動工具を使用の際には、油断せずに十分注意し、常識をもった作業をおこなってください。疲れている場合、薬物、医薬品服用およびアルコール飲用による影響下にある場合には電動工具を使用しないでください。電動工具使用中の一瞬の不注意が重傷の原因となることがあります。
- ▶ 個人用保護具および保護メガネを常に着用してください。負傷の危険を低減するために、電動工具の使用状況に応じた粉じんマスク、耐滑性の安全靴、ヘルメット、耳栓などの個人用保護具を着用してください。
- ▶ 電動工具の意図しない始動を防止して下さい。電動工具を電源および / またはバッテリーに接続する前や本体を持ち上げたり運んだりする前に、本体がオフになっていることを必ず確認してください。オン / オフスイッチが入っている状態で電動工具のスイッチに指を掛けたまま運んだり、電源に接続したりすると、事故の原因となる恐れがあります。
- ▶ 電動工具のスイッチを入れる前に、必ず調節キーやレンチを取り外してください。調節キーやレンチが本体の回転部に装着されたままでは、けがの原因となる恐れがあります。



- ▶ 作業中は不安定な姿勢をとらないでください。足元を安定させ、常にバランスを保つようにしてください。これにより、万一電動工具が異常状況に陥った場合にも、適切な対応が可能となります。
- ▶ 作業に適した作業着を着用してください。だぶだぶの衣服や装身具を着用しないでください。髪、衣服、手袋を本体の可動部に近づけないでください。だぶだぶの衣服、装身具、長い髪が可動部に巻き込まれる恐れがあります。
- ▶ 吸じんシステムの接続が可能な場合には、これらのシステムが適切に接続、使用されていることを確認してください。吸じんシステムを利用することにより、粉じん公害を防げます。
- ▶ 電動工具の取扱いに熟練している場合にも、正しい安全対策を遵守し、電動工具に関する安全規則を無視しないでください。不注意な取扱いは、ほんの一瞬で重傷事故を招くことがあります。

#### 電動工具の使用および取扱い

- ▶ 無理のある使用を避けてください。作業用途に適した電動工具を使用してください。適切な電動工具の使用により、能率よく、スムーズかつ安全な作業が行えます。
- ▶ スイッチが故障している場合には、電動工具を使用しないでください。スイッチで始動および停止操作のできない電動工具は危険ですので、修理が必要です。
- ▶ 本体の設定やアクセサリの交換を行う前や本体を保管する前には電源プラグをコンセントから抜き、および / または脱着式のバッテリーを取り外してください。この安全処置により、電動工具の意図しない始動を防止することができます。
- ▶ 電動工具をご使用にならない場合には、子供の手の届かない場所に保管してください。電動工具に関する知識のない方、本説明書をお読みでない方による本体のご使用は避けてください。未経験者による電動工具の使用は危険です。
- ▶ 電動工具とアクセサリは慎重に手入れしてください。可動部分が引っ掛かりなく正常に作動しているか、電動工具の運転に影響を及ぼす各部分が破損・損傷していないかを確認してください。電動工具をご使用になる前に、損傷部分の修理を依頼してください。事故の多くは保守管理の不十分な電動工具の使用が原因となっています。
- ▶ 先端工具は鋭利で汚れのない状態を保ってください。お手入れのゆきとどいた先端工具を使用すると、作業が簡単かつ、スムーズになります。
- ▶ 電動工具、アクセサリ、先端工具などは、それらの説明書に記載されている指示に従って使用してください。その際は、作業環境および用途についてもご注意ください。指定された用途以外に電動工具を使用すると危険な状況をまねく恐れがあります。
- ▶ グリップとグリップ面は乾燥した清潔な状態に保ち、オイルやグリスの付着がないようにしてください。グリップやグリップ面が滑りやすい状態になっていると、予期していない状況が発生した際に電動工具を安全に使用 / 制御できません。

#### サービス

- ▶ 電動工具の修理は必ず認定サービスセンターにお申し付けください。また、必ず純正部品を使用してください。これにより電動工具の安全性が確実に維持されます。

## 2.2 ダイヤモンドドリルに関する安全上の注意

- ▶ 水を使用する必要がある穿孔作業を行う際は、作業領域から水を除去するか、あるいは水を受ける容器を使用してください。このような事前処置により作業領域を乾燥した状態に保ち、感電の危険を低減します。
- ▶ 隠れた電線や装置自体の電源コードに先端工具が接触する可能性のある作業を行う場合は、絶縁されたグリップ面を掴んで電動工具を使用してください。先端工具が通電状態の配線と接触すると電動工具の金属部分にも電圧がかかり、感電の危険があります。
- ▶ ダイヤモンドコアドリルによる穿孔の際は耳栓を着用してください。騒音により、聴覚に悪影響が出る恐れがあります。
- ▶ 先端工具がブロックした場合は、それ以上先端工具を送ることをしないで電動工具をオフにします。先端工具が噛んだことの原因を突き止め、その原因を取り除いてください。
- ▶ 作業材料に食い込んでいるダイヤモンドドリルを再スタートする際は、スイッチをオンにする前に先端工具が問題なく回転するか確認してください。先端工具は噛んでいると回転せず、そのため工具の過負荷、あるいはダイヤモンドドリルが作業材料から外れる原因となることがあります。
- ▶ アンカーおよびネジによりドリルスタンドを作業材料に固定する際は、使用するアンカー一具が機械の使用中被保持できるものであることを確認してください。作業材料が抵抗力のないものあるいは多孔性のものである場合は、アンカーが抜けてドリルスタンドが作業材料から外れる可能性があります。
- ▶ パキュームベースプレートによりドリルスタンドを作業材料に固定する際は、表面が滑らかで、汚れがなく、また多孔性でないことを確認してください。ドリルスタンドは、タイルおよび結合剤の層などの表層処理を施した面に固定しないでください。作業材料の表面が滑らかでない、平坦でない、あるいは固定が十分でない、パキュームベースプレートが作業材料から外れることがあります。
- ▶ 穿孔前および穿孔作業時に、負圧が十分であることを確認してください。負圧が十分でない、パキュームベースプレートが作業材料から外れることがあります。



- ▶ 機械がバキュームベースプレートのみで固定されている場合は、決して上向き穿孔および壁面への穿孔を行わないでください。負圧が失われると、バキュームベースプレートが作業材料から外れます。
- ▶ 壁面あるいは天井を貫通させて穿孔作業を行う場合は、反対側の作業領域およびそこにいる人員に危険が及ぶことがないか、注意してください。コアビットが穿孔穴から突出して、コアが反対側に落下する可能性があります。
- ▶ 上向き穿孔の際は、必ず取扱説明書に指定された水受け容器を使用してください。工具内に水が浸入しないように注意してください。電動工具に水が浸入すると、感電の危険が大きくなります。

### 2.3 その他の安全上の注意

#### 作業者に関する安全

- ▶ 本体の加工や改造は絶対に行わないでください。
- ▶ 本体は、体の弱い人が指示を受けずに使用するには向いていません。
- ▶ 本体は子供の手が届かないところに保管してください。
- ▶ 回転部分には手を触れないでください。本体の電源は必ず作業場で入れてください。回転部分、特に回転している先端工具は負傷の原因となります。
- ▶ ノ口に皮膚が触れないようにしてください。
- ▶ 含鉛塗料、特定の種類の木材、コンクリート / 石材、石英を含む岩石、鉱物および金属などの母材から生じた粉じんは、健康を損なう危険があります。作業者や近くにいる人が粉じんに触れたり吸い込んだりすると、アレルギー反応や呼吸器疾患を起こす可能性があります。カシヤブナ材などの特定の粉じんは、特に木材処理用の添加剤（クロム塩酸、木材保護剤）が使用されている場合、発ガン性があるとされています。アスベストが含まれる母材は、必ず専門家が取り扱うようにしてください。できるだけ有効な集じん装置を使用してください。これには、本電動工具に適したHilti推奨の木材および / または鉱物粉じん用可動集じん装置を使用してください。作業場の換気に十分配慮してください。それぞれの粉じんに適した防じんマスクの着用を推奨します。処理する母材について、各国で効力を持つ規定を遵守してください。
- ▶ ダイヤモンドコアドリルおよびダイヤモンドコアビットは重いので注意してください。身体の一部を挫傷する危険があります。本体使用中、作業者および現場で直近に居合わせる人々は保護メガネ、保護ヘルメット、耳栓、保護手袋、安全靴を着用しなければなりません。

#### 電動工具の慎重な取扱いおよび使用

- ▶ 本体がドリルスタンドに正しく固定されていることを確認してください。
- ▶ 必ずドリルスタンドにエンドストップが取り付けられていることを確認してください。エンドストップが取り付けられていないと、安全に関わるエンドストップ機能が正しく作動しません。
- ▶ 先端工具がチャック機構に適合し、チャック内にしっかりと固定されていることを確認してください。

#### 電気に関する安全注意事項

- ▶ コンセント口が複数付いている延長コードに、複数の機器を同時に接続して使用しないでください。
- ▶ 本体は、必ずアース線付きの十分な長さの主電源に接続して使用してください。
- ▶ 作業を開始する前に、作業場に埋設された電線、ガス管や水道管がないかを金属探知機などで調査してください。例えば、作業中に誤って先端工具が電線に触れると、本体の金属部分とケーブルが通電する可能性があります。この場合、感電による重大な事故が発生する危険があります。
- ▶ キャリッジを動かす際に電源コードが損傷しないように注意してください。
- ▶ 本体を動作させる場合は、必ず同梱の漏電遮断器を使用してください（漏電遮断器のない装置は決して絶縁変圧器なしで使用しないでください）。ご使用前には毎回、漏電遮断器を点検してください。
- ▶ 本体の電源コードを定期的に点検し、コードに損傷がある場合は認定を受けた修理スペシャリストに交換を依頼してください。電動工具の電源コードが損傷した場合は、専用の承認された交換用電源コードと交換してください。交換用電源コードはヒルティサービスセンターにご注文ください。延長コードを定期的に点検し、損傷がある場合は交換してください。作業中、損傷した電源コード、延長コードには触れないでください。電源プラグをコンセントから抜きます。損傷した電源コードや延長コードは感電の原因となり危険です。
- ▶ 本体は、決して汚れた状態あるいは濡れた状態で使用しないでください。本体表面に埃（特に導電性の物質）が付着していたり、あるいは濡れていると、好ましくない条件下においては感電の原因となることがあります。したがって特に導電性のある物質に対する作業を頻繁に行う場合は、定期的にHiltiサービスセンターに本体の点検を依頼してください。

#### 作業場の安全確保

- ▶ 穿孔作業は現場監督者の許可を得て行ってください。建物およびその他の構造物への穿孔作業、特に鉄筋または鉄骨梁の除去は静力学に影響を及ぼします。
- ▶ 転倒を防止するために、ドリルスタンドが正しく固定されていない場合にはドリルスタンドに取り付けた本体を必ず最低位置にしてください。
- ▶ 電源および延長ケーブル、吸引およびバキュームホースを回転部分から遠ざけてください。



- ▶ 湿式穿孔での上向きの施工時には、湿式バキュームクリーナーに接続した水処理システムを必ず使用してください。
- ▶ 上向きの施工時には、追加の固定具なしでのバキュームによる固定は禁止されています。
- ▶ バキュームベースプレート（アクセサリ）を接続して水平方向の穿孔作業をする場合には、必ずドリルスタンドを固定させるための付加的な措置を施してください。

### 3 製品の説明

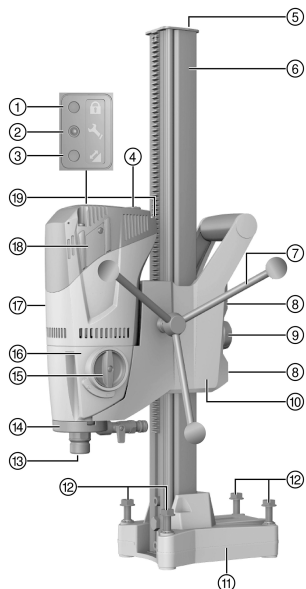
#### 3.1 正しい使用

本書で説明している製品は、電動ダイヤモンドコアドリルです。本製品は、スタンド支持による湿式穿孔で（鉄筋の入った）鉋物母材に貫通穿孔および非貫通穿孔を行うためのものです。ダイヤモンドコアドリルの手持ち使用は認められません。

本書で説明している製品はプロ仕様で製作されており、使用、保守、修理を行うのは、認定、訓練された人のみに限ります。これらの方は、遭遇し得る危険に関する情報を入手していなければなりません。本書で説明している製品およびそのアクセサリのトレーニングを受けていない者による誤使用、あるいは規定外の使用は危険です。

- ▶ ダイヤモンドコアドリルを使用する際は、常にドリルスタンドを使用してください。ドリルスタンドは、アンカーベースプレートあるいはバキュームベースプレートにより母材に確実に固定されていなければなりません。
- ▶ ベースプレートの調整作業を行う際には、衝撃の大きな工具（ハンマーなど）を使用しないでください。
- ▶ 本体を接続する主電源が銘板に表示されている電圧、周波数と一致することを必ず確認した上で使用してください。
- ▶ 各国の労働安全衛生法に従ってください。
- ▶ ご使用になるアクセサリの安全および操作上の注意事項にもご留意ください。
- ▶ 怪我の可能性を防ぐため、必ずHilti 純正のアクセサリやコアビットのみを使用してください。

#### 3.2 各部名称 1



#### DD 120 ダイヤモンドコアドリル

- ① 盗難防止インジケーター（オプション）
- ② サービスインジケーター
- ③ パワーインジケーター
- ④ ON/OFF スイッチ
- ⑤ エンドストップ
- ⑥ コラム
- ⑦ ハンドル
- ⑧ キャリッジ遊び調整ネジ（4x）
- ⑨ キャリッジロック機構
- ⑩ キャリッジ
- ⑪ アンカーベースプレート
- ⑫ レベル調整ネジ（4x）
- ⑬ チャック
- ⑭ ウォータースイベル
- ⑮ ギア選択スイッチ
- ⑯ ギア部
- ⑰ モーター
- ⑱ カーボンブラシカパー
- ⑲ 漏電遮断器付き電源コード

#### 3.2.1 バキュームベースプレート（アクセサリ） 2

- ⑳ クランピングスピンドル
- ㉑ バキュームリリースバルブ
- ㉒ バキュームホース
- ㉓ バキュームシール
- ㉔ 圧力ゲージ



2215649

### 3.2.2 固定

- ⑳ クランピングスピンドル
- ㉑ アンカー

- ㉒ クランピングスピンドルナット

### 3.2.3 水処理システム

- ㉓ ウォーターコレクターホルダー

- ㉔ ウォーターコレクター

## 3.3 サービスインジケータ

本製品はサービスインジケータを装備しています。

## 3.4 本体標準セット構成

ダイヤモンドコアドリル、ハンドル、取扱説明書。

ドリルスタンドは別個に納品されます。その他の本製品用に許可されたシステム製品については、弊社営業担当または **Hilti Store** にお問い合わせいただくか、あるいは [www.hilti.group](http://www.hilti.group) でご確認ください。

## 3.5 発電機または変圧器を使用する場合

当本体は下記の条件を満たした場合、発電機および変圧器で使用することができます。本体の銘板に記載された出力の2倍以上の最大出力（ワット）があること、作動電圧が常に定格電圧の+5%...-15%であること、周波数が50...60 Hzであること、決して65 Hzを超えないこと、自動電圧調整器とスタート時増幅機能があること。



他の工具を、同時にスイッチオン / オフすることにより、電圧降下あるいは過電圧が発生し、本体に損傷を与えることがあります。

## 4 製品仕様

### 4.1 製品仕様

重量 (コラム 600 mm) EPTA プロシージャ01 準拠	9.8 kg
最大許容水圧	6 bar
無負荷回転数 1 速	740/min
無負荷回転数 2 速	1,580/min
ショートコラムのドリルスタンドの寸法 (長さ x 幅 x 高さ)	330 mm x 147 mm x 600 mm
ミディアムコラムのドリルスタンドの寸法 (長さ x 幅 x 高さ)	330 mm x 147 mm x 720 mm
ロングコラムのドリルスタンドの寸法 (長さ x 幅 x 高さ)	330 mm x 147 mm x 830 mm
絶縁クラス	クラス I (アースが必要)

### 4.2 コアビット径と対応するギア



\* 銘板に記載されている本体のコアビット径の表示を確認してください。

鉄筋の少ないコンクリート母材では、穿孔スピードをアップするために  $\varnothing$  82 mm (3 1/2 インチ) 以下で2速を使用することができます。

ギア	コアビット直径	無負荷回転数
1	57 ... 132 (*162) mm	740/min
2	16 ... 52 mm	1,580/min

### 4.3 騒音および振動値について (EN 62841 準拠)

本説明書に記載されているサウンドプレッシャー値および振動値は、規格に準拠した測定方法に基づいて測定したものです。電動工具を比較するのにご使用いただけます。曝露値の暫定的な予測にも適しています。記載されているデータは、電動工具の主要な使用方法に対する値です。電動工具を他の用途で使用したり、異なる先端工具を取り付けて使用したり、手入れや保守が十分でないまま使用した場合には、データが異なることがあります。このような相違により、作業時間全体で曝露値が著しく高くなる可能性があります。





曝露値を正確に予測するためには、本体のスイッチをオフにしている時間や、本体が作動していても実際には使用していない時間も考慮しなければなりません。このような相違により、作業時間全体で曝露値が著しく低くなる可能性があります。

作業者を騒音および/または振動による作用から保護するために、他にも安全対策を立ててください（例：電動工具および先端工具の手入れや保守、手を冷やさないようにする、作業手順の編成）。

#### 騒音について

サウンドパワーレベル	102 dB
排出サウンドプレッシャーレベル	89 dB
定格サウンドプレッシャーレベルに対する不確実性	3 dB

#### 振動値

コンクリートへの穿孔 (湿式)、 $a_h$	2.5 m/s <sup>2</sup>
不確実性 (K)	1.5 m/s <sup>2</sup>

## 5 作業準備

### 警告

**負傷の危険！** ドリルスタンドは、確実に固定されていないと回転したり傾いたりすることがあります。

- ▶ ダイヤモンドコアドリルを使用する前に、アンカーまたはバキュームベースプレートによりドリルスタンドを作業を行う母材に固定してください。
- ▶ 必ず母材に適したアンカーを使用し、アンカーメーカーの取付け指示に従ってください。
- ▶ バキュームベースプレートは、母材がバキュームによるドリルスタンドの固定に適したものである場合のみ使用するようにしてください。

### 5.1 ハンドルをダイヤモンドコアドリルに取り付けます。

1. 割ピンを取り外してハンドルをシャフトに差し込みます。
2. ハンドルを割ピンで固定します。



ハンドルはキャリッジの両側に取り付けることができます。

### 5.2 ダイヤモンドコアドリルをドリルスタンドに固定する

#### 注意

**負傷の危険** ダイヤモンドコアドリルの意図しない始動による危険。

- ▶ セットアップ作業時には、ダイヤモンドコアドリルが主電源に接続されてはなりません。

1. アレンレンチで内側のネジを緩めます。
2. コラムからエンドストップを取り外します。
3. 回転ノブを完全に開いてキャリッジロック機構を開きます。
4. ダイヤモンドコアドリルを所定の開口部によりコラムに取り付けます。
5. ハンドルを使用して、ダイヤモンドコアドリルを完全にコラムに取り付けます。
6. キャリッジロック機構を完全に閉じてダイヤモンドコアドリルをロックします。
7. ハンドルを軽く回してダイヤモンドコアドリルが確実に固定されているか確認します。
8. エンドストップをコラムに取り付け、確実に取り付けられているか確認します。



キャリッジの遊びをチェックし、必要に応じて調整します。→ 頁 153

### 5.3 ドリルスタンドをアンカーで固定する

#### 警告

**アンカーの誤った使用による負傷の危険！** 本体が外れて損傷の原因となることがあります。

- ▶ 母材に適したアンカーを使用し、アンカーメーカーの取付け指示にしたがってください。



**i** Hilti 金属系打込みアンカーM12 は、一般にダイヤモンドコアドリル装備を亀裂のないコンクリートに固定するのに適しています。しかしながら、特定の条件下では別の固定方法が必要となることもあります。確実な固定については、弊社営業担当またはHilti 代理店・販売店までお問い合わせください。

1. 母材に適したアンカーを穿孔穴中心から 203 mm (8 インチ) 離れた位置に打鉋してください。
2. アンカーにクランピングスピンドルをねじ込みます。
3. ベースプレートが母材と同じ高さになるまですべてのレベル調整ネジを戻します。
4. クランピングスピンドルによりドリルスタンドをセットし、位置を調整します。
5. クランピングスピンドルナットをクランピングスピンドルに取り付けます、ただし、ナットを一杯には締め付けしないでください。
6. 4本のレベル調整ネジを用いてベースプレートを水平にします。



すべてのレベル調整ネジが確実に母材と接触していなければなりません。

7. クランピングスピンドルナットと(SW 19) オープンエンドレンチを使用してドリルスタンドを固定します。
8. ドリルスタンドが確実に固定されているか点検します。

#### 5.4 ドリルスタンドをバキュームベースプレート (アクセサリ) で固定する



##### 危険

ダイヤモンドコアドリルの落下による負傷の危険！

- ▶ ドリルスタンドをバキュームベースプレートのみを使用して天井に固定することは許可されません。重量のあるサポートあるいはネジジャッキなどで追加の固定を確実なものにすることができます。



##### 警告

圧力の確認を怠ることによる負傷の危険！

- ▶ 穿孔前および穿孔中に、圧力ゲージの指針が緑の領域から出ないようにしなければなりません。



選択したコアビットがバキュームベースプレートを損傷することがないことを確認してください。ドリルスタンドの位置を合わせる前に、取付けおよび操作のための十分なスペースが確保されているか確認してください。バキューム固定は、直径 300 mm (12 インチ) 以下のコアビットをスパーサーなしで使用する場合に限られます。

1. 穿孔穴中心位置からダイヤモンドコアドリルを設置する方向に向かって約 800 mm (31.5 インチ) のガイド線を引きます。
2. 穿孔穴中心位置からガイド線に対して垂直に 203 mm (8 インチ) のマーキング線を引きます。
3. アンカーベースプレートが母材と同じ高さになるまですべてのレベル調整ネジを戻します。
4. ドリルスタンドをスピンドルによりバキュームベースプレートにセットします。
  - ▶ アンカーベースプレートがバキュームベースプレートのエンドストップと同じ高さになるようにします。
5. クランピングスピンドルナットとSW 19 オープンエンドレンチを使用してドリルスタンドを固定します。
6. バキュームベースプレートのバキュームホースをバキュームポンプに接続します。
7. バキュームポンプをオンにして、バキュームベースプレートを母材に押し付けます。
8. ダイヤモンドコアドリルの位置を調整するには、バキュームリリースバルブを押し続けてください。



位置調整には、アンカーベースプレートのマーキングとマーキング線を使用します。

9. バキュームリリースバルブを押すのをやめ、バキュームベースプレートを母材に押し付けます。
10. ドリルスタンドが確実に固定されているか点検します。
11. 必要に応じて 4本のレベル調整ネジを用いてダイヤモンドコアドリルを水平にします。



## 5.5 給水コネクター (アクセサリー) を取り付ける

### ⚠ 注意

誤った使用による危険！ 誤った使用によりホースが破損することがあります。

- ▶ 定期的にホースに損傷がないか点検し、最大許容給水圧が 6 bar を超えないことを確認してください。
- ▶ ホースが回転部分と接触していないことを確認してください。
- ▶ キャリッジフィードの時にホースが損傷しないように注意してください。
- ▶ 最高水温：40°C。
- ▶ 接続しているウォーターシステムに漏れがないかチェックしてください。



コンポーネントの損傷を防止するために、真水または汚れの粒子が含まれていない水のみを使用してください。

本体と給水ホースの間に水流計 (アクセサリー) を取り付けることができます。

1. ダイヤモンドコアドリルの給水コックを閉じます。
2. 給水のための接続を構築します (ホースコネクター)。

## 5.6 水処理システム (アクセサリー) を取り付ける

### ⚠ 警告

感電による危険！ 吸引装置が故障すると水がモーターやカバーまで流れることがあります！

- ▶ 吸引装置が機能しない場合は直ちに作業を中止してください。

### ⚠ 注意

負傷の危険！ 製品は意図せず動作することがあります。

- ▶ 本体の設定やアクセサリーの交換を行う前に電源プラグを抜いてください。



上向き穿孔の際は、ダイヤモンドコアドリルは天井に対して 90° の角度になければなりません。水処理システムのウォーターコレクターワッシャーは、ダイヤモンドコアビットの直径に適合したものでなければなりません。

水処理システムを使用するとコアビットから水を適切に除去できるため、周辺を汚すことがあります。

1. ドリルスタンドのネジを取り外します。
2. ネジを使用してウォーターコレクターホルダーをドリルスタンドに取り付けます。
3. シールを取り付けたウォーターコレクターとウォーターコレクターワッシャーを、ウォーターコレクターホルダーの 2 本の可動アームの間に取り付けます。
4. ウォーターコレクターをウォーターコレクターホルダーの 2 本のネジで母材に対して固定します。
5. ウォーターコレクターに湿式バキュームクリーナーを接続するか、水を排出させることのできるホースを接続します。

## 5.7 ダイヤモンドビットを装着する (BI+ チャック)

### ⚠ 危険

負傷の危険 作業材料や折れた先端工具の破片が飛散して、作業領域外の人員にも負傷を負わせる恐れがあります。

- ▶ 損傷した先端工具は使用しないでください。先端工具を使用する際は、その都度まず折損や亀裂、摩擦あるいは激しい摩耗のないことを確認してください。

### ⚠ 注意

負傷の危険！ 製品は意図せず動作することがあります。

- ▶ 本体の設定やアクセサリーの交換を行う前に電源プラグを抜いてください。



**i** 切断性能あるいは穿孔能力の低下が認められるようになったら、ダイヤモンドコアビットは直ちに交換する必要があります。一般的に、ダイヤモンドセグメントの高さが2 mm (1/16 インチ) 未満になったら交換する必要があります。

C-Rod、A-Rod、M27 および BR チャックは、SW 27 オープンエンドレンチを使用して操作します。

1. キャリッジロック機構を完全に閉じてダイヤモンドコアダリルをロックします。
2. チャック (BI+) をオープンマークの方向に回して開きます。
3. ダイヤモンドコアビットのチャック機構を、下からコアダリルのチャックに挿入し、ギアが噛み合うまで押し込みます。
4. チャックをクローズマークの方向に回して閉じます。
5. ダイヤモンドコアビットがチャックに確実に取り付けられているか点検します。

## 5.8 回転数を選択する

### 注意

**摩耗の危険 ギア部損傷の危険**

▶ 本体作動中にギアを切り替えないでください。スピンドルが停止するのをお待ちください。

1. 使用するコアビット直径に応じてギアを選択します。
2. スイッチを推奨位置に回します、その際同時に手でコアビットも回します。

## 5.9 ダイヤモンドビットを取り外す (BI+ チャック)

### 危険

**負傷の危険** 作業材料や折れた先端工具の破片が飛散して、作業領域外の人員にも負傷を負わせる恐れがあります。

▶ 損傷した先端工具は使用しないでください。先端工具を使用する際は、その都度まず折損や亀裂、摩損あるいは激しい摩耗のないことを確認してください。

### 注意

**負傷の危険!** 製品は意図せず作動することがあります。

▶ 本体の設定やアクセサリの交換を行う前に電源プラグを抜いてください。

**i** C-Rod、A-Rod、M27 および BR チャックでは、SW 27 オープンエンドレンチを使用して本体シャフトをロックし、適切なオープンエンドレンチでコアビットを取り外します。

1. キャリッジロック機構を完全に閉じてダイヤモンドコアダリルをロックします。
2. チャック (BI+) をオープンマークの方向に回して開きます。
3. 操作スリーブを矢印方向に引いてコアビットをロック解除します。
4. コアビットをチャック (BI+) から取り外します。

## 6 ご使用方法

### 6.1 盗難防止システムTPS (オプション)

お客様の製品には、オプションの盗難防止システムTPS機能が装備されている可能性があります。その場合には、製品をロック解除して使用できるようにするために付属のキーが必要になります。

### 6.2 盗難防止システム TPS 付き本体をロック解除する

1. ダイヤモンドコアダリルの電源プラグをコンセントに差し込みます。
2. 漏電遮断器の「Reset」または「I」ボタンを押します。
  - ▶ 黄色の盗難防止ランプが点滅します。



3. ロック解除キーをロックシンボルの直上に保持します。  
 ↳ 黄色の盗難防止ランプが消灯し、本体がロック解除されます。

**i** 電源供給が遮断された場合、製品は約 20 分間作動可能な状態に留まります。これより長い時間になっても電源供給が遮断された場合は、ロック解除キーにより盗難防止システムを改めて非作動にする必要があります。

### 6.3 漏電遮断器 (PRCD)

1. ダイヤモンドコアドリルの電源プラグをアース接続部付きコンセントに差し込みます。
2. 漏電遮断器 PRCD の「I」または「RESET」ボタンを押します。  
 ↳ 表示が点灯します。
3. 漏電遮断器 PRCD の「0」または「TEST」ボタンを押します。  
 ↳ 表示が消えます。

#### 警告

**感電による負傷の危険！** ボタン **0** または **TEST** を押した際に漏電遮断器の表示が消えない場合は、ダイヤモンドコアドリルの使用を続けてはなりません！

▶ 弊社営業担当または **Hilti** 代理店・販売店にダイヤモンドコアドリルの修理を依頼してください。

4. 漏電遮断器 PRCD の「I」または「RESET」ボタンを押します。  
 ↳ 表示が点灯します。

### 6.4 ダイヤモンドコアドリルを湿式バキュームクリーナーなして作動させる

1. 給水コックを、ご希望の水量に達するまでゆっくりと開きます。

**i** ダイヤモンドコアドリルは水処理システムとともに、水処理システムなしでも作動させることができます。水処理システムがある場合には穿孔水はホースを介して排出され、水処理システムがない場合には穿孔水はそのまま流出します。水処理システムとともに作動させる場合は、最初に水処理システムを取り付けてください。→ 頁 149  
 どちらの場合にも、上向き穿孔は認められません。

2. ON/OFF スイッチを押して「I」位置にします。
3. キャリッジロック機構を開きます。
4. ハンドルを回してダイヤモンドコアビットを母材に当てます。
5. 穿孔開始時には、ビットの中心が定まるまではコアビットは弱く母材に押し付けます、その後押し付けを強くしてください。
6. パワーインジケータを確認してください。

**i** パワーインジケータは最初にオレンジ色で点灯します。パワーインジケータが緑色で点灯していれば、理想的な穿孔パワーが得られています。パワーインジケータが赤色で点灯する場合は、押し付けを弱めてください。

### 6.5 ダイヤモンドコアドリルを湿式バキュームクリーナーとともに作動させる

#### 警告

**感電による危険！** 吸引装置が故障すると水がモーターやカバーまで流れることがあります！

▶ 吸引装置が機能しない場合は直ちに作業を中止してください。

1. 水処理システムを取り付け、→ 頁 149 湿式バキュームクリーナーを接続します。
2. 湿式バキュームクリーナーをオンにします、自動モードは使用しないでください。
3. 給水コックを、ご希望の水量に達するまでゆっくりと開きます。
4. ON/OFF スイッチを押して「I」位置にします。
5. キャリッジロック機構を開きます。
6. ハンドルを回してダイヤモンドコアビットを母材に当てます。
7. 穿孔開始時には、ビットの中心が定まるまではコアビットは弱く母材に押し付けます、その後押し付けを強くしてください。



## 8. パワーインジケーターを確認してください。



パワーインジケーターは最初にオレンジ色で点灯します。パワーインジケーターが緑色で点灯していれば、理想的な穿孔パワーが得られています。パワーインジケーターが赤色で点灯する場合は、押し付けを弱めてください。

### 6.6 コアビットが噛んだ場合

コアビットが鉄筋を噛んだ場合は、最初に安全クラッチが作動します。続いてエレクトロニクスによりモーターがオフになり、作業者が操作しなくても自動的に2回モーターが再始動されます。それでも噛み込みが解消されない場合は、エレクトロニクスにより電流が90秒間遮断されます。噛み込みを以下のようにして手で解消することができます：

#### 6.6.1 オープンエンドレンチを使ってコアビットを外す

1. 電源プラグをコンセントから抜きます。
2. コネクションエンド付近で適切なオープンエンドレンチを使ってダイヤモンドコアビットをはさみ、ダイヤモンドコアビットを回しながら外します。
3. 電源プラグをコンセントに差し込みます。
4. 穿孔工程を続けてください。

#### 6.6.2 ハンドルを使用してコアビットを外す

1. 電源プラグをコンセントから抜きます。
2. ハンドルを使用してコアビットを母材から外します。
3. 電源プラグをコンセントに差し込みます。
4. 穿孔工程を続けてください。

### 6.7 ダイヤモンドコアドリルの電源をオフにする

#### 警告

人および資材への危険 上向きの穿孔作業時にはコアビットが水で満たされます。ダイヤモンドコアドリルが損傷し、感電の危険が高まります。

▶ 上向きの穿孔作業を終了する時には、まず水を慎重に流し出してください。給水ホースを給水コックから外し、給水コックを開いて水を排出します。水があふれてモーターおよびエンドキャップまで流れないように注意してください。

1. ダイヤモンドコアドリルの給水コックを閉じます。
2. ダイヤモンドコアビットを穿孔穴から引き出します。
3. ダイヤモンドコアドリルをキャリッジロック機構でロックします。
4. ダイヤモンドコアドリルの電源をオフにします。
5. 湿式バキュームクリーナーがある場合には、そのスイッチをオフにします。

### 6.8 ダイヤモンドコアドリルの取外し

1. 電源プラグをコンセントから抜きます。
2. コアビットの取り外しについては、「ダイヤモンドコアビットを取り外す」の章を→頁150参照してください。
3. 必要な場合はコアを取り外します。
4. ダイヤモンドコアドリルを母材から取り外します。



システムを中断なく取り外すには、コアビットが母材に接触するまで本体を完全にコラムの下まで動かすことをお勧めします。これにより、ダイヤモンドコアドリルが倒れるのを防止できます。



## 7 手入れと保守

### 7.1 手入れと保守

#### 警告

**感電による危険！** 電源プラグをコンセントに接続した状態で手入れや保守を行うと、重傷事故および火傷の危険があります。

- ▶ 手入れや保守作業の前に、必ず電源プラグをコンセントから抜いてください。

#### 手入れ

- 強固に付着した汚れは慎重に除去してください。
- 通気溝を乾いたブラシで入念に清掃してください。
- ハウジングは必ず軽く湿らせた布で清掃してください。シリコンを含んだ清掃用具はプラスチック部品をいためる可能性があるので使用しないでください。

#### 保守

#### 警告

**感電による危険！** 電気部品の誤った修理は、重傷事故および火傷の原因となることがあります。

- ▶ 電気部品の修理を行うことができるのは、訓練された修理スペシャリストだけです。
- 目視確認可能なすべての部品について損傷の有無を、操作エレメントについては問題なく機能することを定期的に点検してください。
- 損傷および / または機能に問題のある場合は、本製品を使用しないでください。直ちにHilti サービスセンターに修理を依頼してください。
- 手入れおよび保守作業の後には、すべての安全機構を取り付けて機能を点検してください。



安全な作動のために、必ず純正のスペアパーツと消耗品を使用してください。本製品向けに弊社が承認したスペアパーツ、消耗品およびアクセサリは、弊社営業担当またはHilti Storeにお問い合わせいただくか、あるいは[www.hilti.group](http://www.hilti.group)。

### 7.2 コラムとキャリッジ間の遊びを調整する

1. キャリッジ遊び調整ネジをアレンレンチを使用して締め付けます。

#### 製品仕様

締め付けトルク

5 Nm

2. 調整ネジを再び 1/4 回転緩めます。
3. キャリッジが正しく調整されていると、ダイヤモンドコアビットがない場合キャリッジは動かず、ダイヤモンドコアビットを装着するとキャリッジは下に移動します。

### 7.3 カーボンブラシを交換する

#### 警告

**感電による負傷の危険！**

- ▶ 本体の使用、保守、修理を行うのは、認定、訓練された人のみに限ります！ これらの人は、遭遇し得る危険に関する情報を入力していなければなりません。

#### 警告

**感電による危険！** 電源プラグをコンセントに接続した状態で手入れや保守を行うと、重傷事故および火傷の危険があります。

- ▶ 手入れや保守作業の前に、必ず電源プラグをコンセントから抜いてください。

1. モーターの左側と右側のカーボンブラシカバーを開きます。
2. このときカーボンブラシの取り付け状態とコードの取り回しに注意してください。ダイヤモンドコアドリルから使用済みのカーボンブラシを取り出します。
3. 新品のカーボンブラシを、古いカーボンブラシが取り付けられていた位置に正確に取り付けます。



取り付け時にはコードの絶縁を損傷しないように注意してください。

4. モーターの左側と右側のカーボンブラシカバーをねじ締めします。



2215649

5. カーボンブラシをアイドリングで連続して1分以上慣らし運転します。
- 約1分の運転時間が経過すると信号ランプは消灯します。

## 8 搬送および保管

### 搬送

- 本製品は先端工具を装着した状態で搬送しないでください。
- 搬送の際に確実に固定されているか確認してください。
- 搬送の後にはその都度、目視確認可能なすべての部品について損傷の有無を、操作エレメントについて問題なく機能することを点検してください。

### 保管上の注意事項

- 本製品は、必ず電源プラグを抜いた状態で保管してください。
- 本製品は、乾燥している場所に、子供や権限のない人が手を触れることのないようにして保管してください。
- 長期にわたっての保管の後には、目視確認可能なすべての部品について損傷の有無を、操作エレメントについて問題なく機能することを点検してください。

### 8.1 ダイヤモンドコアドリルの搬送

#### 警告

負傷の危険！ 個々の部品が外れて落下する危険があります。

- ダイヤモンドコアドリルおよび / またはドリルスタンドはクレーンにかけないでください。

- ダイヤモンドコアドリル、ドリルスタンドおよびコアビットは別々に搬送してください。
  - 搬送を楽にするにはホイールアセンブリー（アクセサリ）をご使用ください。
- ダイヤモンドコアドリルを保管する前に、給水コックを開いてください。

## 9 故障時のヒント

- この表に記載されていない、あるいはご自身で解消することのできない故障が発生した場合には、弊社営業担当またはHilti サービスセンターにご連絡ください。

### 9.1 ダイヤモンドコアドリルが作動しない

故障	考えられる原因	解決策
<p>サーブインジケーターに何も表示されない。</p>	漏電遮断器がオンになっていない。	▶ 漏電遮断器が正しく作動するか点検し、漏電遮断器をオンにします。
	主電源が供給されていない。	▶ 他の電動工具を接続して機能を点検する。 ▶ プラグ接続、電源コード、電線および主電源ヒューズを点検する。
	ON/OFF スwitchの故障。	▶ ヒルティリペアセンターに修理を依頼する。
	エレクトロニクスの故障。	▶ ヒルティリペアセンターに修理を依頼する。
	モーター内への水の浸入。	▶ ダイヤモンドコアドリルを温かい乾燥した場所で完全に乾燥させます。
<p>サーブインジケーターが点灯。</p>	カーボンブラシの摩耗。	▶ カーボンブラシを交換します。→ 頁 153





故障	考えられる原因	解決策
<p>サービスインジケータが点滅。</p>	回転数の不具合。	▶ ヒルティリペアセンターに修理を依頼する。
<p>パワーインジケータが赤色で点滅。</p>	モーターの過熱。	▶ モーターが冷えるまで数分待機するか、あるいは冷却を促進させるためにダイヤモンドコアドリルをアイドルングで動作させます。ダイヤモンドコアドリルをオフにして、再びオンにします。
	過負荷エラー。	▶ ダイヤモンドコアドリルをオフにして、再びオンにします。
<p>盗難防止インジケータが点滅。</p>	ダイヤモンドコアドリルがロック解除されていない (盗難防止システム付きダイヤモンドコアドリル)。	▶ ロック解除キーでダイヤモンドコアドリルをロック解除します。

## 9.2 ダイヤモンドコアドリルが作動する

故障	考えられる原因	解決策
<p>サービスインジケータが点灯。</p>	間もなくカーボンブラシの摩耗限界に達する。ダイヤモンドコアドリルが自動的にオフになるまで、まだ数時間の残り作動時間がある。	▶ できるだけ早い機会にカーボンブラシを交換してください。
ダイヤモンドコアドリルがフルパワーにならない。	電源故障- 電源で電圧降下が発生している。	▶ その電源あるいは発電機に接続されている他の機器で不具合が発生しているか確認してください。 ▶ 使用している延長コードの長さを確認してください。
ダイヤモンドコアビットが回転しない。	ギア選択スイッチがロックしていない。	▶ ロックするまでギア選択スイッチを操作します。
	ダイヤモンドコアビットが母材を噛んだ。	▶ オープンエンドレンチを使ってコアビットを外す：不意に始動しないように電源コードをコンセントから抜いてください。コネクションエンド付近で適切なオープンエンドレンチを使ってダイヤモンドコアビットをはさみ、ダイヤモンドコアビットを回しながら外します。 スタンドを使用した穿孔 ▶ ハンドルを回してキャリッジを上下に動かして、ダイヤモンドコアビットを外します。
	ギア部の故障。	▶ ヒルティリペアセンターに修理を依頼する。
穿孔速度が低下する。	最大穿孔深さに達している。	▶ コアを外し、コアビット延長シャフトを使用します。
	コアがダイヤモンドコアビット内で引っ掛かっている。	▶ コアを取り外します。



故障	考えられる原因	解決策
穿孔速度が低下する。	仕様が母材に適していない。	▶ 適切な仕様のダイヤモンドコアビットを選択してください。
	鋼材含有量が多い（金属切り屑を含んだ濁りのない水により確認可能）。	▶ 適切な仕様のダイヤモンドコアビットを選択してください。
	ダイヤモンドコアビットの故障。	▶ ダイヤモンドコアビットに損傷がないか点検し、必要ならば交換します。
	ギアを選択が正しくない。	▶ 正しいギアを選択してください。
	接触圧が低すぎる。	▶ 接触圧を高くする。
	本体出力が低すぎる。	▶ 1段階強力なギアを選択します。
	ダイヤモンドコアビットの目つぶれ。	▶ ダイヤモンドコアビットを研磨盤で研いでください。
	水量が多すぎる。	▶ 給水コックで水量を減らします。
	水量が少なすぎる。	▶ ダイヤモンドコアビットへの給水をチェックするか、あるいは給水コックで水量を多くします。
	ブレーキが閉じている。	▶ ブレーキを開きます。
	安全クラッチの作動が早すぎる、またはずっとスリップしている。	▶ ヒルティリペアセンターに修理を依頼する。
ハンドルを抵抗なく回せる。	割ピンが折れている。	▶ 割ピンを交換します。
ダイヤモンドコアビットをチャックに挿入できない。	コネクションエンド / チャックの汚れまたは損傷。	▶ コネクションエンドまたはチャックを清掃してグリスを塗布するか、あるいはこれらを交換します。
ウォータースイベルまたはギアハウジングから水が漏れ出る。	水圧が過大。	▶ 水圧を低くします。
作動中、チャックから水が漏れ出る。	ダイヤモンドコアビットがチャックにしっかりと固定されていない。	▶ ダイヤモンドコアビットをしっかりとねじて締め付けます。 ▶ ダイヤモンドコアビットを取り外します。コアビット軸を中心にダイヤモンドコアビットを約90°回します。ダイヤモンドコアビットを再度取り付けます。
	コネクションエンド / チャックの汚れ。	▶ コネクションエンドまたはチャックを清掃し、グリスを塗布します。
	チャックまたはコネクションエンドのシールの故障。	▶ シールを点検し、必要ならば交換します。
穿孔システムの遊びが大きすぎる。	ダイヤモンドコアビットがチャックにしっかりと固定されていない。	▶ ダイヤモンドコアビットをしっかりとねじて締め付けます。 ▶ ダイヤモンドコアビットを取り外します。コアビット軸を中心にダイヤモンドコアビットを約90°回します。ダイヤモンドコアビットを再度取り付けます。
	コネクションエンド / チャックの故障。	▶ コネクションエンドとチャックを点検し、必要ならば交換します。
	キャリッジの遊びが大きすぎる。	▶ コラムとキャリッジ間の遊びを調整します。→ 頁 153



故障	考えられる原因	解決策
穿孔システムの遊びが大きすぎる。	ドリルスタンドのネジ接続が緩んでいる。	▶ ドリルスタンドのネジが確実に取り付けられているか点検し、必要に応じて増し締めします。
	ドリルスタンドが確実に固定されていない。	▶ ドリルスタンドを確実に固定します。

## 10 廃棄

Hilti 製品の大部分の部品はリサイクル可能です。リサイクル前にそれぞれの部品は分別して回収されなければなりません。多くの国で Hilti は、古い電動工具をリサイクルのために回収しています。詳細については弊社営業担当または Hilti 代理店・販売店にお尋ねください。



- ▶ 電動工具、電子機器およびバッテリーを一般ゴミとして廃棄してはなりません！

### 10.1 ノロの廃棄に関する前処理



環境面について言えば、ノロを適切な前処理なしに、そのまま河川、湖水、下水施設などに流すのは問題となります。地域で適用されている法規について当局に問い合わせてください。

1. ノロを回収してください（例：産業用湿式バキュームクリーナーを使用）。
2. ノロは固ませた後に固形物として建設廃棄物処理場に運んで処理してください（綿毛を加えると固形化が早まる）。
3. ノロ（アルカリ、 $\text{pH} > 7$ ）から流れ出る水に酸性中和剤を加えるか、あるいは多量の水を加えて中性化させてから、下水に流してください。

## 11 RoHS (有害物質使用制限に関するガイドライン)

下記のリンクより、有害物質を記載した表を確認できます：[qr.hilti.com/r3677](http://qr.hilti.com/r3677) (DD 120)  
本書の最終ページに RoHS 表にリンクした QR コードがあります。

## 12 メーカー保証

- ▶ 保証条件に関するご質問は、最寄りの Hilti 代理店・販売店までお問い合わせください。



## 1 문서 관련 기재사항

### 1.1 본 문서에 대해

- 처음 사용하기 전에 본 문서 전체를 읽으십시오. 안전하게 작업하고 문제 없이 취급하기 위한 전제가 됩니다.
- 본 문서 및 제품에 나와 있는 안전 지침 및 경고 지침에 유의하십시오.
- 항상 제품에 있는 사용 설명서를 잘 보관하고 제품은 반드시 본 지침과 함께 다른 사람에게 전달하십시오.

### 1.2 기호 설명

#### 1.2.1 경고사항

본 제품을 다루면서 발생할 수 있는 위험에 대한 경고사항. 다음과 같은 시그널 워드가 사용됩니다.



**위험**

위험!

- ▶ 이 기호는 직접적인 위험을 표시합니다. 만약 지키지 않으면 심각한 부상을 당하거나 사망할 수도 있습니다.



**경고**

경고!

- ▶ 이 기호는 잠재적인 위험을 표시합니다. 만약 지키지 않으면 심각한 부상을 당하거나 사망할 수도 있습니다.



**주의**

주의!

- ▶ 이 기호는 특별히 중요한 안전상의 주의사항을 표시합니다. 만약 지키지 않으면, 심각한 부상 또는 물적 손실을 입을 수 있습니다.

#### 1.2.2 문서에 사용된 기호

본 문서에서 사용되는 기호는 다음과 같습니다.

	사용하기 전에 사용설명서를 읽으십시오.
	적용 지침 및 기타 유용한 사용정보
	재사용이 가능한 자재 취급방법
	전기 기기 및 배터리를 일반 가정의 쓰레기처럼 폐기해서는 안 됨

#### 1.2.3 그림에 사용된 기호

다음과 같은 기호가 그림에 사용됩니다.

<b>2</b>	이 숫자는 본 설명서의 첫 부분에 있는 해당 그림을 나타냅니다.
3	매겨진 숫자는 작업 단계의 순서를 나타내며, 텍스트에 매겨진 작업 단계와 차이가 있을 수 있습니다.
<b>11</b>	항목 번호는 개요 그림에서 사용되며, 제품 개요 단락에 나와 있는 기호 설명 번호를 나타냅니다.
	이 표시는 제품을 다룰 때, 특별히 주의할 사항을 나타냅니다.

## 1.3 제품 관련 기호

### 1.3.1 준수 표시

다음과 같은 준수 표시가 사용됩니다.

	보안경 착용
--	--------



	안전모 착용
	귀마개 착용
	안전 장갑 착용
	안전화 착용
	보호 마스크 착용

### 1.3.2 제품에 사용된 기호

제품에 사용되는 기호는 다음과 같습니다.

	도난방지시스템 표시기
	서비스 표시기
	드릴링 상태 표시기
	보호 접지
$n_0$	무부하 회전 속도
	무선 데이터 전송

### 1.4 주의 표시판

드릴 스탠드, 베이스 플레이트 또는 다이아몬드 천공기기

	진공 베이스 플레이트 위쪽 그림 절반: 진공 베이스 플레이트(액세서리)를 사용하여 벽면에 대하여 수평 드릴링할 때에는 반드시 드릴 스탠드에 추가적인 안전장치를 사용해서 이중으로 고정시켜야 합니다. 아래쪽 그림 절반: 추가적인 안전장치 없이 진공 베이스 플레이트를 사용하여 위쪽으로 드릴 작업할 수 없습니다.
	다이아몬드 코어 천공기기 천장 작업에서는 반드시 워터 콜렉터 시스템을 습식 진공 청소기와 함께 사용하도록 규정되어 있습니다.
	다이아몬드 코어 천공기기 누전 차단기가 작동가능할 때만 작업하십시오.

### 1.5 제품 정보

**HILTI** 제품은 전문가용으로 설계되어 있으며, 해당 교육을 이수한 공인된 작업자를 통해서만 조작, 유지 보수 및 수리 작업을 진행할 수 있습니다. 이 기술자는 발생할 수 있는 위험에 대해 특별 교육을 받은 상태여야



2215649

한국어 159

합니다. 교육을 받지 않은 사람이 제품을 부적절하게 취급하거나 규정에 맞지 않게 사용할 경우에는 기기와 그 보조기구에 의해 부상을 당할 위험이 있습니다.

형식 명칭 및 일련 번호는 형식 라벨에 제시되어 있습니다.

▶ 일련 번호를 다음의 표에 옮기십시오. 대리점 또는 서비스 센터에 문의할 경우 제품 제원이 필요합니다.

제품 제원

다이아몬드 천공기기	DD 120
세대	01
일련 번호	

## 1.6 적합성 선언

퍼사는 전적으로 책임을 지고 여기에 기술된 제품이 통용되는 기준과 규격에 일치함을 공표합니다. 적합성 증명서 사본은 본 문서 끝 부분에서 확인할 수 있습니다.

기술 문서는 이곳에 기술되어 있습니다.

Hilti Entwicklungsgesellschaft mbH | Zulassung Geräte | Hiltistraße 6 | 86916 Kaufering, DE

## 2 안전

### 2.1 전동 공구에 대한 일반적인 안전상의 주의사항

**⚠ 경고** 해당 전동 공구와 함께 동봉된 모든 안전상의 주의 사항, 지침, 그림 및 기술자료를 숙지하십시오. 다음과 같은 지침 내용을 준수하지 않으면 전기 충격, 화재가 발생하거나 그리고/또는 중상을 입을 수 있습니다. 앞으로 모든 안전상의 주의사항과 지침을 보관하십시오.

안전상의 주의사항에서 사용되는 "전동 공구"라는 개념은 전원에 연결하여 사용하는 전동 공구(전원 케이블 있음) 또는 배터리를 사용하는 전동 공구(전원 케이블 없음)를 의미합니다.

#### 작업장 안전수칙

- ▶ 작업장을 항상 깨끗이 하고 조명이 잘 들도록 하십시오. 어수선한 작업환경 또는 어두운 작업장은 사고를 초래할 수 있습니다.
- ▶ 인화성 액체, 가스 또는 먼지가 있어 폭발 위험이 있는 환경에서는 전동 공구를 사용하지 마십시오. 전동 공구는 먼지나 증기를 점화시킬 수 있는 스파크를 일으킵니다.
- ▶ 전동 공구를 사용할 때, 어린이들이나 다른 사람들이 작업장에 접근하지 못하도록 하십시오. 다른 사람의 방해로 인해 기기를 통제하기 어렵습니다.

#### 전기에 관한 안전수칙

- ▶ 전동 공구의 전원 플러그가 소켓에 잘 끼워져야 합니다. 플러그를 절대 변형시켜서는 안됩니다. 접지된 전동 공구와 함께 아답타 플러그를 사용하지 마십시오. 변형되지 않은 플러그와 적합한 소켓을 사용하면 감전의 위험을 줄일 수 있습니다.
- ▶ 파이프, 히터, 전기레인지, 냉장고와 같은 접지 표면에 신체 접촉을 피하십시오. 신체에 닿을 경우 감전될 위험이 높습니다.
- ▶ 전동 공구가 비에 맞지 않도록 하고 습한 장소에 두지 마십시오. 전동 공구에 물이 들어가면 감전될 위험이 높습니다.
- ▶ 전원 케이블만 잡고 전동 공구를 운반하거나 걸어 놓아서는 안되며, 소켓에서 전원 플러그를 빼낼 때 케이블만 잡은 채로 빼내지 마십시오. 전원 케이블이 열, 오일, 날카로운 모서리 또는 부품의 가동 부위에 접촉하지 않도록 주의하십시오. 손상되거나 서로 꼬인 전원 케이블은 감전 위험을 높입니다.
- ▶ 실외에서 전동 공구를 이용하여 작업할 때, 실외용으로 승인된 연장 케이블만 사용하십시오. 실외용 연장 케이블을 사용하면 감전의 위험을 줄여줍니다.
- ▶ 전동 공구를 습한 환경에서 사용하는 것을 피할 수 없을 경우, 누전 차단기를 사용하십시오. 누전 차단기를 사용하면 감전 위험을 줄일 수 있습니다.

#### 사용자 안전수칙

- ▶ 신중하게 작업하십시오. 작업에 정신을 집중하고 전동 공구를 사용할 때 경솔하게 행동하지 마십시오. 피곤하거나 항정신성 약물, 술 또는 약을 복용시에는 전동 공구를 사용하지 마십시오. 전동 공구 사용 시 이에 유의하지 않을 경우 심각한 부상을 초래할 수 있습니다.
- ▶ 안전 장비를 갖추고 보안경을 착용하십시오. 전동 공구의 종류와 사용에 따라, 먼지 보호 마스크, 미끄럼 방지용 안전 신발, 안전모 또는 귀마개 등과 같은 안전한 보호장비를 착용하면 부상의 위험을 줄일 수 있습니다.
- ▶ 실수로 기기가 작동하지 않도록 주의하십시오. 전동 공구를 전원 그리고/또는 배터리에 연결하기 전, 보관 또는 운반 전에 전동 공구가 스위치 OFF 상태인지 확인하십시오. 전동 공구 운반 시 스위치에 손가락을 대거나 스위치가 켜진 상태에서 전원을 연결하면 사고를 유발할 수 있습니다.



- ▶ 전동 공구의 스위치를 켜기 전, 조정공구 또는 렌치를 제거하십시오. 기기 회전부에 남아있는 공구나 렌치로 인해 부상을 입을 수 있습니다.
- ▶ 작업 시 비정상적인 자세는 피하십시오. 안전한 작업 자세가 되도록 하고, 항상 균형을 유지하십시오. 이렇게 하여 예기치 않은 상황에서도 전동 공구를 잘 제어할 수 있습니다.
- ▶ 적합한 작업복을 착용하십시오. 헐렁한 복장이나 장식품을 착용하지 마십시오. 작동하는 기기 가동 부위에 머리, 옷 그리고 장갑이 가까이 닿지 않도록 주의하십시오. 헐렁한 복장, 장식품 혹은 긴 머리가 가동 부위에 말려 들어갈 수 있습니다.
- ▶ 먼지 제거장치나 수거장치를 설치할 수 있는 기기의 경우, 이 장치들이 연결되어 있는지 그리고 제대로 작동되는지를 확인하십시오. 먼지 포집장치 사용은 먼지로 인한 위험을 줄여줄 수 있습니다.
- ▶ 이 전동 공구를 여러번 사용해왔다고 해서 안전하다고 안심하지 말고 전동 공구에 해당되는 안전 규칙을 무시하지 마십시오. 부주의하게 행할 경우 아주 짧은 순간에 중상을 입을 수 있습니다.

#### 전동 공구의 취급과 사용

- ▶ 기기에 과부하가 걸리지 않도록 하십시오. 귀하의 작업에 적합한 전동 공구를 사용하십시오. 적합한 전동 공구를 사용하면, 지정된 성능 한도 내에서 더 효율적으로 안전하게 작업할 수 있습니다.
- ▶ 스위치가 고장난 전동 공구는 사용하지 마십시오. 스위치가 작동되지 않는 전동 공구는 위험하므로, 반드시 수리를 해야 합니다.
- ▶ 기기 세팅을 실행, 액세서리를 교환 또는 기기를 보관하기 전에 컨택터를 전원소켓에서 그리고/또는 탈착식 배터리를 기기에서 빼놓으십시오. 이러한 조치는 실수로 전동 공구가 작동하지 않도록 방지합니다.
- ▶ 사용하지 않는 전동 공구는 어린이들의 손이 닿지 않는 곳에 보관하십시오. 기기 사용에 익숙치 않거나 또는 이 안전수칙을 읽지 않은 사람이 기기를 사용해서는 안 됩니다. 비숙련자가 전동 공구를 사용하면 위험합니다.
- ▶ 전동 공구 및 액세서리를 유의해서 관리하십시오. 기기의 가동 부위가 완벽하게 작동하는지, 끼어 있지 않은지, 혹은 부품이 손상되거나 파손되어 있어 전동 공구의 기능을 저하시키지 않는지 점검하십시오. 기기 사용 전 손상된 부품은 수리하도록 하십시오. 제대로 관리되지 않은 전동 공구는 많은 사고를 유발합니다.
- ▶ 절단기기는 날카롭고 깨끗하게 관리하십시오. 날카로운 절단면이 있고 잘 관리된 절단기기는 끼이는 경우가 드물고 조절하기도 쉽습니다.
- ▶ 본 지침에 따라 전동 공구, 액세서리, 공구 비트 등을 사용하십시오. 이 때 작업 조건과 실시하려는 작업 내용을 고려하십시오. 원래 사용 분야가 아닌 다른 작업에 전동 공구를 사용할 경우, 위험한 상황을 초래할 수 있습니다.
- ▶ 손잡이 및 손잡이 표면은 건조하고 깨끗하게, 그리고 오일과 그리스가 묻어있지 않도록 해야 합니다. 미끄러운 손잡이 및 손잡이 표면은 예상치 못한 상황에서 전동 공구를 안전하게 조작하고 제어할 수 없습니다.

#### 서비스

- ▶ 전동 공구는 반드시 자격을 갖춘 전문가에 의해 그리고 순정 대체부품만 이용하여 수리해야 합니다. 이렇게 하여 전동 공구의 안전성을 계속해서 유지할 수 있습니다.

## 2.2 다이아몬드 드릴 기기용 안전상의 주의사항

- ▶ 물을 사용해야 하는 드릴링 작업을 할 경우, 물은 작업 영역에서 멀리 두고 액체 수거장치를 사용하십시오. 이러한 유형의 예방대책은 작업 영역을 건조하게 유지하여 감전 위험을 줄여줍니다.
- ▶ 작업 중 절단기기가 숨어 있는 전선이나 자체 전원 케이블에 접촉할 수 있는 작업을 실행할 경우, 전동 공구는 절연된 손잡이 표면을 잡고 작동하십시오. 절단기기가 전류가 흐르는 전선과 접촉하면 전동 공구의 금속 부위를 통해 감전이 될 수도 있습니다.
- ▶ 다이아몬드 드릴 작업 시 귀마개를 착용하십시오. 소음은 청각 상실을 유발할 수 있습니다.
- ▶ 공구 비트가 고착되어 움직이지 않을 경우, 더이상 움직이지 말고 공구의 전원을 끄십시오. 끼어 움직이지 않는 이유를 점검하고 공구 비트가 끼인 원인을 제거하십시오.
- ▶ 다이아몬드 드릴 기기가 가공물에 끼워져 있고 다시 시작하고자 하는 경우, 전원을 켜기 전에 공구 비트가 자유롭게 돌아가는지 점검하십시오. 공구 비트가 끼어 있으면, 상황에 따라 공구 비트가 회전되지 않으며 공구가 과부하되거나 또는 다이아몬드 드릴 기기가 가공물에서 풀릴 수 있습니다.
- ▶ 드릴 스탠드를 앵커 및 볼트를 이용하여 가공물에 고정할 경우, 사용한 앵커가 기기를 사용하는 도중 안전하게 빠져출 수 있는지 확인하십시오. 가공물에 저장 능력이 없거나 기공이 있는 경우, 앵커가 빠져 드릴 스탠드가 가공물에서 풀릴 수 있습니다.
- ▶ 진공 플레이트를 이용하여 드릴 스탠드를 가공물에 고정할 경우, 표면이 매끄럽고 깨끗한지 그리고 구멍은 없는지 확인하십시오. 드릴 스탠드를 타일 등과 같은 래커칠한 표면 및 복합재의 코팅면에 고정하지 마십시오. 가공물의 표면이 매끄럽지 않고 평평하지 않거나 충분히 고정되지 않은 경우, 진공 플레이트가 가공물에서 풀릴 수 있습니다.
- ▶ 드릴 작업 전 및 작업 도중 진공이 충분한지 확인하십시오. 진공이 충분하지 않을 경우, 진공 플레이트가 가공물에서 풀릴 수 있습니다.
- ▶ 기기가 진공 플레이트를 통해서만 고정된 경우, 절대 오버 헤드 드릴링 및 벽면 드릴링 작업을 진행하십시오. 진공이 사라지면 진공 플레이트가 가공물에서 풀립니다.



- ▶ 벽면 또는 천장 드릴 작업 시 다른 측면에 위치한 사람 및 작업 영역이 보호받을 수 있도록 하십시오. 코어 비트가 드릴 구멍을 넘어갈 수 있고 코어가 다른 쪽에서 떨어질 수 있습니다.
- ▶ 오버 헤드 드릴 작업 시 항상 사용 설명서에 지정된 용역 수거장치를 사용하십시오. 공구 안에 물이 유입되지 않도록 하십시오. 전동 공구에 물이 들어가면 감전될 위험이 높습니다.

### 2.3 그 외의 안전상의 주의사항

#### 사용자 안전수칙

- ▶ 공구를 변조하거나 개조해서는 절대로 안됩니다.
- ▶ 본 기기는 교육을 받지 않은 약자가 사용할 수 없습니다.
- ▶ 어린이의 손에 닿지 않는 곳에 보관하십시오.
- ▶ 회전하는 부품에 접촉하지 않도록 하십시오. 기기를 작업장으로 가져온 후에 기기의 스위치를 켜십시오. 회전하는 부품들, 특히 회전하는 공구들에 접촉하면 부상을 당할 수 있습니다.
- ▶ 드릴링 후 남은 콘크리트 찌꺼기가 피부에 닿지 않도록 하십시오.
- ▶ 납이 함유된 도료, 일부 목재, 콘크리트/조적벽돌/수정을 함유한 암석 및 금속과 같은 광물질로부터 나오는 먼지는 건강에 해로울 수 있습니다. 먼지를 흡입하거나 만질 경우, 사용자 또는 근처에 있는 사람에게 기관지 질병이나 알레르기 반응이 나타날 수 있습니다. 딱딱나무 입자 또는 너도밤나무 입자와 같은 특정 종류의 먼지는, 특히 목재 처리용으로 사용하는 첨가제(크롬산염, 목재 부식 방지제)와 결합하여 암을 일으킬 수 있습니다. 석면 물질은 전문가들만 다룰 수 있습니다. 가능한 효율적인 먼지 포집장치를 사용하십시오. 이를 위해 본 전동 공구와 맞는 Hilti에서 권장하는 목재 그리고/또는 광물 분진용 이동식 먼지 흡입기를 사용하도록 하십시오. 작업공간을 충분히 환기시키십시오. 먼지의 종류에 따라 적합한 보호마스크를 착용하기를 권장합니다. 가공할 소재에 적용되는 국가별 규정에 유의하십시오.
- ▶ 다이아몬드 천공기와 다이아몬드 코어비트는 무겁습니다. 신체의 일부가 압착될 위험이 있습니다. 사용자 그 주변에 있는 사람들은 기기를 사용하는 동안 반드시 적합한 보안경, 안전모, 귀마개 그리고 안전화를 착용해야 합니다.

#### 전동 공구의 올바른 사용방법과 취급방법

- ▶ 기기가 드릴 스탠드에 정확하게 고정되었는지 확인하십시오.
- ▶ 안전과 관련된 스톱퍼 기능이 제공되지 않으므로 드릴 스탠드에 항상 스톱퍼가 설치되어 있어야 함에 유의하십시오.
- ▶ 공구가 기기에 적합한 어댑터 시스템을 제시하는지를 확인하고 기기가 척 아답타에 정확하게 고정되었는지 확인하십시오.

#### 전기에 관한 안전수칙

- ▶ 멀티플러그 소켓을 이용하여 연장 케이블을 사용하거나, 하나의 연장 케이블에 연결된 여러 기기를 동시에 사용하는 것은 피하십시오.
- ▶ 기기는 접지선이 포함된 전원에서 충분한 공간을 두고 작동시켜야 합니다.
- ▶ 작업을 시작하기 전에, 예를 들면 금속 탐지기를 이용하여 작업장에서 가져져 있거나 덮여 있는 전기 배선, 가스 파이프 그리고 하수도관이 있는지를 점검하십시오. 예를 들면 실수로 전기 배선을 손상시켰을 때, 기기 외부의 금속부분에 전기가 흐를 수 있습니다. 이는 전기 쇼크로 인한 심각한 위험이 발생할 수 있음을 의미합니다.
- ▶ 캐리지 이송시, 전원 케이블이 손상되지 않도록 하십시오.
- ▶ 함께 공급된 누전 차단기 없이는 기기를 절대로 작동시키지 마십시오(PRCD 미포함 기기는 절대로 변압기 없이 사용하지 마십시오). 매번 사용하기 전에 누전 차단기를 점검하십시오.
- ▶ 기기의 연결 케이블을 정기적으로 점검하고, 손상이 있을 경우 자격을 갖춘 전문가가 교환하도록 하십시오. 전동 공구의 전원 케이블이 손상되었을 경우, 서비스 센터에서 판매되는 승인된 기기 전원 전원 케이블로 교체하십시오. 연장 케이블을 정기적으로 점검하고, 손상되었을 경우 이를 교체하십시오. 작업하는 동안 전원 케이블이나 연장 케이블이 손상되었을 경우에는 절대로 케이블을 만지지 마십시오. 전원 플러그를 소켓에서 빼십시오. 손상된 전원 케이블과 연장 케이블은 전기 쇼크로 인한 위험을 유발할 수 있습니다.
- ▶ 더럽거나 축축한 상태에서는 기기를 작동시키지 마십시오. 특히 전도성이 있는 재료에서 기기의 표면에 달라 붙어있는 먼지나 습기는 작업자의 기기조작을 어렵게 하며, 부적절한 조건하에서는 전기 쇼크까지도 일으킬 수 있습니다. 따라서 전도성이 있는 소재를 자주 작업할 경우, 오염된 기기를 정기적으로 Hilti 서비스 센터에서 점검하도록 하십시오.

#### 작업장

- ▶ 드릴링 작업을 시작하기 전에 건축 감독 또는 현장 엔지니어로부터 작업 승인을 받아야 합니다. 건물과 다른 구조물에 드릴링 작업하는 것은 구조물의 안전에 영향을 미칠 수 있습니다 (특히 보강철근 또는 부하 지지요소를 잘라낼 때).
- ▶ 드릴 스탠드가 제대로 고정되어 있지 않을 경우 드릴 스탠드에 설치되어 있는 기기를 항상 아래쪽으로 이동시켜 뒤집히지 않도록 하십시오.
- ▶ 전원 케이블과 연장 케이블, 흡입호스와 진공호스는 공구의 회전 부분으로부터 멀리 떨어지게 두십시오.
- ▶ 습식 드릴링의 경우, 천장 작업시 반드시 워터 콜렉터 시스템을 습식 진공 청소기와 함께 사용하도록 규정되어 있습니다.





- ▶ 추가적인 고정 없이 진공 베이스 플레이트를 천장 작업에 사용하는 것은 금지되어 있습니다.
- ▶ 진공 베이스 플레이트(액세서리)를 이용하여 벽면을 기준으로 수평 드릴링할 때에는 반드시 드릴 스탠드를 추가적인 안전장치를 사용하여 이중으로 고정시켜야 합니다.

### 3 제품 설명

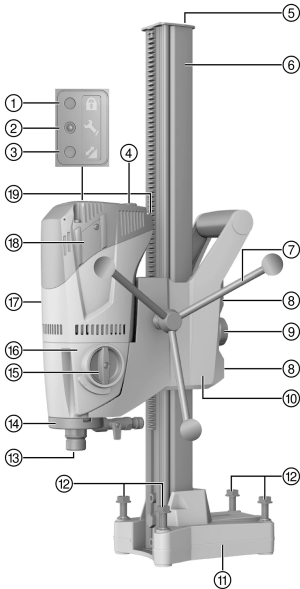
#### 3.1 규정에 맞는 사용

기술된 제품은 전통식으로 구동되는 다이아몬드 천공기입니다. (강화된) 광물성 모재에서 관통홀 및 막힘홀을 스탠드를 이용하여 습식 드릴링하기 위한 용도로 고안되었습니다. 다이아몬드 천공기기를 수동으로 사용하는 것은 허용되지 않습니다.

기술된 제품은 전문가용으로 설계되어 있으며, 허가받은 자격을 갖춘 작업자만 조작, 정비 및 수리할 수 있습니다. 작업자는 발생할 수 있는 위험에 대해 특별 교육을 받은 상태이어야 합니다. 교육을 받지 않은 사람이 기술된 제품을 부적절하게 취급하거나 규정에 맞지 않게 사용할 경우에는 기기와 그 보조기구에 의해 부상을 당할 위험이 있습니다.

- ▶ 다이아몬드 천공기기를 사용할 경우 항상 드릴 스탠드를 사용하십시오. 드릴 스탠드는 앵커 플레이트 또는 진공 베이스 플레이트를 통해 바닥면에 충분히 고정되어 있어야 합니다.
- ▶ 베이스 플레이트의 고정작업을 위해 공구(해머)를 사용하지 마십시오.
- ▶ 형식 라벨에 제시되어 있는 정격 전압과 정격 주파수로만 기기를 작동시켜야 합니다.
- ▶ 국가별 작업 안전 유의사항에 주의하십시오.
- ▶ 사용하는 액세서리의 조작지침과 안전상의 주의사항도 준수하십시오.
- ▶ 부상의 위험을 줄이기 위해, Hilti 순정품 액세서리와 코어비트만 사용하십시오.

#### 3.2 기기구성부품 및 조작요소 1



#### DD 120 다이아몬드 코어 천공기기

- ① 도난방지시스템 표시기(선택사항)
- ② 서비스 표시기
- ③ 드릴링 상태 표시기
- ④ ON/OFF 스위치
- ⑤ 엔드스톱
- ⑥ 레일
- ⑦ 조정 핸들
- ⑧ 캐리지 간극 조정볼트(4개)
- ⑨ 캐리지 잠금장치
- ⑩ 캐리지
- ⑪ 앵커 베이스 플레이트
- ⑫ 레벨링 스크류(4개)
- ⑬ 척 아답타
- ⑭ 워터 스위블
- ⑮ 기어 선택 스위치
- ⑯ 기어
- ⑰ 모터
- ⑱ 카본 브러시 커버
- ⑲ 전원 케이블, 누전 차단기 포함

#### 3.2.1 진공 베이스 플레이트(액세서리) 2

- ⑳ 클램핑 스피들
- ㉑ 진공 호스 연결부
- ㉒ 압력 게이지
- ㉓ 진공 해제 밸브
- ㉔ 진공 실

#### 3.2.2 고정 3

- ㉕ 클램핑 스피들
- ㉖ 앵커
- ㉗ 클램핑 스피들 너트



2215649

### 3.2.3 워터 콜렉터 시스템

#### ㉔ 워터 콜렉터 홀더

#### ㉕ 워터 콜렉터

### 3.3 서비스 표시기

본 제품은 램프 신호가 있는 서비스 표시기가 장착되어 있습니다.

### 3.4 공급품목

다이아몬드 천공기, 조정 핸들, 사용 설명서.

드릴 스탠드는 별도로 공급됩니다. 해당 제품에 허용되는 기타 시스템 제품은 **Hilti Store** 또는 다음 사이트에서 확인할 수 있습니다. [www.hilti.group](http://www.hilti.group)에서 확인할 수 있습니다.

### 3.5 발전기 또는 변압기의 사용

다음과 같은 조건들을 갖추고 있을 경우, 이 기기는 작업현장의 발전기 또는 변압기로 작동시킬 수 있습니다: 공급출력(W)은 기기의 명판에 제시되어 있는 값보다 최소한 최대 출력의 2배 이상이 되어야 하고, 작동전압은 항상 정격 전압의 +5 % ~ -15 % 범위 이내이어야 하고, 주파수의 범위는 50 ~ 60 Hz이며, 어떠한 경우에도 65 Hz를 초과해서는 안 되며, 시동 강화 기능을 갖춘 자동 전압 조절기가 있어야 합니다.

다른 기기를 스위치 ON/OFF하게 되면, 부족전압-피크 그리고/또는 과전압-피크가 발생하여, 기기를 손상시킬 수 있습니다.

## 4 기술자료

### 4.1 기술자료

EPTA Prozedur 01에 따른 무게(컬럼 600 mm)	9.8kg
최대 허용 수압	6bar
무부하 회전속도 1단	740/min
무부하 회전속도 2단	1,580/min
드릴 스탠드 치수, 짧은 레일(L x W x H)	330mm x 147mm x 600mm
드릴 스탠드 치수, 중간 레일(L x W x H)	330mm x 147mm x 720mm
드릴 스탠드 치수, 긴 레일(L x W x H)	330mm x 147mm x 830mm
보호 등급	안전 등급 I (접지됨)

### 4.2 기어 및 해당 코어비트 직경

\* 기기의 드릴링 직경은 기기의 명판에서 찾을 수 있습니다.  
보강 철근이 적은 콘크리트 모재에서 높은 드릴링 속도에 도달하기 위해 최대 Ø 82 mm (3 1/2 in)의 2단 기어를 사용할 수 있습니다.

기어	코어비트 직경	공회전 속도
1	57 ... 132 (*162) mm	740/min
2	16 ... 52 mm	1,580/min

### 4.3 EN 62841에 따른 소음 정보 및 진동값

이 치함에 제시된 음압 및 진동수준은 표준화된 측정방법에 따라 측정된 것이며, 전동 공구를 서로 비교하기 위한 용도로 사용할 수 있습니다. 음압 및 진동 수준은 노출 정도를 사전에 예측하는 데에도 유용하게 사용할 수 있도록 설계되어 있습니다.

제시된 데이터는 전동 공구의 주된 용도를 나타냅니다. 그러나 전동 공구를 다른 용도로 사용하거나 다른 공구 비트를 사용할 경우 또는 유지보수를 충분히 하지 않은 상태에서는 데이터에 편차가 있을 수 있습니다. 이러한 경우 전 작업시간에 걸쳐 노출이 현저하게 증가할 수 있습니다.

노출을 정확하게 평가하기 위해서는 기기 작동이 멈춰 있거나 또는 작동 중이지만 실제로는 사용하지 않는 시간도 고려해야 합니다. 이러한 경우 전 작업시간에 걸쳐 노출이 현저하게 감소할 수 있습니다.

사용자를 보호하기 위해 음파 그리고/또는 진동이 작용하기 전에 다음과 같은 추가적인 안전 조치를 취하십시오. 전동 공구와 공구 비트의 유지보수, 손을 따뜻하게 유지, 작업순서 정하기 등.



소음 정보

평균 A-가중 소음 수준	102dB
평균 A-가중 음압 수준	89dB
명시된 음압 수준에 대한 허용공차	3dB

진동값

콘크리트에 드릴링(습식), $a_h$	2.5m/s <sup>2</sup>
허용공차(K)	1.5m/s <sup>2</sup>

## 5 작업 준비

### 경고

부상위험! 고정이 단단하지 않을 경우 드릴 스탠드가 회전하거나 기울 수 있습니다.

- ▶ 다이아몬드 코어 천공기를 사용하기 전에 앵커 또는 진공 베이스 플레이트로 드릴 스탠드를 작업 모재에 고정하십시오.
- ▶ 모재에 적합한 앵커를 사용하고, 앵커 제조사에서 제공하는 조립지침에 유의하십시오.
- ▶ 진공 베이스 플레이트는 드릴 스탠드 고정을 위해 설치된 모재에 진공 베이스 플레이트가 적합한 경우에만 사용하십시오.

### 5.1 다이아몬드 천공기기에 조정 핸들을 설치하십시오.

1. 스플린트를 제거하고 조정 핸들을 축에 끼우십시오.
2. 조정 핸들을 스플린터를 이용해 고정하십시오.



조정 핸들은 캐리지 양쪽에 설치할 수 있습니다.

### 5.2 다이아몬드 천공기기를 드릴 스탠드에 고정

### 주의

부상위험! 다이아몬드 천공기기가 의도하지 않게 작동됨으로 인한 위험.

- ▶ 셋업 작업을 하는 동안 다이아몬드 천공기기가 전원에 연결되어 있어서는 안됩니다.

1. 알렌키를 이용해 안쪽에 놓인 볼트를 푸십시오.
2. 레일에서 스톱퍼를 제거하십시오.
3. 회전노브를 완전히 돌려 열어 캐리지 잠금장치를 여십시오.
4. 다이아몬드 천공기기를 해당 구멍에 맞춰 레일에 설치하십시오.
5. 다이아몬드 천공기기를 완전히 레일쪽으로 이동시키려면, 조정 핸들을 사용하십시오.
6. 캐리지 잠금장치를 완전히 돌려 잠가 다이아몬드 천공기기를 고정시키십시오.
7. 조정 핸들을 약간 돌려 다이아몬드 천공기기가 제대로 고정되었는지 점검하십시오.
8. 레일에 스톱퍼를 설치하고 안전하게 고정되었는지 점검하십시오.



캐리지 각극을 점검하고 필요에 따라 조정하십시오. → 페이지 170

### 5.3 드릴 스탠드를 앵커로 고정하기

### 경고

잘못된 앵커 사용으로 인한 부상 위험! 기기가 풀려 피해를 유발할 수 있습니다.

- ▶ 기존의 모재를 위해 적합한 앵커를 사용하고 앵커 제조사의 설치지침에 유의하십시오.



Hilti 금속 익스팬션 앵커 M12는 일반적으로 평평한 콘크리트 표면에서 다이아몬드 코어 공구 고정에 적합합니다. 그럼에도 불구하고 특정 조건 하에 추가 고정작업이 필요할 수 있습니다. 안전한 고정작업에 대한 질문이 있을 경우, Hilti 기술서비스팀에 연락하십시오.

1. 드릴홀 중심에서 203 mm (8 in) 떨어진 곳에 해당 모재에 적합한 앵커를 설치하십시오.
2. 클램핑 스프링들을 앵커에 볼트로 조립하십시오.



2215649

3. 베이스 플레이트가 모재 가장자리에 일치할 때까지 레벨링 스크류를 되돌리십시오.
4. 드릴 스탠드를 클램핑 스피들 위쪽에 설치하고 정렬하십시오.
5. 클램핑 스피들에 클램핑 스피들 너트를 돌려 끼우기만 하고 조이지는 마십시오.
6. 4개의 레벨링 스크류를 이용해서 베이스 플레이트를 수평이 되게 조정하십시오.



모든 레벨링 스크류가 모재에 단단히 고정시키십시오.

7. 클램핑 스피들 너트 및 (SW 19) 스패너를 이용해 를 이용해 드릴 스탠드를 고정시키십시오.
8. 드릴 스탠드가 제대로 고정되었는지 점검하십시오.

#### 5.4 드릴 스탠드를 진공 베이스 플레이트(액세서리)로 고정하기



**위험**

다이아몬드 천공기가 낙하로 인한 부상 위험!

- ▶ 천장에서 드릴 스탠드를 진공 베이스 플레이트를 이용해서만 고정하면 안됩니다. 무거운 받침대 또는 볼트 스피들을 통해 추가로 고정해야 합니다.



**경고**

압력 점검 미진행 시 부상 위험!

- ▶ 드릴링 작업을 하기 전과 드릴링 작업을 하는 동안에 압력 게이지의 지침이 항상 녹색 범위에 있도록 해야 합니다.



선택한 코어비트가 진공 베이스 플레이트를 손상시키지 않도록 하십시오.

드릴 스탠드의 위치를 결정하기 전에 설치 및 조작을 위한 공간이 충분한지 확인하십시오.

진공 베이스 플레이트는 직경이 ≤ 300 mm (≤ 12 in)인 코어비트를 적용할 경우에만 스페이스 없이 사용 하십시오.

1. 길이가 대략 800 mm (31.5 in) 정도 되는 방향 설정용 라인을 드릴홀 중심에서 다이아몬드 천공기기가 위치하는 방향 쪽으로 당기십시오.
2. 드릴홀 중심에서 203 mm (8 in) 떨어진 곳에 표시 라인을 방향 설정용 라인에 수직으로 세우십시오.
3. 앵커 플레이트가 모재 가장자리에 일치할 때까지 레벨링 스크류를 되돌리십시오.
4. 스피들을 통해 드릴 스탠드를 진공 베이스 플레이트에 놓으십시오.
  - ▶ 앵커 플레이트는 진공 베이스 플레이트의 스토퍼에 맞춰 일렬로 밀착되어 있습니다.
5. 클램핑 스피들 너트 및 SW 19 스패너를 이용해 를 이용해 드릴 스탠드를 고정시키십시오.
6. 진공 베이스 플레이트의 진공 호스 연결부를 진공펌프에 연결하십시오.
7. 진공펌프의 전원을 켜고 진공 베이스 플레이트를 모재쪽으로 누르십시오.
8. 다이아몬드 천공기기를 정렬하려면, 진공 해제 밸브를 누르고 계십시오.



정렬을 위해 앵커 플레이트에 있는 표시 및 표시 라인을 활용하십시오

9. 진공 해제 밸브에서 손을 떼고 진공 베이스 플레이트를 모재쪽으로 누르십시오.
10. 드릴 스탠드가 제대로 고정되었는지 점검하십시오.
11. 필요에 따라 4개의 레벨링 스크류를 이용해서 다이아몬드 천공기기를 수평이 되게 조정하십시오.

#### 5.5 물 호스 연결부위(액세서리) 설치하기



**주의**

잘못 사용할 경우 위험! 잘못 사용하면 호스가 파손될 수 있습니다.

- ▶ 정기적으로 호스의 손상 여부에 대해 점검하고, 허용 최대 수압 6 bar를 초과하지 않도록 하십시오.
- ▶ 호스가 회전 부품에 닿지 않도록 하십시오.
- ▶ 캐리지 이송시, 호스가 손상되지 않도록 하십시오.
- ▶ 최대 냉각수 온도: 40 °C.
- ▶ 연결된 배수장치를 누수에 대해 점검하십시오.



구성부품의 손상을 방지하기 위해 오염물질이 없는 물 또는 깨끗한 물만 사용하십시오.

물의 양 표시기는 액세서리로서 기기와 물 공급 호스 사이에 설치할 수 있습니다.



1. 다이아몬드 천공기기의 물조절기를 닫으십시오.
2. 물 공급 호스를 호스 커넥터에 연결하십시오(호스 연결부).

## 5.6 워터 콜렉터 시스템(액세서리) 설치하기 5

### ⚠ 경고

갑작 위험! 흡인 기능에 문제가 있는 경우 물이 엔진 및 커버 위쪽으로 흘러갈 수 있습니다.

- ▶ 흡인 기능이 더 이상 작동하지 않으면 즉시 작업을 중단하십시오.

### ⚠ 주의

부상위험! 제품의 돌발적인 시동.

- ▶ 기기 설정 또는 액세서리를 교체하기 전에 전원 플러그를 당기십시오.



위쪽을 향해 천공작업을 진행할 경우 다이아몬드 천공기기는 천장쪽에 90° 각도로 위치해야 합니다. 워터 콜렉터 시스템의 패킹은 다이아몬드 코어비트의 직경에 맞춰 조정해야 합니다.

워터 콜렉터 시스템을 이용하여 물을 원하는 장소로 배출할 수 있으며, 이를 통해 주변의 심각한 오염을 방지할 수 있습니다.

1. 드릴 스탠드에서 볼트를 제거하십시오.
2. 볼트를 이용해 드릴 스탠드에 워터 콜렉터 홀더를 설치하십시오.
3. 가스켓과 패킹이 설치되어 있는 워터 콜렉터를 2개의 이동식 워터 콜렉터 홀더 암 사이에 놓으십시오.
4. 모재에서 워터 콜렉터를 워터 콜렉터 홀더에 2개의 스크류로 고정시키십시오.
5. 워터 콜렉터에 흡식 진공 청소기를 연결하거나 물을 배출할 수 있도록 호스를 연결하십시오.

## 5.7 다이아몬드 코어비트 끼우기(척 아답타 B+) 7

### ⚠ 위험

부상위험 공작물의 부품 파편 또는 파손된 공구 비트가 멀리까지 날아갈 수 있으므로 직접 작업장에 있지 않아도 부상을 입을 수 있습니다.

- ▶ 손상된 공구 비트를 사용하지 마십시오. 사용하기 전에 항상 공구 비트의 파손, 균열 또는 심한 마모 여부를 확인하십시오.

### ⚠ 주의

부상위험! 제품의 돌발적인 시동.

- ▶ 기기 설정 또는 액세서리를 교체하기 전에 전원 플러그를 당기십시오.



절단 및 드릴 성능이 현저히 떨어지면 다이아몬드 코어비트를 교체해야 합니다. 이는 일반적으로 다이아몬드 세그먼트의 높이가 2 mm (1/16 in)보다 낮을 경우에 해당됩니다.

척 아답타 C-Rod, A-Rod, M27 및 BR은 스패너 SW 27로 조작합니다.

1. 캐리지 잠금장치를 완전히 돌려 잠가 다이아몬드 천공기기를 고정시키십시오.
2. 열림 기호 방향으로 척 아답타 (B+)를 돌려 여십시오.
3. 척 아답타 시스템을 아래쪽에서 다이아몬드 천공기기의 척 아답타 기어 이 쪽으로 끼우십시오.
4. 닫힘 기호 방향으로 척 아답타를 돌려 닫으십시오.
5. 다이아몬드 코어비트가 척 아답타에 제대로 안착되어 있는지 점검하십시오.

## 5.8 회전속도 선택 8

### ⚠ 주의

마모 위험 기어 손상 위험

- ▶ 모터 작동 중에 기어를 바꾸지 마십시오. 스피들이 정지상태가 될 때까지 기다리십시오.

1. 사용하는 코어비트 직경에 맞춰 스위치 위치를 선택하십시오.
2. 코어비트에서 동시에 손으로 돌려 스위치를 권장된 위치로 돌리십시오.



## 5.9 다이아몬드 코어비트 제거하기(척 아답타 BI+)

### 위험

부상위험 공작물의 부품 파편 또는 파손된 공구 비트가 멀리까지 날아갈 수 있으므로 직접 작업장에 있지 않아도 부상을 입을 수 있습니다.

- ▶ 손상된 공구 비트를 사용하지 마십시오. 사용하기 전에 항상 공구 비트의 파손, 균열 또는 심한 마모 여부를 확인하십시오.

### 주의

부상위험! 제품의 돌발적인 시동.

- ▶ 기기 설정 또는 액세서리를 교체하기 전에 전원 플러그를 당기십시오.

척 아답타 C-Rod, A-Rod, M27 및 BR의 경우 스패너 SW 27을 이용해 기기 축을 고정시킴으로써 적합한 스패너를 이용해 코어비트를 제거하십시오.

1. 캐리지 잠금장치를 완전히 돌려 잠가 다이아몬드 천공기기를 고정시키십시오.
2. 열림 기호 방향으로 척 아답타 (BI+)를 돌려 여십시오.
3. 작동 슬리브를 기기쪽을 향해 화살표 방향으로 당겨 코어비트의 잠금을 해제하십시오.
4. 코어비트를 척 아답타(BI+)에서 제거하십시오.

## 6 조작

### 6.1 도난방지시스템 TPS (선택사양)

본 제품에는 도난방지시스템 TPS 기능을 장착할 수 있습니다. 본 기능이 장착된 경우 해당 키만 있으면 작동 승인 및 작동이 가능합니다.

### 6.2 도난방지시스템 TPS가 장착된 기기 작동 승인

1. 다이아몬드 천공기기의 전원 플러그를 소켓에 끼우십시오.
2. 누전 차단기에서 "Reset" 버튼 또는 "I" 버튼을 누르십시오.
  - ↳ 황색 도난방지램프가 깜박거립니다.
3. 활성화키를 잠금 기호 쪽으로 직접 가져가십시오.
  - ↳ 황색 도난방지램프가 꺼지고, 기기 사용이 가능해집니다.

공급 전류가 중단되면, 제품은 약 20분 간 작동 가능한 상태를 유지합니다. 오랫동안 중단되었을 경우, 활성화키를 이용하여 도난방지시스템을 다시 비활성화시켜야 합니다.

### 6.3 누전 차단기(PRCD)

1. 다이아몬드 천공기기의 전원 플러그를 접지접속된 소켓에 끼우십시오.
2. 누전 차단기에서 "I" 또는 "RESET" 버튼을 누르십시오.
  - ↳ 표시가 점등됩니다.
3. 누전 차단기에서 "0" 또는 "TEST" 버튼을 누르십시오.
  - ↳ 표시가 소등됩니다.

### 경고

감전으로 인한 부상 위험! 0 또는 TEST 버튼을 누를 때 누전 차단기의 표시가 소등되지 않으면, 다이아몬드 천공기기를 더 이상 작동할 수 없습니다!

- ▶ 다이아몬드 천공기기를 Hilti 서비스 센터에 수리를 의뢰하십시오.

4. 누전 차단기에서 "I" 또는 "RESET" 버튼을 누르십시오.
  - ↳ 표시가 점등됩니다.



## 6.4 습식 진공 청소기 없이 다이아몬드 천공기기 작동

1. 원하는 수량이 흐를 때까지 물조절기를 서서히 여십시오.



다이아몬드 천공기기는 워터 콜렉터 시스템과 함께 혹은 워터 콜렉터 시스템 없이 작동할 수 있습니다. 워터 콜렉터 시스템을 이용하면 드릴 절삭액이 호스를 통해 배출되고, 워터 콜렉터 시스템을 사용하지 않으면 제어되지 않은 채로 배출됩니다. 워터 콜렉터 시스템과 함께 작동할 경우, 먼저 워터 콜렉터 시스템을 설치하십시오. → 페이지 167  
두 작업 모두 오버헤드 작업은 허용되지 않습니다.

2. ON/OFF 스위치를 "I"로 누르십시오.

3. 캐리지 잠금장치를 여십시오.

4. 다이아몬드 코어비트가 모재에 닿을 때까지 조정 핸들을 이용하여 다이아몬드 코어비트를 돌리십시오.

5. 드릴링 작업 시작시 코어비트가 중심을 잡을 때까지 먼저 약하게 누른 다음에 압착력을 가하십시오.

6. 드릴링 상태 표시기를 확인하십시오.



초반에 드릴링 상태 표시기가 주황색으로 점등됩니다. 드릴링 상태 표시기가 녹색으로 점등되면 이상적인 드릴링 상태에 도달한 것입니다. 드릴링 상태 표시기가 적색으로 점등되면 압착력을 줄이십시오.

## 6.5 습식 진공 청소기와 함께 다이아몬드 천공기기 작동



### 경고

감전 위험! 흡인 기능에 문제가 있는 경우 물이 엔진 및 커버 위쪽으로 흘러갈 수 있습니다.

▶ 흡인 기능이 더 이상 작동하지 않으면 즉시 작업을 중단하십시오.

1. 워터 콜렉터 시스템을 설치하고 → 페이지 167 습식 진공 청소기를 연결하십시오.

2. 습식 진공 청소기의 전원을 켜 후 자동 모드를 이용하지 마십시오.

3. 원하는 수량이 흐를 때까지 물조절기를 서서히 여십시오.

4. ON/OFF 스위치를 "I"로 누르십시오.

5. 캐리지 잠금장치를 여십시오.

6. 다이아몬드 코어비트가 모재에 닿을 때까지 조정 핸들을 이용하여 다이아몬드 코어비트를 돌리십시오.

7. 드릴링 작업 시작시 코어비트가 중심을 잡을 때까지 먼저 약하게 누른 다음에 압착력을 가하십시오.

8. 드릴링 상태 표시기를 확인하십시오.



초반에 드릴링 상태 표시기가 주황색으로 점등됩니다. 드릴링 상태 표시기가 녹색으로 점등되면 이상적인 드릴링 상태에 도달한 것입니다. 드릴링 상태 표시기가 적색으로 점등되면 압착력을 줄이십시오.

## 6.6 코어 비트가 끼어서 움직이지 않을 시 작업 단계

고착 시에 먼저 슬립 클러치가 작동됩니다. 이어서 전자장치가 모터 작동을 멈추고 사용자의 개입 없이도 자동으로 두 번 다시 켜집니다. 클램핑이 풀리지 않도록 하려면, 90초 동안 전자장치에 전류를 차단하십시오. 클램핑은 다음과 같이 수동으로 풀 수 있습니다.

### 6.6.1 스페너로 코어비트를 푸십시오

1. 전원 플러그를 소켓에서 빼내십시오.

2. 적합한 스페너를 이용하여 꼭지의 가까운 부분에서 다이아몬드 코어비트를 잡고 돌리면서 다이아몬드 코어비트를 푸십시오.

3. 전원 플러그를 소켓에 끼우십시오.

4. 드릴링을 계속 진행하십시오.

### 6.6.2 조정 핸들로 코어비트 풀기

1. 전원 플러그를 소켓에서 빼내십시오.

2. 조정 핸들로 모재에서 코어비트를 푸십시오.

3. 전원 플러그를 소켓에 끼우십시오.

4. 드릴링을 계속 진행하십시오.



## 6.7 다이아몬드 코어 천공기끼 끼기 10

### 경고

사람 및 자재에 대한 위험 천장 드릴링 작업시 다이아몬드 코어비트에 물이 채워집니다. 다이아몬드 천공기기는 손상될 수 있으며 감전 위험이 높습니다.

- ▶ 천장 드릴링 작업 종료시, 첫 단계로서 조심스럽게 물을 빼내야 합니다. 이를 위해서는 물 공급 호스를 물의 양 조절 밸브에서 분리한 다음, 물의 양 조절 밸브를 열어 물을 빼냅니다. 물이 모터 및 커버 위로 넘쳐서는 안됩니다.

1. 다이아몬드 천공기기의 물조절기를 닫으십시오.
2. 다이아몬드 코어비트를 드릴링 구멍에서 빼내십시오.
3. 캐리지 잠금장치를 이용하여 다이아몬드 천공기기를 고정하십시오.
4. 다이아몬드 천공기기의 스위치를 끄십시오.
5. 습식 진공 청소기가 설치되어 있으면, 습식 진공 청소기를 끄십시오.

## 6.8 다이아몬드 천공기기의 분리

1. 전원 플러그를 소켓에서 빼내십시오.
2. 코어비트를 제거하려면 "다이아몬드 코어비트 제거하기" 장을 참조하십시오. → 페이지 168
3. 필요 시 코어를 제거하십시오.
4. 다이아몬드 천공기기를 모재에서 분리하십시오.



시스템을 통째로 분리하는 경우, 기기를 레일에서 내려놓은 후 코어비트가 모재에 닿을 때까지 완전히 아래쪽으로 이동시키기를 권장합니다. 이를 통해 다이아몬드 천공기기가 넘어지는 것을 방지할 수 있습니다.

## 7 관리 및 유지보수

### 7.1 관리 및 유지보수

### 경고

감전 위험! 전원 플러그가 삽입된 상태에서 관리 및 수리 작업을 진행하면 중상 및 화상을 입을 수 있습니다.

- ▶ 관리 및 수리 작업을 진행하기 전에 항상 전원 플러그를 분리하십시오!

#### 관리

- 공구에 부착된 오염물질을 조심스럽게 제거하십시오.
- 마른 솔로 환기 흡을 조심스럽게 청소하십시오.
- 하우징은 약간 물을 적신 천으로만 닦으십시오. 플라스틱 부품을 손상시킬 수 있으므로 절대로 실리코니 함유된 보호제를 사용하지 마십시오.

#### 유지보수

### 경고

감전으로 인한 위험! 전기 구성부품에서 부적절하게 수리하면 중상을 입거나 화재를 야기할 수 있습니다.

- ▶ 전기 부품은 반드시 전기 기술자가 수리하도록 해야 합니다.

- 눈에 보이는 모든 부품은 정기적으로 손상 여부를 점검하고 조작 요소가 아무 문제 없이 작동하는지 점검하십시오.
- 손상되었거나 기능 장애가 있는 경우에는 제품을 작동하지 마십시오. 바로 **Hilti** 서비스 센터에서 수리받으십시오.
- 관리 및 수리 작업 후 모든 보호장치를 가져와 기능을 점검하십시오.



안전하게 작동하기 위해서는 순정품 예비 부품 및 소모품만 사용하십시오. 해당 제품에 허용되는 예비 부품, 소모품 및 액세서리는 **Hilti Store** 또는 에서 확인할 수 있습니다. [www.hilti.group](http://www.hilti.group).

## 7.2 레일과 캐리지 간의 간극 조정

1. 알렌키를 이용하여 캐리지 간극 조정볼트를 조이십시오.

기술자료	
조임 토크	5Nm





2. 조정볼트를 다시 1/4바퀴 푸십시오.
3. 캐리지가 다이아몬드 코어비트 없이 그 위치에 남아 있고 다이아몬드 코어비트와 함께 아래쪽으로 이동하면 제대로 조정된 것입니다.

### 7.3 카본 브러시 교환

#### 경고

감전으로 인한 부상 위험!

- ▶ 이 기기는 허가받은, 자격이 있는 작업자에 의해서만 조작, 정비 그리고 수리되어야 합니다! 작업자들은 발생할 수 있는 위험에 대해 특수 교육을 받아야 합니다.

#### 경고

감전 위험! 전원 플러그가 삽입된 상태에서 관리 및 수리 작업을 진행하면 중상 및 화상을 입을 수 있습니다.

- ▶ 관리 및 수리 작업을 진행하기 전에 항상 전원 플러그를 분리하십시오!

1. 모터에서 좌측과 우측 카본 브러시 커버를 여십시오.
2. 카본 브러시의 설치와 전선심선의 배선에 유의하십시오. 사용된 카본 브러시를 다이아몬드 천공기에서 빼내십시오.
3. 새로운 카본 브러시를 기존의 카본 브러시가 설치되어 있던 대로 정확하게 설치하십시오.



설치시, 전선심선의 절연체가 손상되지 않도록 유의하십시오.

4. 모터의 좌측 및 우측에 카본 브러시 커버를 볼트체결 하십시오.
5. 카본 브러시를 최소 1분 이상 공회전 속도에서 중단없이 계속해서 작동시키십시오.
  - ↳ 신호 램프는 작동된 지 약 1분이 지나면 꺼집니다.

## 8 운반 및 보관

### 운반

- ▶ 본 제품은 공구가 끼워진 상태로 운반하지 마십시오.
- ▶ 운반 시 안전하게 고정되었는지 확인하십시오.
- ▶ 운반 후에는 항상 눈에 보이는 모든 부품의 손상 여부를 점검하고 조작요소가 아무 문제 없이 작동하는지 점검하십시오.

### 보관

- ▶ 본 제품은 항상 전원 플러그가 당겨진 상태로 보관하십시오.
- ▶ 본 제품은 건조한 상태로 보관하고 어린이 및 허용되지 않는 사람의 손에 닿지 않도록 하십시오.
- ▶ 장기간 보관 후에는 항상 눈에 보이는 모든 부품의 손상 여부를 점검하고 조작요소가 아무 문제 없이 작동하는지 점검하십시오.

### 8.1 다이아몬드 천공기기 운반

#### 경고

부상위험! 개별 부품이 풀려 떨어질 수 있습니다.

- ▶ 다이아몬드 천공기기 그리고/또는 드릴 스탠드를 크레인에 걸지 마십시오.

- ▶ 다이아몬드 천공기기, 드릴 스탠드 및 코어비트는 분리하여 운반하십시오.
  - ↳ 운반이 용이하도록 현가장치(엑세서리)를 사용하십시오.
- ▶ 다이아몬드 천공기기를 보관하기 전에 물조절기를 여십시오.

## 9 문제 발생 시 도움말


- ▶ 본 도표에 제시되어 있지 않거나 스스로 해결할 수 없는 문제가 발생한 경우 **Hilti** 서비스 센터에 문의해 주십시오.



### 9.1 다이아몬드 천공기가 작동되지 않음

장애	예상되는 원인	해결책
 서비스 표시기에 아무 것도 표시되지 않음.	누전 차단기가 켜지지 않음.	▶ 누전 차단기의 작동 성능을 점검하고 누전 차단기를 켜십시오.
	전원이 공급되지 않음.	▶ 다른 전동공구를 끼워 기능을 점검하십시오. ▶ 플러그 컨넥터, 전원 케이블, 전기 케이블 및 전원 휴즈를 점검하십시오.
	ON/OFF 스위치 고장.	▶ Hilti 서비스 센터에 수리를 의뢰하십시오.
	전자장치 결함.	▶ Hilti 서비스 센터에 수리를 의뢰하십시오.
	모터에 물 유입.	▶ 다이아몬드 천공기기를 따뜻하고 건조한 장소에서 완전하게 건조시키십시오.
 서비스 표시기 점등.	카본 브러시 마모.	▶ 카본 브러시를 교체하십시오. → 페이지 171
 서비스 표시기 점멸.	회전속도 오류.	▶ Hilti 서비스 센터에 수리를 의뢰하십시오.
 드릴링 상태 표시기가 적색으로 점멸함.	모터 과열됨.	▶ 모터가 냉각될 때까지 몇 분간 기다리거나 냉각과정을 가속화하기 위해 다이아몬드 천공기기를 공회전속도에서 작동시키십시오. 다이아몬드 천공기기를 켜다가 다시 켜십시오.
	과부하 오류.	▶ 다이아몬드 천공기기를 켜다가 다시 켜십시오.
 도난방지시스템 표시기 점멸.	다이아몬드 천공기기 작동이 승인되지 않음(도난방지시스템 옵션이 장착된 다이아몬드 천공기기).	▶ 활성화키를 사용하여 다이아몬드 천공기기 작동을 승인하십시오.

### 9.2 다이아몬드 천공기가 작동 가능함

장애	예상되는 원인	해결책
 서비스 표시기 점등.	카본 브러시가 거의 마모한계에 도달됨. 다이아몬드 천공기기가 자동으로 꺼질 때까지 남은 시간은 몇 시간 더 남았습니다.	▶ 빠른 시간 내에 카본 브러시를 교체하십시오.
다이아몬드 천공기기가 전출력으로 작동되지 않음.	전원 장애 - 전력망의 전압이 부족함.	▶ 전력망에 또는 경우에 따라 발전기에 다른 전력 기기가 방해되게 작동되고 있는지 점검하십시오. ▶ 사용한 연장 케이블의 길이를 점검하십시오.
다이아몬드 코어비트가 회전하지 않음.	기어 선택 스위치가 맞물리지 않음.	▶ 기어 선택 스위치가 맞물려 고정될 때까지 이를 누르십시오.



장애	예상되는 원인	해결책
다이아몬드 코어비트가 회전하지 않음.	다이아몬드 코어비트가 바닥면에 끼어 움직이지 않음.	<ul style="list-style-type: none"> <li>▶ 다이아몬드 코어비트를 스패너를 이용하여 푸십시오. 전원 플러그를 메인 소켓에서 빼내십시오. 적합한 스패너를 이용하여 꼭지의 가까운 부분에서 다이아몬드 코어비트를 잡고 돌리면서 다이아몬드 코어비트를 푸십시오.</li> </ul>
	고정식 드릴링	<ul style="list-style-type: none"> <li>▶ 핸드 휠에서 돌리며 캐리지를 위아래로 움직이면서 다이아몬드 코어비트를 풀어보십시오.</li> </ul>
드릴링 속도가 점점 낮아짐.	기어 결합.	▶ Hilti 서비스 센터에 수리를 의뢰하십시오.
	최대 드릴링 깊이에 도달함.	▶ 코어를 제거하고 코어비트 익스텐션을 사용하십시오.
	코어가 다이아몬드 코어비트에 고착됨.	▶ 코어를 제거하십시오.
	바닥면에 맞지 않는 규격.	▶ 다이아몬드 코어비트에 적합한 규격을 선택하십시오.
	강재 구성 비율 높음(금속 칩과 함께 물이 맑은 것에서 알아볼 수 있음).	▶ 다이아몬드 코어비트에 적합한 규격을 선택하십시오.
	다이아몬드 코어비트 결합.	▶ 다이아몬드 코어비트의 손상 여부를 점검하고 필요에 따라 다이아몬드 코어비트를 교체하십시오.
	잘못된 기어 단 선택.	▶ 맞는 기어 단을 선택하십시오.
	접촉력이 너무 낮음.	▶ 접촉력을 높이십시오.
	기기 출력이 너무 낮음.	▶ 가장 낮은 기어 단을 선택하십시오.
	다이아몬드 코어비트가 풀리심됨.	▶ 다이아몬드 코어비트를 연마판 위에서 연마하십시오.
	물의 양이 너무 많음.	▶ 조절 밸브를 이용하여 물의 양을 줄이십시오.
	물의 양이 너무 적음.	▶ 다이아몬드 코어비트에 물이 유입되었는지 점검하거나 물조절기를 이용하여 물의 양을 늘리십시오.
	브레이크 달힘.	▶ 브레이크를 여십시오.
	슬립 클러치가 조기에 미끄러지거나 또는 원상태로 돌아가지 않음.	▶ Hilti 서비스 센터에 수리를 의뢰하십시오.
핸드 휠이 저항 없이 회전함.	▶ 코터 핀을 교체하십시오.	
다이아몬드 코어비트가 칩 아답타에 설치되지 않음.	▶ 드릴 비트 또는 칩 아답타를 깨끗이 닦은 후 그리스를 바르거나 또는 이를 교체하십시오.	
워터 스위블 또는 기어 하우스에서 물이 흘러 나옴.	▶ 수압이 너무 높음.	▶ 수압을 낮추십시오.
작동 중 칩 아답타에서 물이 흘러 나옴.	다이아몬드 코어비트가 칩 아답타에 충분히 단단하게 체결되지 않음.	<ul style="list-style-type: none"> <li>▶ 다이아몬드 코어비트를 단단하게 체결하십시오.</li> <li>▶ 다이아몬드 코어비트를 제거하십시오. 다이아몬드 코어비트를 코어비트 축 둘레에서 약 90° 정도 돌리십시오. 다이아몬드 코어비트를 다시 장착하십시오.</li> </ul>



장애	예상되는 원인	해결책
작동 중 칩 아답타에서 물이 흘러 나옴.	드릴 비트/칩 아답타의 오염.	▶ 드릴 비트 또는 칩 아답타를 깨끗이 닦은 후 그리스를 바르십시오.
	칩 아답타 또는 드릴 비트의 가스켓 결함.	▶ 가스켓을 점검하고 필요에 따라 가스켓을 교체하십시오.
드릴 시스템 유격이 너무 큼.	다이아몬드 코어비트가 칩 아답타에 충분히 단단하게 체결되지 않음.	▶ 다이아몬드 코어비트를 단단하게 체결하십시오. ▶ 다이아몬드 코어비트를 제거하십시오. 다이아몬드 코어비트를 코어비트 축 둘레에서 약 90° 정도 돌리십시오. 다이아몬드 코어비트를 다시 장착하십시오.
	드릴 비트/칩 아답타 결함.	▶ 드릴 비트 및 칩 아답타를 점검하고 필요에 따라 교체하십시오.
	캐리지 유격이 너무 큼.	▶ 레일과 캐리지 사이의 유격을 조정하십시오. → 페이지 170
	드릴 스탠드의 볼트 연결부 풀림.	▶ 드릴 스탠드의 볼트가 고정되어 안착되었는지 점검하고, 필요에 따라 다시 조이십시오.
	드릴 스탠드가 충분히 고정되지 않음.	▶ 드릴 스탠드를 고정시키십시오.

## 10 폐기

Hilti 기기는 대부분 재사용이 가능한 소재로 제작되었습니다. 재활용을 위해 개별 부품을 분리하여 주십시오. Hilti는 대부분의 국가에서 재활용을 위해 노후기기를 수거해 갑니다. Hilti 고객 서비스센터 또는 판매 담당자에게 문의하십시오.



▶ 전통 공구, 전자식 기기 및 배터리를 일반 가정 쓰레기로 폐기하지 마십시오!

### 10.1 드릴링 후 남은 콘크리트 찌꺼기의 폐기처리를 위한 전처리

환경적 관점에서, 드릴링 후 남은 콘크리트 찌꺼기를 적합하게 전처리하지 않고 강, 호수 또는 운하로 방류하는 것은 문제가 됩니다. 관련 규정에 관한 자세한 사항은 지역 관계당국에 문의하십시오.

1. 드릴링 후, 콘크리트 찌꺼기를 수거하십시오(예를 들면 습식 진공 청소기를 이용하여).
2. 드릴링 후, 콘크리트 찌꺼기를 분리하여 고체 재료를 건축물쓰레기 처리장으로 보내 폐기하십시오(양모 필터를 이용하면 분리 처리를 가속시킬 수 있습니다).
3. 잔류 액체(염기성 pH-값 >7)는 산성 중화제를 첨가하거나 많은 물로 희석하여 중화시킨 다음 방류해야 합니다.

## 11 RoHS (유해물질 사용 제한 지침)

아래 링크에서 유해물질에 관한 도표를 확인할 수 있습니다. [qr.hilti.com/r3677](http://qr.hilti.com/r3677) (DD 120).  
RoHS 도표로 이어지는 링크는 본 문서 끝에 QR 코드 형식으로 제시되어 있습니다.

## 12 제조회사 보증

▶ 보증 조건에 관한 질문사항은 Hilti 파트너 지사에 문의하십시오.



# 1 文件相關資訊

## 1.1 關於此文件

- 初次操作或使用前，請先詳讀此文件。本文件包含安全前提、疑難排解處理和產品使用。
- 請遵守本文件中與產品上的安全說明和警告。
- 操作說明應與產品一起保管，產品交予他人時必須連同操作說明一起轉交。

## 1.2 已使用的符號說明

### 1.2.1 警告

警告使用本產品的人員可能發生之危險。採用了以下標示文字：



**危險**

危險！

- ▶ 此標語警示會發生對人造成嚴重傷害甚至致死的危險情形。



**警告**

警告！

- ▶ 此標語警示會造成嚴重傷害甚至致死危險的潛在威脅。



**注意**

注意！

- ▶ 此標語警示可能會發生造成人員受傷，或造成設備及其他財產損壞之危險狀況。

### 1.2.2 文件中的符號

本文件中採用以下符號：

	使用前請閱讀操作說明。
	使用說明與其他資訊
	處理可回收的材料
	不可將電子設備與電池當作家庭廢棄物處置

### 1.2.3 圖解中的符號

圖解中採用了以下符號：

	號碼對應操作說明的開始處的圖解
	編號代表圖解中的操作步驟順序，可能與內文中的步驟有所不同
	項目參考編號用於總覽圖解，並請參閱產品總覽章節中使用的編號
	本符號是為了讓您在操作本產品時可以注意某些重點。

## 1.3 產品專屬符號

### 1.3.1 「必須完成」符號

本文件採用了以下的「必須完成」符號：

	穿戴護目鏡
	穿戴安全帽
	穿戴耳罩



2215649

	穿戴安全手套
	穿戴防護鞋
	穿戴輕型呼吸保護器

### 1.3.2 產品上的符號

產品上會採用下列符號：

	防盜指示燈
	維修指示燈
	鑽孔性能指示燈
	保護接地
$n_0$	無負載下的額定速率
	無線資料傳輸

### 1.4 資訊通知

位於鑽孔機台、底座或鑽石岩心鑽孔機具上

	<p><b>真空吸盤底座上之圖示</b></p> <p>圖片上半部：在進行水平鑽孔作業時，若使用真空吸盤底座固定機具，須另外以其他方式固定鑽孔機台。</p> <p>圖片下半部：在向上進行鑽孔時，請勿以真空基座固定法作為固定機具的唯一方式。</p>
	<p><b>位於鑽石岩心鑽孔機具上</b></p> <p>進行高處作業時，必須搭配使用集水系統與濕式工業用真空吸塵器。</p>
	<p><b>位於鑽石岩心鑽孔機具上</b></p> <p>當漏電斷路器（PRCD）功能正常時，才可操作本系統。</p>

### 1.5 產品資訊

產品是針對專業使用者設計，故僅經訓練、認可的人員可操作、維修與維護本產品。必須告知上述人員關於可能遭遇到的特殊危險。若因未經訓練人員操作錯誤或未依照其原本的用途操作，則本產品和它的輔助工具設備有可能會發生危險。

類型名稱和序號都標示於額定銘牌上。



- ▶ 在下方表格中填入序號。與Hilti維修中心或當地Hilti機關聯絡查詢產品相關事宜時，我們需要您提供產品詳細資訊。

#### 產品資訊

鑽石鑰頭機具	DD 120
產品代別	01
序號	

## 1.6 符合聲明

基於我們唯一的責任，本公司在此聲明本產品符合適用的指示或標準。本文件結尾處有符合聲明之副本。

技術文件已歸檔：

Hilti Entwicklungsgesellschaft mbH | Tool Certification | Hiltistrasse 6 | 86916 Kaufering, Germany

## 2 安全性

### 2.1 一般電動機具安全警告

**⚠ 警告** 請詳閱本電動機具提供的所有安全警告、指示、圖解和說明。未能遵守以下所有指示可能會造成電擊事故、火災和 / 或嚴重的傷害。

妥善保存所有警告及說明，以供將來參考。

注意事項中的「機具」係指使用電源（有線）或電池（無線）的電動機具。

#### 工作區域安全

- ▶ 請保持工作區的清潔與採光充足。雜亂而昏暗的工作區會導致意外發生。
- ▶ 勿在容易發生爆炸的環境中使用機具，例如有可燃性液體、瓦斯或粉塵存在的環境。機具產生的火花可能會引燃塵埃或煙霧。
- ▶ 操作機具時，請與兒童及旁人保持距離。注意力不集中時容易發生失控的情形。

#### 電力安全

- ▶ 機具插頭與插座須能互相搭配。勿以任何方式改裝插頭。勿將任何變壓器插頭和與地面接觸（接地）的電動機具搭配使用。未經改裝的插頭以及能互相搭配的插座可減少發生電擊的危險。
- ▶ 避免讓身體接觸到如管線、散熱器、爐灶與冰箱等與土地或地表接觸之物品。如果您的身體接觸到地表或地面，將增加電擊的危險。
- ▶ 請勿將機具曝露在下雨或潮濕的環境中。若水氣進入機具中將增加觸電的危險。
- ▶ 勿濫用電纜線。勿以電纜線吊掛、拖拉機具或拔下機具插頭。電纜線應避開熱氣、油、銳利的邊緣或移動性零件。電纜線損壞或纏繞會增加發生電擊事故的危險。
- ▶ 於室外操作機具時，須使用適用於戶外的延長線。使用適合戶外使用的延長線可降低觸電的風險。
- ▶ 如果無法避免在潮濕的地點操作機具，請使用漏電斷路器（RCD）保護電源供應器。使用漏電斷路器（RCD）可降低電擊的風險。

#### 人員安全

- ▶ 操作機具時，請提高警覺，注意進行中的工作並善用常識。感到疲勞或受到藥物、酒精或治療的影響時勿使用機具。操作機具時稍不留神就可能造成嚴重的人員傷亡。
- ▶ 穿戴個人防護裝備。請隨時穿戴眼罩。適當使用防塵面罩、防滑鞋、安全帽及耳罩等安全防護配備可減少人員的傷害。
- ▶ 避免不經意的啟動。在接上電源或電池組、抬起或攜帶機具之前，務必確認開關處於關閉的位置。攜帶機具時，如果把手指放在開關上，或在開關開啟時，將機具插上插頭容易發生意外。
- ▶ 啟動機具前，應將所有調整鑰匙或扳手移開。將扳手或鑰匙留在機具的旋轉零件中可能會造成人員傷害。
- ▶ 勿將手伸出過遠。隨時站穩並維持平衡。這可讓您在意外情況發生時，對機具有較好的控制。
- ▶ 穿著適當服裝。請勿穿著寬鬆的衣服或佩戴珠寶。頭髮、衣服與手套應遠離移動性零件。移動性零件可能會夾到寬鬆的衣服、珠寶或長髮。
- ▶ 如果機具可連接吸塵裝置與集塵設備，請連接並適當使用這些設備。使用集塵裝置可降低與粉塵有關的危險。
- ▶ 請勿因頻繁而習慣使用機具便疏於遵守或忽略機具的安全規範。草率使用可能在轉眼間便造成嚴重的傷害。

#### 機具使用與保養

- ▶ 不可強制使用機具。依據用途使用正確的機具。根據設計的速率使用機具可更快速安全地完成工作。
- ▶ 若開關無法啟動或關閉電動工具時，請勿使用電動工具。任何無法以開關控制的機具都很危險且需要維修。
- ▶ 在進行任何調整、更換配件、或貯放電動機具前，請先將插頭拔離插座和 / 或將電池組自電動機具卸下（如可拆卸）。此預防安全措施可降低機具意外啟動的風險。



2215649

繁體中文

177

- ▶ 將閒置的機具貯放在兒童拿不到的地方，勿讓不熟悉或未詳閱本說明的人員操作本機具。機具在未經訓練的使用者手中是很危險的。
- ▶ 維護機具與配件。請檢查移動性零件有無偏移或黏合的情形、零件有無破損，以及任何會影響機具運轉的狀況。如果機具受損，請先維修後再使用。很多意外便是由維護不當的機具造成的。
- ▶ 保持切割機具的銳利與清潔。具銳利切割邊緣的切割機具如果得到適當的維護，便較不會發生黏合的現象，且較容易控制。
- ▶ 遵守本指示說明使用機具、配件和工具組等，並考量工作條件與待進行的工作。將機具用在原目的之外之用途可能會造成危險。
- ▶ 保持握把與其表面的乾燥、清潔且不要讓上面出現油漬。握把及其表面濕滑會在意外情況中造成機具無法安全掌控。

#### 維修服務

- ▶ 請將機具交給合格的維修人員進行維修，並使用相同的替代零件。這可確保維護機具安全。

## 2.2 鑽石鑽孔安全性警告

- ▶ 當進行需要用水的鑽孔作業時，請將水導出操作員的工作區域或使用集水裝置。上述預防措施可保持操作員的工作區域乾燥，降低觸電的風險。
- ▶ 當所進行的工作，其切割配件可能會碰觸到隱藏配線或其自身的電線時，操作時請握住機具的絕緣握把。接觸「導電」電線，會導致機具暴露在外的金屬零件「導電」，使得操作人員遭受電擊。
- ▶ 鑽石鑽孔時請戴上耳罩。暴露於噪音環境中會導致聽力受損。
- ▶ 鑽頭卡住時，請停止下壓的力道並關閉機具。了解情況並採取更正措施，以消除造成鑽頭卡住的因素。
- ▶ 在工作中重新開始進行鑽石鑽孔前，應確認鑽頭能夠自由旋轉。鑽頭若卡住時可能無法啟動、造成機具過載、或造成鑽石鑽頭從工件上鬆脫。
- ▶ 若在工件上使用安卡或固定釘固定鑽孔機台，應確認採用固定方式足以支撐和控制運轉中的機具。若工件結構脆弱或有空洞，安卡可能會脫離而造成鑽孔機台從工件上鬆脫。
- ▶ 使用真空吸盤在工件上固定鑽孔機台時，請將吸盤安裝在平滑、乾淨且無空洞的表面。勿固定在層壓表面上，例如磁磚和複合塗層。若工件不平滑、不平整或不穩固，吸盤可能會從工件上脫離。
- ▶ 鑽孔時應確認吸力充足。如果吸力不足，吸盤可能會從工件上鬆脫。
- ▶ 除了向下鑽孔外，不得使用真空吸盤固定機具進行鑽孔。如果吸力消失，吸盤會從工件上鬆脫。
- ▶ 當鑽穿牆面或天花板時，請確認另一端的人員及工作場所受到妥善防護。鑽頭會從鑽孔處突出或是岩心可能會彈到另一端。
- ▶ 當向上鑽孔時，請務必使用說明指定的集水裝置。勿讓水流入機具中。流入機具的水會增加發生電擊事故的危險。

## 2.3 其他安全指示

#### 人員安全

- ▶ 請勿把玩或嘗試改裝本機具。
- ▶ 本機具不應由疲憊不堪且未受特殊訓練的人員使用。
- ▶ 將機具放在兒童拿不到的地方。
- ▶ 不可碰觸旋轉中零件。僅在將機具定位於工件位置上時，才能啟動電源。碰觸旋轉零件，特別是旋轉的配件，會導致受傷。
- ▶ 避免皮膚接觸鑽渣。
- ▶ 含鉛塗料、某些木材及含石英之混凝土 / 石材 / 石頭、礦物質或金屬等材料的粉塵均對身體有害。接觸或吸入粉塵可能導致操作員或旁觀者出現過敏反應和 / 或呼吸系統或其他疾病。像是橡木與山毛櫸木材的粉塵已列為致癌物質，尤其是當它們使用調濕塗料（鉻酸鹽、木材防腐劑）時。含石棉之材料僅可交由專業人員處理。請盡量使用強效的除塵系統。若要提高收集粉塵的效率，請使用Hilti建議機具專用且適合木材及 / 或礦物粉塵真空吸塵器。請確保工作場所所有良好的通風。建議穿戴適合過濾工作粉塵的口罩。請遵守適用您將進行作業之材料的相關法規。
- ▶ 本鑽石岩心鑽孔機具與鑽石岩心鑽頭為高重量的器材。機具運轉時會有被壓傷的風險。使用本機具時，使用者及附近人員均應穿戴適當之護目鏡、安全帽、耳罩、防護手套、防護鞋及輕型呼吸保護器。

#### 機具使用與保養

- ▶ 確認機具是否有確實固定在鑽孔機台中。
- ▶ 請務必確認鑽孔機台上有安裝終端固定器，否則會無法使用安全相關終端停止功能。
- ▶ 請檢查所使用的配件工具是否與機具的夾頭 / 驅動系統相容，且正確而穩固地裝入夾頭中。

#### 電力安全

- ▶ 請勿使用有多個插座的延長線為同時運作的多個裝置供電。
- ▶ 僅可在機具有連接到額定值相符且有接地線之電源時才可操作。





- ▶ 開始工作前，請先檢查工作區域（例如使用金屬探測器）以確保工作場所是否有隱藏的電纜線、瓦斯管或水管。若不小心損壞電線，機具上的外部金屬零件可能會導電。這會大幅增加發生觸電意外的危險。
- ▶ 確保滑動架前進時電源線未受損。
- ▶ 在未搭配漏電斷路器（PRCD）時，不得操作本機具（無PRCD之機具：在未裝有絕緣變壓器時，不得操作本機具）。請在每次使用前測試漏電斷路器（PRCD）。
- ▶ 請定期檢查機具電源線，並在發現損壞時，請合格的電力專員更換。若機具的電源線損壞，必須以Hilti顧客服務部門所提供並認可的專用電源線更換。定期檢查延長線，並在發現損壞時予以更換。當機具運轉時，如果發現電源線或延長線受損，請勿碰觸。請將電源線插頭自插座拔除。受損的電源線或延長線可能會有發生電擊的危險。
- ▶ 請勿在機具髒污或潮濕時進行操作。粉塵（特別是可導電材料所產生的粉塵）或機具表面的濕氣可能會造成電擊事故。因此，髒污或積著粉塵的機具應定期由Hilti維修中心檢查，尤其是當設備常使用於具傳導性材質時。

#### 工作場所

- ▶ 開始鑽孔前一定要得到現場工程師或其他任何有此專業授權人的許可。在建築物或結構體上進行鑽孔（尤其是對鋼樑及承重物件進行切割時）會影響結構的靜力平衡。
- ▶ 若鑽孔機台未確實固定，請務必將鑽孔機台上安裝的機具移到底以防止其落下。
- ▶ 電源絕緣線、延長線、水管和真空吸塵管要遠離機具中轉動的零件。
- ▶ 在高處進行濕式鑽孔時，一定要使用集水系統搭配濕式工業級真空吸塵器。
- ▶ 在向上進行鑽孔時，請勿以真空基座固定法作為固定機具的唯一方式。
- ▶ 在進行水平鑽孔作業時，使用真空基座固定法（配件）固定的機具須另外以其他方式固定鑽孔機台。

## 3 說明

### 3.1 用途

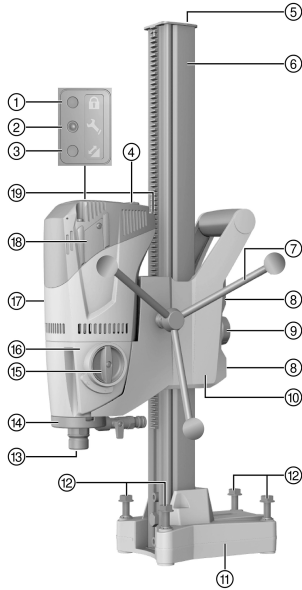
本文所述產品為電動式鑽石岩心鑽孔機具。設計用途為在（強化）礦物基材中運用鑽孔機台及濕式鑽孔技術進行通孔與盲孔鑽孔。本鑽石岩心鑽孔機具不可採用手持操作。

本文所述產品是針對專業使用者設計，故僅經訓練、認可的人員可操作、維修與維護本產品。必須告知上述人員關於可能遭遇到的特殊危險。若因未經訓練人員操作錯誤或未依照其原本的用途操作，則本產品和它的輔助工具設備有可能會發生危險。

- ▶ 使用鑽石岩心鑽孔機具時請務必搭配鑽孔機台。鑽孔機台必須使用安卡底盤或真空吸盤底座妥善固定於基材中。
- ▶ 請勿使用鐵鎚或其他重物來調整底盤。
- ▶ 機具操作時僅可使用符合型號識別牌上所指定的電壓和頻率。
- ▶ 遵守國家健康與安全要求。
- ▶ 遵守配件使用安全規則及操作說明。
- ▶ 為降低受傷的危險，僅可用Hilti原廠岩心鑽頭及配件。



## 3.2 零件及操作控制 1



### DD 120鑽心鑽頭鑽孔系統

- ① 防盜指示燈 (選配)
- ② 維修指示燈
- ③ 鑽孔性能指示燈
- ④ On/Off開關
- ⑤ 終端固定器
- ⑥ 滑軌
- ⑦ 手輪
- ⑧ 滑動架作動調整螺絲 (4個)
- ⑨ 滑動架鎖
- ⑩ 傳動滑塊
- ⑪ 安卡基架
- ⑫ 調平螺絲 (4個)
- ⑬ 夾頭
- ⑭ 水渦旋轉
- ⑮ 檔位開關
- ⑯ 齒輪區段
- ⑰ 馬達
- ⑱ 碳刷蓋
- ⑲ 具漏電斷路器 (PRCD) 的電源線

### 3.2.1 真空吸盤底座 (配件) 2

- ⑳ 夾緊軸
- ㉑ 真空管接頭
- ㉒ 壓力錶
- ㉓ 真空釋放閥
- ㉔ 真空密封裝置

### 3.2.2 固定配件 3

- ㉕ 夾緊軸
- ㉖ 安卡
- ㉗ 夾緊軸螺帽

### 3.2.3 集水系統 4

- ㉘ 集水器托盤
- ㉙ 集水器

## 3.3 維修指示燈

本產品配備維修指示燈LED。

## 3.4 配備及數量

鑽石岩心鑽孔機具、手輪、操作說明。

鑽孔機台採獨立單元提供。關於本產品，您可於當地Hilti Store或網站查詢其他經過認證可搭配使用的系統產品：[www.hilti.group](http://www.hilti.group)。

## 3.5 發電機或變壓器的使用

在滿足下列條件的情況下，本機具可由發電機或變壓器供電：發電機或變壓器的電力輸出必須至少為機具型號識別牌上所載之額定輸入電源的两倍，變壓器或發電機的操作電壓必須在機具額定電壓的+5 %與-15 %之間，而頻率必須為50至60 Hz且絕不可超過65 Hz，還有變壓器或發電機必須有具啟動輔助器的自動電壓調節器。



切換電動機具、機具或設備的開與關會造成過低電壓及 / 或過高電壓峰值，造成機具受損。



## 4 技術資料

### 4.1 技術資料

符合EPTA程序01的重量 (600 mm滑軌)	9.8 kg
最大允許水壓	6 bar
無負載時1檔的額定速度	740 rpm
無負載時2檔的額定速度	1,580 rpm
短滑軌鑽孔機台規格 (長 x 寬 x 高)	330 mm x 147 mm x 600 mm
中長度滑軌鑽孔機台規格 (長 x 寬 x 高)	330 mm x 147 mm x 720 mm
長滑軌鑽孔機台規格 (長 x 寬 x 高)	330 mm x 147 mm x 830 mm
防護等級	防護等級 (接地)

### 4.2 檔速及其對應的岩心鑽頭直徑



\* 機具的岩心鑽頭直徑標示於型號識別牌上。

在輕質強化混凝土上進行  $\varnothing 82$  mm (3 1/2 in) 鑽孔作業時，可使用第二檔位加快鑽孔速度。

檔位	岩心鑽頭直徑	怠速轉速
1	57 ... 132 (*162) mm	740 rpm
2	16 ... 52 mm	1,580 rpm

### 4.3 噪音資訊和震動值 (依據EN 62841)

操作說明中所提供之音壓和震動值已參照標準測量，並可用來比較不同機具之噪音。它們也可作為噪音量的初步評估。

提供之資料表示機具主要應用時之數值。若機具應用於不同之用途，搭配不同的配件工具或在保養不良的情況下，其數據會有所不同。在作業過程中，這會大幅提高其噪音量。

當機具關閉，或開啟但未進行任何作業時也應列入考量，才能準確評估噪音量。在作業過程中，這會大幅降低其噪音量。

確認其他安全措施，以保護操作員不受噪音和 / 或震動影響，例如：保養機具與其配件、操作前保持雙手溫暖、作業型式之安排等。

#### 噪音資訊

典型A加權聲功率級數	102 dB
典型A加權外洩音壓級數	89 dB
無法判定的音壓級數	3 dB

#### 震動值

混凝土鑽孔 (濕式)， $a_{h1}$	2.5 m/s <sup>2</sup>
無法判定 (K)	1.5 m/s <sup>2</sup>

## 5 工作場所的準備工作

### 警告

有受傷的危險！鑽孔機台若未確實固定則可能會轉動或翻覆。

- ▶ 使用鑽石岩心鑽孔機具前，請先將鑽孔機台用安卡或真空吸盤底座固定在工作面上。
- ▶ 請僅使用適合基材之安卡並遵守安卡製造商操作說明。
- ▶ 僅可在工作面上適合用真空吸盤固定鑽孔機台時才可使用真空吸盤底座。

### 5.1 將手輪安裝到鑽石岩心鑽孔機具上

1. 將固定栓拆下並將手輪裝到機軸上。



2215649

## 2. 插入固定柱將手輪固定。



手輪可安裝在滑動架的兩側。

## 5.2 將鑽石岩心鑽孔機具固定到鑽孔機台上 5

### 注意

**有受傷的危險** 鑽石岩心鑽孔機具意外啟動會造成危險。

- ▶ 鑽石岩心鑽孔機具在安裝時不可連接電源。

1. 使用六角扳手將內側的螺絲鬆開。
2. 將擋板從滑軌上拆下。
3. 將旋鈕朝開啟方向轉到底將滑動架鎖打開。
4. 使用出現的開口處將鑽石岩心鑽孔機具設在滑軌上。
5. 使用手輪將鑽石岩心鑽孔機具完全推到滑軌上。
6. 把滑動架鎖緊將鑽石岩心鑽孔機具上鎖。
7. 輕輕轉動手輪，檢查鑽石岩心鑽孔機具是否有鎖好。
8. 將擋板安裝到滑軌上並確認其是否有固定。



檢查滑動架作動情況；並視需要調整。→ 頁次 187

## 5.3 用安卡固定鑽孔機台 3

### 警告

**不當使用安卡的受傷風險！** 機具可能會斷裂鬆脫而造成損壞。

- ▶ 針對您所處理的材料，使用適合的安卡，並遵守安卡製造商的操作說明。



**Hilti** 金屬膨脹式安卡螺栓M12，通常適用於在完整的混凝土上固定鑽石岩心鑽孔設備。不過，在某些情況下可能需要使用替代的固定方式。如果您有安全固定相關的問題，請連絡**Hilti**技術服務部門。

1. 請將適用於基材之安卡設定在距鑽孔中心點約203 mm (8 in) 的位置。
2. 將夾緊軸以螺絲旋在安卡上。
3. 請將所有調平螺絲往回轉直到底盤與表面齊平。
4. 將鑽孔機台滑到夾緊軸上，然後對齊鑽孔機台。
5. 將夾緊軸螺帽固定在夾緊軸上，但切勿鎖太緊。
6. 藉著轉動4個調平螺絲來調平基架。



所有調平螺絲必須確實固定在表面上。

7. 以19 mm六角開口扳手旋緊夾緊軸螺帽將鑽孔機台固定。(SW 19)
8. 確認鑽孔機台有確實固定。

## 5.4 使用真空吸盤底座固定鑽孔機台 (配件)

### 危險

**若鑽石岩心鑽孔機具掉落則會有受傷的風險！**

- ▶ 不可僅用真空固定法將鑽孔機台安裝在天花板上。例如可使用重型支撐結構或螺紋轉軸作額外的固定。

### 警告

**若未確認壓力則會有受傷風險！**

- ▶ 鑽孔前或鑽孔過程中，請確認壓力錶的指針一直維持在綠色區域。





務必確定所選用的岩心鑽頭不會損傷真空吸盤底座。

放置鑽孔機台前，請確認有足夠空間可組裝及操作。

僅在搭配直徑  $\leq 300$  mm ( $\leq 12$  in) 的岩心鑽頭，且未安裝間隔片時才使用真空固定法。

1. 從鑽孔中心畫一條約800 mm (31.5 in) 的方向線，朝向並通過鑽石岩心鑽孔機具預定的位置。
2. 從距鑽孔中心203 mm (8 in) 的位置畫一條與方向線垂直相交的定位線。
3. 請將所有調平螺絲往回轉直到安卡底盤與表面齊平。
4. 將鑽孔機台滑過主軸固定到真空吸盤底座上。
  - ↳ 安卡基板位在與真空吸盤底座末端擋板齊平的位置。
5. 以19 mm六角開口扳手旋緊夾緊軸螺帽將鑽孔機台固定。SW 19
6. 將真空吸盤底座的接頭接到真空幫浦上。
7. 開啟真空幫浦並將真空吸盤底座壓到表面上。
8. 若要對齊鑽石岩心鑽孔機具，請壓住真空釋放閥。



使用安卡基板上的標誌及定位線進行校準。

9. 鬆開真空釋放閥並將真空吸盤底座壓到表面上。
10. 確認鑽孔機台有確實固定。
11. 將鑽石岩心鑽孔機具調平，並視需要轉動4個調平螺絲。

## 5.5 安裝水流連結管線 (配件)



### 注意

不當使用之風險！不當使用會對軟管造成無法修復的損壞。

- ▶ 定期檢查水管是否有受損，並注意勿超過最大水壓6 bar的規定。
- ▶ 確保管線未與旋轉中零件接觸。
- ▶ 確保滑動架前進時管線未受損。
- ▶ 最大水溫：40 °C。
- ▶ 檢查供水系統，確認沒有漏洞。



為避免損壞零件，僅可使用清潔無雜質的水。

流量計可插到機具與供水系統間作為配件。

1. 將水流調節器連接到鑽石岩心鑽孔機具上。
2. 連結水源供應裝置 (管線連結)。

## 5.6 安裝集水器系統 (配件)



### 警告

電擊的風險！若真空吸塵器系統故障，則水可能會流到馬達或蓋子上。

- ▶ 若真空吸塵器系統停止運作，請立即停止操作。



### 注意

有受傷的危險！產品意外啟動。

- ▶ 在調整機具或變更配件前，請先拔除電源線。



向上鑽孔時，鑽石岩心鑽孔機具必須與板子下方呈90°角。集水系統密封盤必須配合鑽石鑽頭直徑。

使用集水系統可控制將水流導離，避免造成周遭地區的嚴重污染。

1. 將螺絲從鑽孔機台上拆下。
2. 用螺絲將集水器座裝到鑽孔機台上。
3. 將已裝上密封裝置和集水器密封盤的集水裝置，放在集水器座兩個可移動的托盤臂間。
4. 藉由轉動集水器托架上的兩個螺絲，將集水器壓向工作面。
5. 將工業用的濕式真空吸塵器連接至集水器，或建立水管連線將水排出。



2215649

## 5.7 插入鑽石岩心鑽頭 (BI+夾頭) 7

### 危險


有受傷的危險 工件碎片或破損的彈圈夾具可能會飛出，對作業區外人員造成傷害。

- ▶ 請勿使用受損的彈圈夾具。每次使用彈圈夾具前，請檢查是否有缺口、裂縫或是嚴重磨損。

### 注意

有受傷的危險！產品意外啟動。

- ▶ 在調整機具或變更配件前，請先拔除電源線。

 若鑽石岩心鑽頭的切割效能或鑽孔速率大幅下降，請盡速更換岩心鑽頭。在這種情況下，鑽石碟片磨耗可能已讓厚度小於2 mm (1/16 in)。

C桿、A桿、M27與BR夾頭會需要一個27 mm六角開口扳手。SW 27

1. 把滑動架鎖緊將鑽石岩心鑽孔機具上鎖。
2. 將夾頭以「左括弧」方向轉動將其打開。
3. 從下方將鑽石岩心鑽頭的連接頭推至鑽石岩心鑽孔機具的夾頭標線中。
4. 將夾頭以「右括弧」方向轉動將其關上。
5. 確認岩心鑽頭已牢固地安裝在夾頭之中。

## 5.8 選擇速度 3

### 注意

磨損與破裂風險 齒輪損壞危險

- ▶ 機具轉動時，不得更換檔位。請等候直到軸心完全停止。

1. 依據所使用的鑽頭直徑，設定選擇器開關。
2. 將開關轉到建議的設定同時用手轉動岩心鑽頭。

## 5.9 拆卸鑽石岩心鑽頭 (BI+夾頭)

### 危險


有受傷的危險 工件碎片或破損的彈圈夾具可能會飛出，對作業區外人員造成傷害。

- ▶ 請勿使用受損的彈圈夾具。每次使用彈圈夾具前，請檢查是否有缺口、裂縫或是嚴重磨損。

### 注意

有受傷的危險！產品意外啟動。

- ▶ 在調整機具或變更配件前，請先拔除電源線。

 C桿、A桿、M27 SW 27或BR夾頭需要使用一個27 mm六角開口扳手將軸心上鎖，並需要一個適用之六角開口扳手將岩心鑽頭拆下。

1. 把滑動架鎖緊將鑽石岩心鑽孔機具上鎖。
2. 將夾頭 (BI+) 以左括弧方向將其打開。
3. 將套環往機具方向拉 (如箭頭所示) 將岩心鑽頭解鎖。
4. 將岩心鑽頭從夾頭 (BI+) 上卸下。

## 6 操作

### 6.1 TPS防盜系統 (選配)

本產品可裝設選配的TPS防盜系統。僅能以對應的TPS鑰匙解鎖及預備操作。

### 6.2 啟動配備有防盜系統 (TPS) 之機具

1. 將岩心鑽孔機具的電源線插入電源插座中。



2. 按下漏電斷路器 (PRCD) 上的「Reset」(重設) 或「I」按鈕。
  - ↳ 黃色防盜指示燈LED閃爍。
3. 將TPS啟動鑰匙固定在鎖定符號上。
  - ↳ 黃色防盜指示燈LED會熄滅而機具便會啟動。

若電源中斷，產品可維持操作準備就緒狀態約20分鐘。若中斷時間更久，則必須使用TPS啟動鑰匙再次將防盜系統啟動。

### 6.3 手提式漏電斷路器 (PRCD)

1. 將鑽石岩心鑽頭機具的主電源線插到接地的電源插座上。
2. 按下PRCD上的「I」或「RESET」按鈕。
  - ↳ 指示燈亮起。
3. 按下PRCD上的「0」或「TEST」按鈕。
  - ↳ 指示燈熄滅。

#### 警告

觸電造成的受傷風險！若按下0或TEST按鈕時漏電斷路器 (RCD) 的指示燈未熄滅，請不要繼續操作鑽石岩心鑽孔機具。

- ▶ 將鑽石岩心鑽孔機具送交Hilti維修中心維修。

4. 按下PRCD上的「I」或「RESET」按鈕。
  - ↳ 指示燈亮起。

### 6.4 不搭配濕式工業用真空吸塵器操作鑽石岩心鑽孔機具

1. 慢慢地打開水流調節器直到達到所需要的流速。

操作鑽石岩心鑽孔機具時可搭配或不搭配集水系統。搭配集水系統時，冷卻水會從軟管排出，無集水系統時則水會以未控管的方式排掉。搭配集水系統進行操作時，請先安裝集水系統 → 頁次 183。不論何種應用，均不可向上鑽孔。

2. 將ON/OFF開關推到「I」位置。
3. 鬆開滑動架鎖。
4. 轉動手輪直到鑽石岩心鑽頭碰觸工作面為止。
5. 開始鑽孔時，先輕壓直到岩心鑽頭置中後，再朝施工表面增加壓力。
6. 觀察鑽孔效能指示燈。

剛開始，鑽孔效能指示燈會亮橘燈。當鑽孔效能指示燈出現綠燈時，表示已達最佳鑽孔性能表現。若鑽孔效能指示燈出現紅燈，請降低施加在施工表面上的壓力。

### 6.5 搭配濕式工業用真空吸塵器操作鑽石岩心鑽孔機具

#### 警告

電擊的風險！若真空吸塵器系統故障，則水可能會流到馬達或蓋子上。

- ▶ 若真空吸塵器系統停止運作，請立即停止操作。

1. 安裝集水系統 → 頁次 183與連接濕式工業用真空吸塵器。
2. 啟動濕式工業用真空吸塵器；請勿使用自動模式。
3. 慢慢地打開水流調節器直到達到所需要的流速。
4. 將ON/OFF開關推到「I」位置。
5. 鬆開滑動架鎖。
6. 轉動手輪直到鑽石岩心鑽頭碰觸工作面為止。
7. 開始鑽孔時，先輕壓直到岩心鑽頭置中後，再朝施工表面增加壓力。
8. 觀察鑽孔效能指示燈。

剛開始，鑽孔效能指示燈會亮橙燈。當鑽孔效能指示燈出現綠燈時，表示已達最佳鑽孔性能表現。若鑽孔效能指示燈出現紅燈，請降低施加在施工表面上的壓力。



## 6.6 岩心鑽頭卡住時的處理程序

若鑽頭卡住，安全離合器會鬆開。電子控制系統接著會將馬達關閉，然後再次開啟；此動作會在無需使用者介入的情況下自動執行兩次。若岩心鑽頭仍無法鬆開，電子控制系統會關閉馬達90秒。您便可依以下方式手動將鑽頭鬆開：

### 6.6.1 使用六角開口扳手將岩心鑽頭鬆開

1. 請將電源線插頭自插座拔除。
2. 使用適當的六角開口扳手夾緊鑽石岩心鑽頭靠近連接端的位置，接著轉動鑽石岩心鑽頭便可鬆開。
3. 將電源線插頭插入插座。
4. 繼續鑽孔操作。

### 6.6.2 使用手輪鬆開岩心鑽頭

1. 請將電源線插頭自插座拔除。
2. 轉動手輪將岩心鑽頭從基材上鬆開。
3. 將電源線插頭插入插座。
4. 繼續鑽孔操作。

## 6.7 關閉鑽石岩心鑽孔機具 10

### 警告

有人員受傷和材料損壞的危險。在高處鑽孔時鑽頭會充滿水。鑽石岩心鑽孔機具會損壞且增加電擊風險。

▶ 首先，在完成高處鑽孔作業後，小心將水排離。可藉由自水流調節器切斷水源，且打開水流調節器排水，來完成本作業。不得讓水流經馬達和裝置蓋上。

1. 將水流調節器連接到鑽石岩心鑽孔機具上。
2. 將鑽頭自孔洞中移除。
3. 用滑動架鎖將鑽石岩心鑽孔機具鎖住。
4. 關閉鑽石岩心鑽孔機具。
5. 關閉濕式工業用真空吸塵器（如有使用）。

## 6.8 拆卸鑽石岩心鑽孔機具

1. 請將電源線插頭自插座拔除。
2. 請參閱標題為「拆卸鑽石岩心鑽頭」→ 頁次 184一節的鑽石岩心鑽頭拆卸說明。
3. 必要時，請拆下鑽頭。
4. 將鑽石岩心鑽孔機具從施工表面上卸下。



若將本系統以完整單元的方式卸下，建議在將其放下後讓機具沿滑軌移動直到岩心鑽頭與地面接觸為止。如此可避免鑽石岩心鑽孔機具翻覆。

## 7 維護和保養

### 7.1 維護和保養

#### 警告

觸電危險！電源線仍連接到電源插座時進行維護和保養會造成嚴重的傷害或灼傷。

▶ 進行維護及保養前，請務必拔下電源線。

#### 注意

- 小心地清除可能附著在零件上的灰塵。
- 請使用乾燥的刷子小心清潔通風口。
- 僅能使用微濕軟布清潔外殼。勿使用含硅樹脂的清潔或亮光劑，因為可能會造成塑膠零件損壞。

#### 維護

#### 警告

電擊的風險！損壞的電子零件會造成嚴重的人員傷害及灼傷。

▶ 機具或設備電力部分的維修僅可交由訓練過的電力專員處理。





- 定期檢查外部零件和控制元件有無損壞跡象，並確認它們運作正常。
- 如果有損壞跡象或任何零件功能故障，請不要操作本產品。請立即交由Hilti維修中心維修。
- 清潔及保養後，裝上所有防護套或保護裝置並檢查功能是否正常。

為確保操作的安全及可靠性，請務必使用原廠Hilti備件與耗材。您可以在 **Hilti Store** 或網站：選購Hilti認可的備件、耗材和配件。 [www.hilti.group](http://www.hilti.group)

## 7.2 調整滑軌和滑動架間的作動

1. 使用六角扳手將滑動架作動調整螺絲轉緊。

技術資料	
鎖緊扭力	5 Nm

2. 將調整螺絲轉回1/4圈，稍微鬆開。
3. 未安裝鑽石岩心鑽頭時，如果滑動架保持在原有位置，表示係正確安裝，但在安裝鑽石岩心鑽頭後會下移。

## 7.3 更換碳刷

### 警告

觸電造成的受傷風險！

- ▶ 本機具僅能讓經受訓的授權專業人員進行操作、維護和修理。必須告知上述人員任何可能遭遇到的特殊危險。

### 警告

觸電危險！電源線仍連接到電源插座時進行維護和保養會造成嚴重的傷害或灼傷。

- ▶ 進行維護及保養前，請務必拔下電源線。

1. 將馬達左右兩側的碳刷蓋開啟。
2. 安裝後注意碳刷作業情形，以及導體的定位情形。將磨損的碳刷從鑽石岩心鑽孔機具上卸下。
3. 安裝新的碳刷，並將其調至與舊碳刷相同的位置。

安裝碳刷時，小心避免損壞指示燈導線上的絕緣裝置。

4. 裝上馬達左右側的碳刷蓋。
5. 讓機具在無負載狀態下持續運作至少1分鐘無中斷，讓碳刷磨合。
  - ↳ 指示燈會在操作約1分鐘後熄滅。

## 8 搬運和貯放

### 運送

- ▶ 搬運本產品時請不要安裝配件工具。
- ▶ 確認在整個搬運過程中設備均有妥善固定。
- ▶ 搬運後，請務必檢查外部零件和控制元件有無損壞跡象，並確認它們運作正常。

### 設備的貯放

- ▶ 收納本產品時請務必將電源線從電源上拔掉。
- ▶ 請將產品貯放在乾燥且兒童或未授權的人員無法觸及的地點。
- ▶ 長時間貯放後，請務必檢查外部零件和控制元件有無損壞跡象，並確認它們運作正常。

### 8.1 搬運鑽石岩心鑽孔機具

#### 警告

有受傷的危險！零件可能會鬆脫而掉落。

- ▶ 請勿使用起重機抬起鑽石岩心鑽孔機具及 / 或鑽孔機台。
- ▶ 請將鑽石岩心鑽孔機具、鑽孔機台與岩心鑽頭等分開搬運。
  - ↳ 請利用滾輪總成（配件）輔助設備的搬運工作。
- ▶ 在收那鑽石岩心鑽孔機具之前，請先打開水流調節器。



2215649


## 9 故障排除

► 若您遇到未列出的問題或是無法自行排除的問題，請聯絡Hilti維修中心。

### 9.1 鑽石岩心鑽孔機具不能正常運作

故障	可能原因	解決方法
 維修指示燈未亮起。	漏電保護插座未開啟。	► 確認漏電保護插座是否有在運作並將其開啟。
	電源供應中斷。	► 將插頭插入另一電子機具或電器並檢查是否可啟動。 ► 檢查插頭連接、電源線、電源線路與主電源保險絲。
	ON / OFF開關故障。	► 應將機具交付Hilti維修中心進行維修。
	電子零件故障。	► 應將機具交付Hilti維修中心進行維修。
	馬達中有水。	► 讓鑽石岩心鑽孔機具在溫暖、乾燥的地方風乾。
 維修指示燈亮起。	碳刷磨耗完畢。	► 更換碳刷。→ 頁次 187
 維修指示燈閃爍。	馬達速度錯誤。	► 應將機具交付Hilti維修中心進行維修。
 鑽孔性能指示燈閃紅燈。	馬達過熱。	► 稍候幾分鐘，直到馬達冷卻或讓馬達在無負載的情況下運轉，以加速冷卻程序。將鑽石岩心鑽孔機具先關閉再開。
	過載錯誤。	► 將鑽石岩心鑽孔機具先關閉再開。
 防盜指示燈閃爍。	本鑽石岩心鑽孔機具未解鎖（機具裝配防盜系統）	► 使用TPS鑰匙將鑽石岩心鑽孔機具解鎖。

### 9.2 鑽石岩心鑽孔機具可以正常運作

故障	可能原因	解決方法
 維修指示燈亮起。	碳刷已接近磨耗限制。鑽石岩心鑽孔機具會繼續運作數小時後自動關機。	► 下次請更換碳刷。
鑽石岩心鑽孔機具未全效運作。	電力故障 - 發生電壓不足。	► 請與其他用電人員確認或將電源線路斷開。 ► 檢查使用的延長線長度。
鑽頭無法旋轉。	檔位選擇器未咬合。	► 操作檔位選擇器使其咬合。
	鑽石岩心鑽頭卡在基材中。	► 使用六角開口扳手鬆開鑽石岩心鑽頭：將電源線插頭拔離開插座。使用適當的六角開口扳手夾緊鑽石岩心鑽頭靠近連接端的位置，接著轉動它便可使鑽石岩心鑽頭鬆開。



故障	可能原因	解決方法
鑽頭無法旋轉。	鑽石岩心鑽頭卡在基材中。	機台引導式鑽孔 ▶ 請轉動手輪並將滑動架上下移動，嘗試將鑽石岩心鑽頭鬆開。
	齒輪故障。	▶ 應將機具交付Hilti維修中心進行維修。
鑽孔速度下降。	已達最大鑽孔深度。	▶ 卸下鑽心並使用延長鑽頭。
	鑽心卡在鑽石岩心鑽頭內。	▶ 卸下電源線。
	岩心鑽頭規格與基材不對應。	▶ 請選用更適合的鑽石岩心鑽頭規格。
	鋼材含量偏高（以清水含金屬碎屑的量表示）。	▶ 請選用更適合的鑽石岩心鑽頭規格。
	鑽石鑽頭故障。	▶ 檢查鑽頭是否損壞，必要時予以更換。
	選擇檔位錯誤。	▶ 請選擇正確的檔位。
	觸壓過低。	▶ 請增加觸壓。
	機具功率不足。	▶ 請選擇低一段的檔位。
	鑽石鑽頭已磨圓。	▶ 利用鑽入磨刀板的方式將鑽石岩心鑽頭磨利。
	水流量過高。	▶ 藉由調整水流調節器降低水流速率。
	水流量過低。	▶ 確認鑽石岩心鑽頭的供水，或是調整水流調節器將水流量增大。
	未啟動煞車。	▶ 鬆開制動器。
	安全離合器鬆開過快或滑脫。	▶ 應將機具交付Hilti維修中心進行維修。
手輪可無阻礙的轉動。	開口鎖破損。	▶ 更換開口鎖。
岩心鑽頭無法裝入夾頭。	鑽頭連接頭或夾頭髒污或損壞。	▶ 清潔並潤滑連接頭與（或）夾頭，或進行零件更換。
水渦旋轉或齒輪外殼漏水。	水壓過高。	▶ 降低水壓。
操作時夾頭漏水。	鑽石岩心鑽頭未確實鎖緊在夾頭中。	▶ 請將鑽石岩心鑽頭鎖緊。 ▶ 卸下岩心鑽頭。將鑽石岩心鑽頭旋轉約90°。重新裝上鑽石岩心鑽頭。
	鑽頭連接頭 / 夾頭髒污。	▶ 清潔並潤滑連接頭與（或）夾頭。
	夾頭密封或連接頭有瑕疵。	▶ 檢查密封裝置的狀況，必要時更換。
滑動系統過度使用。	鑽石岩心鑽頭未確實鎖緊在夾頭中。	▶ 請將鑽石岩心鑽頭鎖緊。 ▶ 卸下岩心鑽頭。將鑽石岩心鑽頭旋轉約90°。重新裝上鑽石岩心鑽頭。
	岩心鑽頭連接頭 / 夾頭故障。	▶ 檢查連接頭與夾頭，必要時予以更換。
	滑動架過度使用。	▶ 調整滑軌和滑動架間的作動。 → 頁次 187
	鑽孔機台上的螺絲 / 螺栓鬆脫。	▶ 檢查鑽孔機台上的螺絲 / 螺栓，必要時將其鎖緊。
	鑽孔機台未確實固定。	▶ 將鑽孔機台固定好。

## 10 廢棄設備處置

Hilti機具或設備所採用的材料大部分均可回收再利用。材料在回收前必須正確地分類。在許多國家中，您可以將舊機具及設備送回Hilti進行回收。詳情請洽Hilti維修中心，或當地Hilti代理商。



2215649

繁體中文

189



▶ 請勿將機具、電子設備或電池當作一般家用廢棄物處理！

### 10.1 鑽渣處置前的預先處理



對於鑽渣未有適當的預先處理，而直接流入河川、湖泊或下水道系統時，則可能造成環保問題。應向當地公家機關詢問目前的相關法規資訊。

1. 收集鑽渣（例如，使用濕式工業用真空吸塵器）。
2. 讓鑽渣沉澱，並將固態鑽渣置於建築廢棄物處理工地中（添加高分子凝集劑可加速分離的過程）。
3. 將廢水排入排水系統時，請先添加酸性中和劑或用大量水稀釋將廢水中和（鹼性， $\text{pH} > 7$ ）。

### 11 RoHS (有害物質限制指令)

按一下本連結可前往危險物質表：[qr.hilti.com/r3677](http://qr.hilti.com/r3677) (DD 120)。

您可在文件最後找到QR碼格式的RoHS表連結。

### 12 製造商保固

- ▶ 如果您對於保固條件有任何問題，請聯絡當地Hilti代理商。



# 1 文档信息

## 1.1 关于该文档

- 首次操作或使用前，请先阅读本文档。这是安全、无故障地操作和使用产品的前提条件。
- 请遵守本文档中以及产品上的安全说明和警告。
- 请务必将本操作说明与本产品保存在一起，确保将操作说明随产品一起交给他人。

## 1.2 使用符号的说明

### 1.2.1 警告

警告是为了提醒您在处理或使用此产品时会发生的危险。使用以下信号词：



危险！

- ▶ 用于让人们能够注意到会导致严重身体伤害或致命的迫近危险。



警告！

- ▶ 用于提醒人们注意可能导致严重或致命伤害的潜在危险。



小心！

- ▶ 用于提醒人们注意可能导致轻微人身伤害、设备损坏或其他财产损失的潜在危险情形。

### 1.2.2 文档中的符号

本文档中使用下列符号：

	请在使用之前阅读操作说明。
	使用说明和其他有用信息
	处理可回收材料
	不得将电气设备和电池作为生活垃圾处置

### 1.2.3 图示中的符号

图示中使用了下列符号：

	这些编号指本操作说明开始处的相应图示。
	图示中的编号反映操作顺序，可能与文本中描述的步骤不同。
	概览图示中使用了项目参考号，该参考号指的是产品概览部分中使用的编号。
	这些符号旨在提醒您在操作本产品时要特别注意的某些要点。

## 1.3 与产品相关的符号

### 1.3.1 “必做事项”标志

使用以下“必做事项”标志：

	戴上护目装置
	戴上安全帽
	请戴上护耳装置



	戴上防护手套
	穿上防护鞋
	戴上轻型呼吸防护装置

### 1.3.2 产品使用的符号

产品使用的符号如下：

	防盗保护指示灯
	维护指示灯
	钻孔性能指示灯
	保护性接地
$n_0$	空载下的额定转速
	无线数据传输

### 1.4 信息公告

在钻架、底座或金刚石取芯钻机上

	<p><b>在真空底座上</b></p> <p>图片的上半部分：当钻机采用真空固定方式进行水平钻孔时，必须再使用附加方式固定钻架。</p> <p>图片的下半部分：在向上钻孔时，严禁仅使用真空固定方法而不采用额外的紧固措施。</p>
	<p><b>在金刚石取芯钻机上</b></p> <p>在头顶上方作业时，必须使用集水系统和湿式工业真空吸尘器。</p>
	<p><b>在金刚石取芯钻机上</b></p> <p>仅当 PRCD 工作正常时，才可操作系统。</p>

### 1.5 产品信息

产品经设计适用于专业用户，只有经过专门训练的授权人员才允许操作、维修和维护本产品。必须将任何可能的危险专门告知该人员。不按照既定用途使用或由未经培训的人员不正确地使用本产品及其辅助设备可能会带来危险。

型号名称和序列号印在铭牌上。



- ▶ 在下表中填写序列号。在联系 Hilti 维修中心或当地 Hilti 机构询问产品时，将要求您提供产品的详细信息。  
产品信息

金刚石取芯钻机	DD 120
分代号	01
序列号	

## 1.6 符合性声明

按照我们单方面的责任，我们声明本产品符合下列适用指令和标准：一致性声明副本位于本文档结尾处。技术文档在此处归档：

Hilti Entwicklungsgesellschaft mbH | Tool Certification | Hiltistrasse 6 | 86916 Kaufering, Germany

## 2 安全

### 2.1 一般电动工具安全警告

**▲ 警告 请阅读本电动工具随附的所有安全警告、说明、图示和技术规范。不遵守下列所有操作说明可能会导致电击、火灾和/或严重人身伤害。**

请保存所有安全警告和操作说明，以供将来参考。

在所有下列的警告中术语“电动工具”指市电驱动(有线)电动工具或电池驱动(无线)电动工具。

#### 工作区域安全

- ▶ 保持工作区域清洁和良好照明。杂乱和黑暗的区域容易导致事故。
- ▶ 不要在爆炸性环境中操作电动工具，例如有易燃液体、气体或灰尘。电动工具会产生可以点燃这些灰尘或烟雾的火花。
- ▶ 在操作电动工具时，要令儿童和旁观者远离工作现场。万一分心，可能会使您失去对电动工具的控制。

#### 电气安全

- ▶ 电动工具(设备)插头必须匹配电源插座。切勿以任何方式改动插头。对于接地的电动工具(设备)，不要使用任何适配器插头。使用未经改动的插头和匹配的电源插座可以大大减少电击危险。
- ▶ 避免人体接触接地表面，如管道、散热片和冰箱。如果您的身体接地，则会增加电击危险。
- ▶ 不要将电动工具暴露在雨水或潮湿环境中。电动工具进水将会增加电击危险。
- ▶ 不要滥用电缆。切勿使用电缆运送、拉动或拔出电动工具。保持电缆远离高温、油、锋利边缘或运动部件。电缆损坏或缠绕会增加电击危险。
- ▶ 当在户外操作电动工具时，应使用经认可适合户外操作的加长电缆。使用适合户外使用的电缆可减少电击危险。
- ▶ 如果在潮湿环境下操作电动工具是不可避免的，应使用剩余电流动作保护器(RCD)。使用 RCD 可减小电击危险。

#### 人身安全

- ▶ 保持警觉，注意您正在进行的工作，并在操作电动工具的过程中，应利用自己的判断能力。当您疲劳或受到药物、酒精或医疗影响时，请不要使用电动工具。当操作电动工具时，瞬间的分心都可能导致严重的人身伤害。
- ▶ 使用个人防护装备。一定要戴上护目装置。安全装置，诸如适当条件下使用防尘面具、防滑安全鞋、安全帽、听力防护等装置能减少人身伤害。
- ▶ 防止电动工具意外启动。在连接至电源和/或电池组、拿起或搬运电动工具之前，应确保开关处于“关闭”位置。将手指放在开关上搬运电动工具或在开关处于“打开”位置时接通电源，都可能会导致事故发生。
- ▶ 在打开电动工具之前，必须拿掉任何调整键或扳手。让扳手或调整键留在电动工具的旋转部件上可能会导致人身伤害。
- ▶ 不要操之过急。应时刻保持正确的站姿和平衡。这在意外情况下能够更好地控制电动工具。
- ▶ 应确保正确着装。不要穿着松垮的衣服或佩戴首饰。让头发和衣服远离运动部件。松垮的衣服、首饰或长发卡在运动部件中。
- ▶ 如果提供有用于连接除尘和集尘设施的装置，应确保将它们连接好并正确使用。使用除尘装置可以减少与灰尘相关的危险。
- ▶ 经常使用工具能令您获得较高的熟练度，但不能因此掉以轻心和忽视工具安全准则。一次不慎操作就会在瞬间导致重伤。

#### 电动工具的使用和维护

- ▶ 不要强制使用电动工具。针对您的应用场合使用正确的电动工具。正确的电动工具在其额定设计值范围内将能够更好和更安全地工作。
- ▶ 如果通过开关不能使其打开和关闭，则请不要使用电动工具。任何不能通过开关进行控制的电动工具都是危险的，必须对其进行修理。



2215649

中文 193

- ▶ 在进行任何调整、更换配件或存放电动工具之前，应从电源上断开插头和/或从电动工具上拆下电池组（若可拆卸）。此预防性安全措施可减少意外启动电动工具的危险。
- ▶ 将不用的电动工具存放在儿童拿不到的地方，并且不要让不熟悉电动工具或其操作说明的人员操作电动工具。未经培训的用户操作电动工具是危险的。
- ▶ 维护电动工具和配件。检查是否存在运动部件失调或卡滞、部件断裂和任何其它影响电动工具操作的情况。如果存在损坏，则在使用之前应修理电动工具。许多事故都是由于电动工具维护不良造成的。
- ▶ 保持切削工具锋利和清洁。带锋利切削刃的切削工具如果维护得当，很少会发生卡滞且更容易控制。
- ▶ 按照使用说明书，考虑作业条件和进行的作业来使用电动工具、附件和工具的刀头等。将电动工具用于指定用途以外的场合会导致危险。
- ▶ 使手柄和抓握面保持干燥、清洁且没有油脂。如果手柄和抓握面打滑，将无法在意外情况下安全操作或控制本工具。

#### 保养

▶ 将您的电动工具送交专业维修人员，使用同样的备件进行修理。这样才能确保维持电动工具（设备）的安全性。

## 2.2 金刚石钻孔安全警告

- ▶ 执行需要用水的钻孔工作时，保持水远离操作员工作区域或使用液体收集装置。这些预防措施可保持操作员工作区域干燥以及降低电击的风险。
- ▶ 当执行切削配件可能接触到隐藏线束或电动工具自带电缆的操作时，应确保只能通过绝缘把手表面握住电动工具。如果切削配件接触“带电”导线，则会使电动工具的裸露金属部件“带电”，从而可能会电击到操作者。
- ▶ 在金刚石钻孔时，佩戴听力防护装备。如果直接暴露在噪音中，则会导致听力受损。
- ▶ 在钻头堵塞时，停止向下施加压力并关闭工具。查找并采取正确的纠正措施排除引起钻头堵塞的原因。
- ▶ 当在工件中重新启动金刚石钻孔时，启动前检查并确保钻头可自由旋转。若钻头堵塞，可能不能启动，可能使工具超负荷，或可能导致金刚石钻孔从工件上释放下来。
- ▶ 用钢筋和射钉将钻架固定至工件时，确保使用期间钢筋能够固定和控制住机器。若工件脆弱或多孔时，钢筋可能拉出导致钻架从工件上释放下来。
- ▶ 当用真空垫将钻架固定至工件时，将衬垫安装在光滑、清洁、无孔的表面上。不得固定至层压表面（例如瓷砖和复合涂层）。若工件不光滑、不平整或粘合欠佳，则将衬垫从工件上拉开。
- ▶ 在钻孔前和钻孔期间，确保有充足的真空。若真空不足，衬垫可能会从工件上释放下来。
- ▶ 当机器仅使用真空垫固定时，切勿执行钻孔，除非是向下钻孔。若真空损失，则衬垫将从工件上释放下来。
- ▶ 当在墙壁或天花板上钻孔时，确保保护另一侧的人员和工作区域。钻头将通过孔延伸，或取芯可能会掉落到另一侧。
- ▶ 在高处钻孔时，务必使用说明中规定的液体收集装置。不允许水流入工具中。电动工具进水将增加电击风险。

## 2.3 其他安全说明

#### 人身安全

- ▶ 不得擅自篡改或改装钻机。
- ▶ 本钻机不得由未接受特殊培训的身体虚弱的人员使用。
- ▶ 将钻机置于儿童接触不到的地方。
- ▶ 请勿触摸旋转部件。当且仅当钻机位于待加工的工件位置，方可接通钻机。接触旋转部件，特别是旋转起来的配套工具，会导致伤害。
- ▶ 避免皮肤接触钻孔泥浆。
- ▶ 一些材料产生的粉尘（例如含铅油漆、某些类型的木材以及含有石英、矿物或金属的混凝土/砖石/石块）可能对人体健康有害。接触或吸入这些粉尘会导致操作者或旁观者出现过敏性反应和/或呼吸类疾病。某些种类的粉尘还属于致癌物质，例如橡木和山毛榉粉尘，特别是在带木材调节添加剂（铬酸盐、木材防腐剂）时。仅允许专业人员处理包含石棉的材料。尽量使用比较高效的除尘系统。为了实现高水平的集尘效果，应使用 Hilti 推荐用于木材灰尘和/或矿物灰尘且搭配本电动工具使用的真空吸尘器类型。确保工作场所通风良好。建议佩戴适用于加工过程产生的灰尘类型的呼吸器。遵守适用于您所用材料的国家法规。
- ▶ 金刚石取芯钻机和金刚石取芯钻头很重。存在身体部位受到挤压的风险。使用本钻机时，用户及附近其他人员均必须配戴合适的护目镜、安全帽、耳罩、防护手套和防护鞋。

#### 电动工具的使用和维护

- ▶ 请确保钻机正确无误地紧固至钻架。
- ▶ 必须确保在钻架上安装终点挡块，否则无法实现与安全相关的终点止动功能。
- ▶ 确保配套工具与钻机的夹头/驱动系统兼容，且得到正确安装和固定。





## 电气安全

- ▶ 不得使用带多个电源出口的加长电缆为同时工作的两台或更多设备供电。
- ▶ 只有连接至配备接地导体且额定值适当的电源，才可操作本钻机。
- ▶ 在开始工作之前，应检查工作区域 (例如使用金属探测器) 以确保没有隐藏的电缆或煤气管和水管。钻机上的外部金属部件可能带电，如在误损电线的情况下。这会造成严重的电击危险。
- ▶ 确保滑架前进时不会损坏电源线。
- ▶ 在未配备随钻机提供的 PRCD 时，切勿操作钻机 (不带 PRCD 的钻机：在没有隔离变压器时切勿操作钻机)。在每次使用前，应测试 PRCD。
- ▶ 定期检查钻机的电源线，如果发现损坏，则让有资格的专业人员进行更换。如果钻机的电源线损坏，则必须用专门的备用电源线进行更换，这种专用电源线可从 Hilti 客户服务部门获取。定期检查加长电缆，如果发现损坏，则更换它们。在工作时，不要接触已损坏的电源线或加长电缆。将电源线插头从电源插座上断开。损坏的电源线或加长电缆会导致电击危险。
- ▶ 当钻机脏污或潮湿时，切勿使用它。在不利条件下，吸附到钻机表面的灰尘 (特别是导电材料产生的灰尘) 或湿气会导致电击危险。因此，应由 Hilti 维修中心定期检查钻机是否脏污或有灰尘，特别是在频繁用于导电材料作业时。

## 工作场所

- ▶ 在开始钻孔之前，必须获得现场工程师或建筑师的批准。对建筑物和其它结构执行钻孔作业会影响结构的静力平衡，特别是在钻穿钢筋或承重部件时。
- ▶ 如果钻架尚未正确紧固，务必一直向下移动安装在钻架上的钻机，以防止钻架翻倒。
- ▶ 保持电源线、加长电缆、软管和真空软管远离钻机的旋转部件。
- ▶ 在头顶上方进行湿钻作业时，必须使用集水系统和湿式工业真空吸尘器。
- ▶ 在向上钻孔时，严禁仅使用真空固定方法而不采用额外的紧固措施。
- ▶ 当钻机用真空固定方法 (配件) 固定以进行水平钻孔时，必须采取额外的措施来固定钻架。

## 3 说明

### 3.1 预期用途

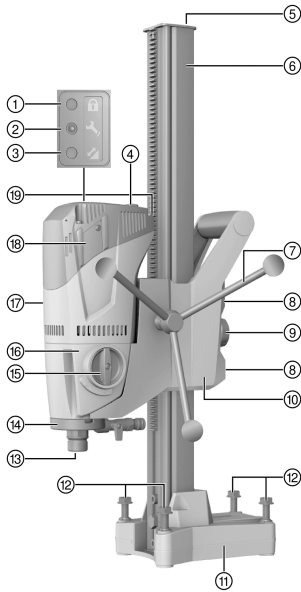
本文档所述产品为电动金刚石取芯钻机。本产品专门用于使用钻架和湿式钻孔技术在 (增强型) 矿物基材中钻取通孔和盲孔。严禁手持使用金刚石取芯钻机。

所述产品设计用于专业用途，只有经过专门训练的授权人员才允许操作、维修和维护本产品。须告知该等人员可能存在的危险。不按照既定用途使用或由未经培训的人员不正确地使用本产品及其辅助设备可能会带来危险。

- ▶ 使用金刚石取芯钻机时，务必使用钻架。钻架必须用锚底座或真空底座牢固固定在基材中。
- ▶ 请勿使用锤子或其它重物调节底座。
- ▶ 只有当相连电源的电压和频率符合电动设备铭牌上的给定信息时，才能运行本钻机。
- ▶ 遵守国家健康和安全要求。
- ▶ 遵守所用配件的安全规程和操作说明。
- ▶ 为降低伤害风险，仅限使用 Hilti 原装取芯钻头和配件。



### 3.2 部件和操作控制器 1



#### DD 120 金刚石取芯钻孔系统

- ① 防盗保护指示灯 (可选)
- ② 维护指示灯
- ③ 钻孔性能指示灯
- ④ “打开/关闭”开关
- ⑤ 终点挡块
- ⑥ 导轨
- ⑦ 手轮
- ⑧ 滑架间隙调节螺钉 (4x)
- ⑨ 滑架锁
- ⑩ 滑架
- ⑪ 锚底座
- ⑫ 校平螺钉 (4 个)
- ⑬ 夹头
- ⑭ 水旋转接头
- ⑮ 齿轮开关
- ⑯ 传动机构
- ⑰ 电动机
- ⑱ 碳刷盖
- ⑲ 带 PRCD 的电源线

#### 3.2.1 真空底座 (配件) 2

- ⑳ 夹紧主轴
- ㉑ 真空泄压阀
- ㉒ 真空软管接头
- ㉓ 真空密封
- ㉔ 压力计

#### 3.2.2 紧固配件 3

- ㉕ 夹紧主轴
- ㉖ 锚
- ㉗ 夹紧心轴螺母

#### 3.2.3 集水系统 4

- ㉘ 集水器支架
- ㉙ 集水器

### 3.3 维护指示灯

产品配备了一个维护指示灯 LED。

### 3.4 供货提供的部件：

金刚石取芯钻机、手轮、操作说明。

钻架单独出售。经认证可配合本产品使用的其它系统产品，可以通过您当地的 **Hilti Store** 购买或通过以下网址订购：[www.hilti.group](http://www.hilti.group)。

### 3.5 使用发电机或变压器

本钻机可以使用发电机或变压器进行供电，但必须满足以下条件：发电机或变压器的输出功率必须至少是钻机铭牌上所示额定输入功率的两倍；变压器或发电机的工作电压必须始终在钻机额定电压的 +5% 到 -15% 之间；频率必须在 50 到 60 Hz 之间，且不得超过 65 Hz；变压器或发电机必须有自动调压以及启动升压功能。

开启和关闭其它电动工具、钻机或电器时，可能会产生欠压和/或过压峰值，从而导致钻机损坏。



## 4 技术数据

### 4.1 技术数据

重量 (600 mm 导轨) 依照 EPTA 规程 01	9.8 kg
允许的最大供水压力	6 bar
无负荷状态下的额定转速, 一档	740 rpm
无负荷状态下的额定转速, 二档	1,580 rpm
带短导轨的钻架尺寸 (L x W x H)	330 mm x 147 mm x 600 mm
带中等长度导轨的钻架尺寸 (L x W x H)	330 mm x 147 mm x 720 mm
带长导轨的钻架尺寸 (L x W x H)	330 mm x 147 mm x 830 mm
保护等级	保护等级 I (接地)

### 4.2 档位和相应的取芯钻头直径



\*钻机铭牌上印有取芯钻头直径

在轻质钢筋混凝土上钻取直径达  $\varnothing 82$  mm (3 1/2 英寸) 的孔时, 使用二档进度更快。

齿轮	取芯钻头直径	怠速转速
1	57 ... 132 (*162) mm	740 rpm
2	16 ... 52 mm	1,580 rpm

### 4.3 噪音信息和振动值按照 EN 62841 标准

这些说明中给出的声压和振动值按照标准化测试的要求测得, 可用于比较一种电动工具与另一种电动工具。它们还可用于初步评价受振动影响的程度。

提供的数据代表本电动工具的主要应用。但是, 如果将电动工具用于不同的应用、使用不同的配套工具或维护不良, 则数据可能不同。这可能会显著增加操作者在整个工作期间受振动影响的程度。

对受振动影响程度的准确估计还应考虑当关闭电动工具或当它运行但实际未进行工作时情况。这可能会显著减小操作者在整个工作期间受振动影响的程度。

此外, 应确定附加安全措施, 以保护操作者免受噪音和/或振动影响, 例如: 正确维护电动工具和配套工具、保持双手温暖、制订合理的工作计划等。

#### 噪音信息

典型的 A 加权声功率级	102 dB
典型的 A 加权声压级	89 dB
给定声压级的不确定性	3 dB

#### 振动值

在混凝土中钻孔 (湿式), $a_n$	2.5 m/s <sup>2</sup>
不确定性 (K)	1.5 m/s <sup>2</sup>

## 5 工作现场的准备工作

### -警告-

谨防受伤! 如果没有牢固紧固, 钻架会发生旋转或倾翻。

- ▶ 在使用金刚石取芯钻机之前, 先使用锚或真空底座将钻架固定在工作表面上。
- ▶ 仅可使用适用于当前基材的锚, 并遵守锚制造商的说明。
- ▶ 只有工作表面适合通过真空方式固定钻架时, 才能使用真空底座。

### 5.1 将手轮安装在金刚石取芯钻机上

1. 拆下止动销并将手轮安装到轴上。



## 2. 插入止动销，以固定手轮。



手轮可以安装在滑架的任意一侧。

## 5.2 将金刚石取芯钻机固定到钻架上



-小心-

**伤害风险** 金刚石取芯钻机意外启动会带来危险。

▶ 安装期间，不应将金刚石取芯钻机连接至电源。

1. 用六角扳手将内侧的螺丝拧松。
2. 将终点挡块从导轨上取下。
3. 向打开方向将旋钮转到底，打开滑架锁。
4. 使用专用开孔，将金刚石取芯钻机安装在导轨上。
5. 使用手轮，将金刚石取芯钻机完全推至导轨上。
6. 完全拧紧滑架锁，以锁定金刚石取芯钻机。
7. 稍稍转动手轮，以检查金刚石取芯钻机是否锁定。
8. 将终点挡块安装在导轨上，并检查其是否牢固。



检查滑架间隙；如有必要进行调节。→ 页码 203

## 5.3 使用锚固定钻架



-警告-

**使用错误的锚有导致受伤的危险！** 钻机可能出现松动并造成损坏。

▶ 使用适合于当前材料的锚并遵守锚制造商的相关说明。



**Hilti 金属膨胀锚 M12 通常适合金刚石取芯钻机用于未开裂的混凝土。但是，在某些情况下，可能需要使用替代紧固方法。如对牢固紧固有任何疑问，请联系 Hilti 技术服务中心。**

1. 在距离钻孔中心点 203 mm (8 英寸) 处打入适用于基材的锚。
2. 将夹紧轴拧入锚中。
3. 底座与表面齐平后，卸下所有校平螺钉。
4. 将钻架滑到夹紧轴上并将其对准。
5. 将夹紧轴螺母拧到夹紧轴上，但不要拧紧。
6. 转动 4 个校平螺钉，校平底座。



所有校平螺钉必须牢牢地紧固在表面。

7. 使用 19 mm 开口扳手拧紧夹紧轴螺母，以固定钻架。(SW 19)
8. 检查钻架是否稳固。

## 5.4 用真空底座 (配件) 紧固钻架



-危险-

**金刚石取芯钻机掉落有导致人员受伤的危险！**

▶ 不允许仅通过真空固定方法将钻架紧固至天花板。例如，重型结构支撑或螺纹主轴可充当额外的紧固措施。



-警告-

**未检查压力值有导致人员受伤的危险！**

▶ 钻孔前和钻孔过程中，检查压力计指针是否处于绿色区域。





确保选用的取芯钻头不会损坏真空底座。

在定位钻架之前，检查并确认有充足的装配和操作空间。

真空紧固方法只能在取芯钻头直径不超过 300 mm (12 英寸) 且未安装垫片的情况下使用。

1. 从待钻孔的中心点开始，朝要放置金刚石取芯钻机的位置绘制一条长约 800 mm (31.5 英寸) 的标定线。
2. 绘制一条与标定线相交成直角且与待钻孔的中心点相距 203 mm (8 英寸) 的定位线。
3. 锚底座与表面齐平后，卸下所有校准螺钉。
4. 将钻架滑到主轴和真空底座上。
  - ↳ 锚底座固定时应与真空底座的终点挡块齐平。
5. 使用 19 mm 开口扳手拧紧夹紧轴螺母，以固定钻架。SW 19
6. 将真空底座上的真空接头连接至真空泵。
7. 打开真空泵并将真空底座按压在表面上。
8. 按住真空泄压阀不放，以对齐金刚石取芯钻机。



利用锚底座上的标记和定位线进行对齐。

9. 打开真空泄压泵并将真空底座按压在表面上。
10. 检查钻架是否稳固。
11. 校平金刚石取芯钻机，必要时转动 4 个校平螺钉。

## 5.5 安装水管接头 (配件)



**注意**

使用不当会造成危害！使用不当可能会对软管造成无法修复的损坏。

- ▶ 定期检查软管是否损坏，并确保未超过 6 bar 的最大允许供水压力。
- ▶ 确保软管不会接触到旋转部件。
- ▶ 确保在滑架前进时不会损坏软管。
- ▶ 最高水温：40 °C。
- ▶ 检查供水系统，确保没有泄漏。



为避免损坏部件，仅限使用不包含杂质的清洁水。

流量计可作为配件安装在钻机和供水系统之间。

1. 将水流量调节器连接至金刚石取芯钻机。
2. 连接供水系统 (软管接头)。

## 5.6 安装集水系统 (配件)



**-警告-**

电击危险！如果真空除尘系统出现故障，水可能会流到电机和电机盖上。

- ▶ 如果真空除尘系统停止工作，请立即停止操作。



**-小心-**

人身伤害的危险！产品意外启动。

- ▶ 对电动工具进行任何调节前或更换配件前，先拔出电源线插头。



为实现向上钻孔，金刚石取芯钻机必须与石板下侧成直角。集水系统密封盘必须与金刚石取芯钻头直径相匹配。

使用集水系统可使水以受控的方式被引走，从而防止周围区域受到严重污染。

1. 将螺钉从钻架上拆下。
2. 使用螺钉将集水器支架安装到钻架上。
3. 将装有密封件和集水器密封盘的集水器放在集水器支架的两个活动臂之间。
4. 通过转动集水器支架上的两个螺钉，将集水器压靠至工作表面。
5. 将湿式工业用真空吸尘器连接至集水器，或者连接一条用于排水的软管。



2215649

中文 199

## 5.7 插入金刚石取芯钻头 (BI+ 夹头)

### -危险-

**伤害风险** 工件或断裂插入工具的碎片可能会射出，并对极近操作区域之外的人员造成伤害。

- ▶ 不要使用损坏的插入工具。每次使用前，都应检查插入工具是否破碎、开裂或严重磨损。

### -小心-

**人身伤害的危险！** 产品意外启动。

- ▶ 对电动工具进行任何调节前或更换配件前，先拔出电源线插头。



当切削性能和/或钻孔进度显著下降时，必须更换金刚石取芯钻头。当金刚石某些部分磨损至小于 2 mm (1/16 英寸) 时，通常需要这样做。

对于 C-Rod、A-Rod、M27 和 BR 夹头，必须使用 27 mm 开口扳手。SW 27

1. 完全拧紧滑架锁，以锁定金刚石取芯钻机。
2. 朝开括号的方向转动夹头 (BI+)，以将其打开。
3. 从下面将金刚石取芯钻头的连接端推入取芯钻机上夹头的花键中。
4. 朝闭括号的方向转动夹头，以将其闭合。
5. 检查并确认金刚石取芯钻头在夹头中牢固就位。

## 5.8 选择转速

### -小心-

**磨损风险 传动机构损坏风险**

- ▶ 当机器正在运行时请勿改变档位。等待锚完全停止。

1. 根据所用的取芯钻头直径设置档位选择开关。
2. 将开关转动到推荐设置，同时手动转动取芯钻头。

## 5.9 取出金刚石取芯钻头 (BI+ 夹头)

### -危险-

**伤害风险** 工件或断裂插入工具的碎片可能会射出，并对极近操作区域之外的人员造成伤害。

- ▶ 不要使用损坏的插入工具。每次使用前，都应检查插入工具是否破碎、开裂或严重磨损。

### -小心-

**人身伤害的危险！** 产品意外启动。

- ▶ 对电动工具进行任何调节前或更换配件前，先拔出电源线插头。



对于 C-Rod、A-Rod、M27 SW 27 或 BR 夹头，需要使用 27 mm 开口扳手锁定心轴，并使用合适的开口扳手取出取芯钻头。

1. 完全拧紧滑架锁，以锁定金刚石取芯钻机。
2. 朝开括号的方向转动夹头，将其打开 (BI+)。
3. 如箭头所示，朝钻机方向拉动衬套，以拆下取芯钻头。
4. 将金刚石取芯钻头从夹头 (BI+) 中取出。

## 6 操作

### 6.1 TPS 防盗保护系统 (选装)

产品可选装 TPS 防盗保护系统。如果电动工具配备了此选装系统，则只能使用相应的 TPS 键才可令其解锁并做好操作准备。



## 6.2 启用配备防盗保护系统 (TPS) 的钻机

1. 将金刚石取芯钻机的电源线插头插入电源插座。
2. 按下 PRCD 上的“Reset”或“i”按钮。
  - 黄色防盗保护指示灯 LED 开始闪烁。
3. 将 TPS 键直接对准锁定符号。
  - 黄色防盗保护指示灯 LED 熄灭，钻机随即启用。



如果电源中断，则产品将保持在就绪状态约 20 分钟。如果断电时间较长，则必须使用 TPS 键再次停用防盗保护系统。

## 6.3 便携式剩余电流装置 (PRCD)

1. 将金刚石取芯钻机的电源插头插入带接地保护的电源插座。
2. 按下 PRCD 上的“i”或“RESET”按钮。
  - 指示灯亮起。
3. 按下 PRCD 上的“0”或“TEST”按钮。
  - 指示灯熄灭。

### 警告

电击有导致人员受伤的危险！按下 **0** 或 **TEST** 按钮时，如果接地故障断路器上的指示灯没有熄灭，请勿继续操作金刚石钻孔机。

▶ 由 Hilti 维修中心对您的金刚石取芯钻机进行维修。

4. 按下 PRCD 上的“i”或“RESET”按钮。
  - 指示灯亮起。

## 6.4 操作未配备湿式工业真空吸尘器的金刚石取芯钻机

1. 慢慢打开水流量调节器，直到水流达到所需的速度。



无论是否配备集水系统，均可操作金刚石取芯钻机。如果配备集水系统，冷却水通过软管排出；如果未配备集水系统，冷却水则自然流出。要在操作时附带集水系统，应首先安装集水系统 → 页码 199。  
以上两种应用均不允许进行向上钻孔作业。

2. 将“打开/关闭”开关推至“i”位。
3. 打开滑架锁。
4. 转动手轮，直到金刚石取芯钻头接触工作表面。
5. 开始钻孔时，应仅轻微施压，直到取芯钻头自己对中，然后向工作表面增加压力。
6. 观察钻孔性能指示灯。



开始时，钻孔性能指示灯显示为橙色。当钻孔性能指示灯显示为绿色时，表示达到最佳钻孔性能。如果钻孔性能指示器显示为红色，则应降低工作表面的压力。

## 6.5 操作配备湿式工业真空吸尘器的金刚石取芯钻机

### 警告

电击危险！如果真空除尘系统出现故障，水可能会流到电机和电机盖上。

▶ 如果真空除尘系统停止工作，请立即停止操作。

1. 安装集水系统 → 页码 199 并连接湿式工业真空吸尘器。
2. 打开湿式工业用真空吸尘器；请勿使用自动模式。
3. 慢慢打开水流量调节器，直到水流达到所需的速度。
4. 将“打开/关闭”开关推至“i”位。
5. 打开滑架锁。
6. 转动手轮，直到金刚石取芯钻头接触工作表面。
7. 开始钻孔时，应仅轻微施压，直到取芯钻头自己对中，然后向工作表面增加压力。



## 8. 观察钻孔性能指示灯。



开始时，钻孔性能指示灯显示为橙色。当钻孔性能指示灯显示为绿色时，表示达到最佳钻孔性能。如果钻孔性能指示器显示为红色，则应降低工作表面的压力。

### 6.6 取芯钻头卡住时的操作步骤

如果钻头卡住，安全离合器将会脱离。电子控制系统会关闭电机，然后使其重启；在无需用户干预的情况下，这一操作将执行两次。如果仍不能取出钻头，电子控制系统将关闭电机 90 秒。你可按照以下操作手动取出卡住的钻头：

#### 6.6.1 使用开口扳手取出取芯钻头

1. 从电源插座上拔掉电源线插头。
2. 使用合适的开口扳手夹住金刚石取芯钻头（靠近连接端），转动金刚石取芯钻头以将其取出。
3. 将电源线插头插入电源插座。
4. 恢复钻孔操作。

#### 6.6.2 转动手轮以取出取芯钻头

1. 从电源插座上拔掉电源线插头。
2. 转动手轮，将取芯钻头从基材中取出。
3. 将电源线插头插入电源插座。
4. 恢复钻孔操作。

### 6.7 关闭金刚石取芯钻机



#### -警告-

**人身伤害和物质损失风险** 在头顶上方钻孔过程中，金刚石取芯钻头会充水。金刚石取芯钻机可能损坏，电击风险增加。

► 在完成头顶上方钻孔后，作为第一步，应小心地让水排尽。这可通过断开水流量调节器的供水然后打开水流量调节器让水排走来完成。请勿让水溢出电动机和盖罩。

1. 将水流量调节器连接至金刚石取芯钻机。
2. 从孔中移出金刚石取芯钻头。
3. 使用滑架锁锁定金刚石取芯钻机。
4. 关闭金刚石取芯钻机。
5. 关闭湿式工业用真空吸尘器（如果使用）。

### 6.8 金刚石取芯钻机的拆卸

1. 从电源插座上拔掉电源线插头。
2. 有关拆卸金刚石取芯钻头的说明，请参阅“金刚石取芯钻头的拆卸” → 页码 200 一节。
3. 必要时拆下取芯。
4. 从工作表面上拆下金刚石取芯钻机。



如果整体拆除本系统，则将系统放下后，最好沿轨道一直运行钻机，直至取芯钻头接触到地面。这有助于防止金刚石取芯钻机发生倾倒。

## 7 维护和保养

### 7.1 维护和保养



#### -警告-

**电击危险！** 如果试图在电源线连接电源插座的情况下执行保养和维护，则会导致严重受伤和烫伤。

► 执行维护和保养任务之前，请务必拔下电源线。

#### 保养

- 仔细清除可能粘附在部件上的所有污垢。
- 使用干燥的刷子小心清洁通风孔。
- 请仅使用略湿的布清洁壳体。不要使用含硅清洁剂，否则可能腐蚀塑料件。





## 维护

### -警告-

**电击危险！** 电气部件的不当维修会造成包括灼伤在内的严重人身伤害。

- ▶ 工具或设备的电气系统只能由受过培训的电气专业人员进行维修。
- 定期检查所有可见部件和控制器是否出现损坏迹象，确保其全部正常工作。
- 如果发现损坏迹象或如果有部件发生故障，不要操作本产品。应立即送交 **Hilti** 维修中心进行维修。
- 清洁和维护之后，安装所有防护罩或保护装置，检查并确认其正常工作。



为确保安全和可靠的操作，仅限使用喜利得原装备件和消耗品。Hilti 批准用于配合产品使用的备件、消耗品和配件可到您当地的 **Hilti Store** 购买或通过以下网址在线订购：[www.hilti.group](http://www.hilti.group)。

## 7.2 调整导轨和滑架之间的间隙。

1. 使用六角扳手拧紧滑架间隙调节螺钉。

技术数据	
拧紧力矩	5 Nm

2. 稍微拧松调节螺钉 1/4 圈。
3. 如果滑架在未安装金刚石取芯钻头时保持在位，但在安装有金刚石取芯钻头时向下移动，则表示滑架已正确调节。

## 7.3 更换碳刷

### -警告-

**电击有导致人员受伤的危险！**

- ▶ 钻机只能由经过授权和培训的人员进行操作、维护和修理。必须将任何可能的危险都特别告知该人员。

### -警告-

**电击危险！** 如果试图在电源线连接电源插座的情况下执行保养和维护，则会导致严重受伤和烫伤。

- ▶ 执行维护和保养任务之前，请务必拔下电源线。

1. 打开电机左右两侧的碳刷盖。
2. 记住碳刷如何安装以及导体如何定位。从金刚石取芯钻机上拆下磨损的碳刷。
3. 安装新碳刷，将其定位在与之前安装的旧碳刷完全相同的位置。



当插入碳刷时，注意避免损坏指示灯导线上的绝缘层。

4. 旋上电动机左侧和右侧上的碳刷盖。
5. 钻机空负荷持续运转至少 1 分钟，以磨合碳刷。
  - ▶ 运行约 1 分钟后，指示灯熄灭。

## 8 运输和存放

### 运输

- ▶ 运输本产品时，其上不得安装有配套工具。
- ▶ 请确保产品在整个运输过程中牢牢固定。
- ▶ 完成运输后，务必检查所有可见部件和控制器是否有损坏迹象，确保其全部正常工作。

### 存放

- ▶ 存放本产品时，务必从电源插座上拔下电源线。
- ▶ 将本产品存放在儿童或非授权人员无法接近的干燥位置。
- ▶ 本产品长期闲置后，务必检查所有可见部件和控制器是否有损坏迹象，确保其全部正常工作。

### 8.1 金刚石取芯钻机的运输

#### -警告-

**谨防受伤！** 部件可能会发生松动并掉落。

- ▶ 请勿用起重机提升金刚石取芯钻机和/或钻架。



2215649

- ▶ 请独立运输金刚石取芯钻机、钻架和金刚石取芯钻头。
  - ↳ 运送设备时，将滚轮总成 (配件) 用作辅助工具。
- ▶ 在存放金刚石取芯钻机之前，打开水流量调节器。


## 9 故障排除

- ▶ 如果您碰到的问题未在此表中列出或您无法自己实施补救措施，请联系 **Hilti** 维修中心。

### 9.1 金刚石取芯钻机不在正常运转状态

故障	可能原因	解决方案
 维护指示灯不显示任何内容。	PRCD 没有开启。 电源中断。 “打开/关闭” 开关有故障。 电子装置发生故障。 电机内进水。	<ul style="list-style-type: none"> <li>▶ 确认 PRCD 功能正常并开启。</li> <li>▶ 接上另一电动工具或设备并检查它是否工作。</li> <li>▶ 检查插头连接、电源线、供电线路和总电源保险丝。</li> <li>▶ 应尽快将钻机交由 Hilti 维修中心进行维修。</li> <li>▶ 应尽快将钻机交由 Hilti 维修中心进行维修。</li> <li>▶ 使金刚石取芯钻机在温暖、干燥的地方完全晾干。</li> </ul>
 维护指示灯亮起。	碳刷已磨损。	<ul style="list-style-type: none"> <li>▶ 更换碳刷。→ 页码 203</li> </ul>
 维护指示灯闪烁。	电动机速度错误。	<ul style="list-style-type: none"> <li>▶ 应尽快将钻机交由 Hilti 维修中心进行维修。</li> </ul>
 钻孔性能指示灯呈红色闪烁。	电机过热。	<ul style="list-style-type: none"> <li>▶ 等待几分钟至电机冷却，或使金刚石取芯钻机无负荷运转，以加快冷却过程。关闭金刚石取芯钻机，然后再次打开。</li> </ul>
	过载错误。	<ul style="list-style-type: none"> <li>▶ 关闭金刚石取芯钻机，然后再次打开。</li> </ul>
 防盗保护指示灯闪烁。	金刚石取芯钻机尚未解锁 (配有可选防盗保护系统的机型)。	<ul style="list-style-type: none"> <li>▶ 使用 TPS 键解锁金刚石取芯钻机。</li> </ul>

### 9.2 金刚石取芯钻机在正常运转状态

故障	可能原因	解决方案
 维护指示灯亮起。	碳刷几乎达到磨损极限。金刚石取芯钻机将继续运转几小时，直至自动停机。	<ul style="list-style-type: none"> <li>▶ 在下次有合理机会时更换碳刷。</li> </ul>
金刚石取芯钻机无法实现全部性能。	供电网络故障 - 出现欠压。	<ul style="list-style-type: none"> <li>▶ 检查其他电力用户是否中断了网络或发电机供电。</li> <li>▶ 检查所用的延长线的长度。</li> </ul>
金刚石取芯钻头不旋转。	档位选择开关未接合。	<ul style="list-style-type: none"> <li>▶ 操作档位选择开关直至接合。</li> </ul>



故障	可能原因	解决方案
金刚石取芯钻头不旋转。	金刚石取芯钻头卡在基材中。	<ul style="list-style-type: none"> <li>▶ 使用开口扳手释放金刚石取芯钻头：将电源线插头从电源插座上断开。使用适当的开口扳手夹住金刚石取芯钻头（靠近连接端），并通过旋转释放金刚石取芯钻头。</li> </ul>
		标准导向钻孔 <ul style="list-style-type: none"> <li>▶ 转动手轮并通过上下移动滑架试图释放金刚石取芯钻头。</li> </ul>
	传动装置有故障。	▶ 应尽快将钻机交由 Hilti 维修中心进行维修。
钻孔速度下降。	已达到最大钻孔深度。	▶ 去除取芯并使用取芯钻头加长件。
	取芯卡在金刚石取芯钻头中。	▶ 去除取芯。
	用于基材的取芯钻头的规格不正确。	▶ 选择更适合的金刚石取芯钻头规格。
	含钢量高（通过含金属切屑的清水指示）。	▶ 选择更适合的金刚石取芯钻头规格。
	金刚石取芯钻头有故障。	▶ 检查金刚石取芯钻头是否损坏并在必要时更换。
	选择的档位不正确。	▶ 选择正确的档位。
	接触压力过低。	▶ 增加接触压力。
	钻机电量过低。	▶ 选择低一档运行。
	金刚石取芯钻头锋口被磨钝。	▶ 将金刚石取芯钻头钻入磨板中将其磨快。
	水流量过高。	▶ 通过调节水流量调节器降低水流量。
	水流量过低。	▶ 检查金刚石取芯钻机的供水源，或通过调节水流量调节器增加水流量。
	已施加制动。	▶ 释放制动器。
	安全离合器过早脱开或出现滑动。	▶ 应尽快将钻机交由 Hilti 维修中心进行维修。
手轮可以不受任何阻力地转动。	开口销损坏。	▶ 更换开口销。
金刚石取芯钻头不能装入夹头中。	取芯钻头连接端或夹头脏污或损坏。	▶ 清洁并润滑连接端和 / 或夹头或更换这些零部件。
水从水旋转接头或传动机构壳体处溢出。	水压力过高。	▶ 降低水压力。
在操作过程中，水从夹头处溢出。	金刚石取芯钻头没有安全固定在夹头中。	<ul style="list-style-type: none"> <li>▶ 安全固定金刚石取芯钻头。</li> <li>▶ 拆下取芯钻头。沿着金刚石取芯钻头本身的轴旋转大约 90°。重新安装金刚石取芯钻头。</li> </ul>
	取芯钻头连接端 / 夹头脏污。	▶ 清洁并润滑连接端和 / 或夹头。
	位于夹头或连接端上的密封件有故障。	▶ 检查密封件并在必要时进行更换。
钻孔系统间隙过大。	金刚石取芯钻头没有安全固定在夹头中。	<ul style="list-style-type: none"> <li>▶ 安全固定金刚石取芯钻头。</li> <li>▶ 拆下取芯钻头。沿着金刚石取芯钻头本身的轴旋转大约 90°。重新安装金刚石取芯钻头。</li> </ul>
	取芯钻头连接端 / 夹头有故障。	▶ 检查连接端和夹头并在必要时进行更换。
	滑架间隙过大。	▶ 调整导轨和滑架之间的间隙。 → 页码 203



故障	可能原因	解决方案
钻孔系统间隙过大。	钻架上的螺钉 / 螺栓松动。	▶ 检查钻架上的螺钉 / 螺栓是否紧固，必要时固定它们。
	钻架紧固不充分。	▶ 更安全地固定钻架。

## 10 废弃处置

大部分用于 Hilti 工具和设备生产的材料是可回收利用的。在可以回收之前，必须正确分离材料。在很多国家，您的旧工具、机器或设备可送至 Hilti 进行回收。敬请联系 Hilti 服务部门或您的喜利得公司代表获得更多信息。



- ▶ 不得将电动工具、电子设备或电池作为生活垃圾处置！

### 10.1 有关钻孔泥浆废弃处置的预处理

未经过适当的预处理就将钻孔泥浆直接排入河流、湖泊或污水系统中会带来自然环境问题。有关最新的规定信息，请咨询当地政府当局。

1. 收集钻孔泥浆 (例如使用湿式工业真空吸尘器)。
2. 使钻孔泥浆沉积下来，然后在建筑废物处理场处理固体材料 (添加絮凝剂可加快沉积过程)。
3. 必须先通过添加酸性中和剂对剩余的水 (碱性，pH 值 > 7) 进行中和或使用大量的水进行稀释，然后才允许其流入污水系统。

## 11 RoHS (有害物质限制)

单击链接跳转到有害物质表：[qr.hilti.com/r3677](http://qr.hilti.com/r3677) (DD 120)。

文档末尾以二维码形式提供指向 RoHS 表的链接。

## 12 制造商保修

- ▶ 如果您有保修条件方面的问题，请联系您当地的 Hilti 公司代表。





**Hilti Corporation**  
Feldkircherstraße 100  
9494 Schaan | Liechtenstein

**DD 120 (01)**

[2006]

2006/42/EC

EN 62841-1

2014/30/EU

EN 62841-3-6

2011/65/EU

EN 55014-1:2017

EN 55014-2:2015

EN 61000-3-2:2014

EN 61000-3-3:2013

Schaan, 18.09.2018

**Paolo Luccini**

Head of Quality and Process Management  
BA Electric Tools & Accessories

**Johannes Wilfried Huber**

Senior Vice President  
Business Unit Diamond









Hilti Corporation  
LI-9494 Schaan  
Tel.:+423 234 21 11  
Fax:+423 234 29 65  
[www.hilti.group](http://www.hilti.group)



2215649